

# Custom Installation Guide





Welcome to our 'toolbox' guide to the range of Monitor Audio's custom installation speakers

# What's in the tool box

You'll see we've been busy in developing a wide variety of designs rich in technology and innovation, created to make the job of specifying and installing great sound around the home easier and ultimately more rewarding. On the following pages you'll find clear and concise information on each series of speakers, including Monitor Audio's new distributed music and theatre-specific flush-mount speaker solutions, arranged by type and size on spreads, with an introduction to features and benefits on the left and detailed specifications on the right. At a glance, you'll be able to match individual speakers with the required application, see the fitting specifications and discover the depth of technology within each model. We also explain the innovation that makes installation easier, more reliable and secure.

Thank you for your interest in Monitor Audio's custom speaker range.

# Contents

<b>Timbre Matching Guide</b>	1 - 2
------------------------------	-------

## **Inceiling:**

Directed Theatre 200 Series: 6 1/2" & 8" model	3 - 4
--	-------

Distributed Sound: 5" model	5 - 6
-----------------------------	-------

Distributed Sound 100 & 200 Series: 6 1/2" model	7 - 8
--	-------

Distributed Sound 100 & 200 Series: 8" model	9 - 10
--	--------

Controlled Performance Backbox models	11 - 18
---------------------------------------	---------

## **Inwall:**

Controlled Performance Backbox models	19 - 26
---------------------------------------	---------

## **Onwall:**

All weather loudspeaker	27 - 28
-------------------------	---------

## **Installation accessories:**

Construction brackets	29
-----------------------	----

# Timbre-matching Guide

## At home with great sound

In over thirty years, Monitor Audio has become synonymous with high performance, technical excellence, innovation and superior aesthetic design. Our heritage of investment in high-end metal driver and cabinet technology is powerfully expressed by a versatile award-winning range of speakers, which sets class-leading standards of sonic excellence and aesthetic appeal. Our now legendary attention to detail ensures that we build the complete loudspeaker for every application, as truthful and transparent as possible.

We invest as much care, expertise and research in the smallest loudspeaker as we do in the grandest. In every case, the materials and technology we apply are broadly similar, endowing each speaker with the same accurate tonal signature. Irrespective of architecture or interior design, Monitor Audio's range gives you the freedom to supply high quality sound from a versatile mix of floor, stand, wall and flush-mounted speakers. With Monitor Audio, a home can look and sound beautiful.

The Timbre-match Guide - illustrating the perfect blend of custom installation & hi-fi speakers for optimal performance.

	RST®	C-CAM® Tweeter	C-CAM® Driver	MMP®II	IDC	CP	ABR	Tri-Grip	H.F	M.F	Boundary	Timbre-Matched Range
Directed Theatre 200 Series	●	●	●		●			●	●		●	RS-CP & Silver RS hi-fi
Pro-IC		●		●								Radius-CP, 100 Series, Climate 10, Bronze BR & Radius hi-fi
Distributed Sound 200 Series		●	●					●	●		●	RS-CP & Silver RS hi-fi
Distributed Sound 100 Series		●		●				●	●			BR-CP, Radius-CP, Climate 10, Bronze BR & Radius hi-fi
Distributed Sound 100 Series T2												BR-CP, Radius-CP, Climate 10, Bronze BR & Radius hi-fi
165T2		●		●				●				
180T2		●		●				●	●			
GS-CP	●	●	●			●			●	●		Gold Signature GS hi-fi
RS-CP		●	●			●			●			200 Series & Silver RS hi-fi
BR-CP		●		●		●						Radius-CP, 100 Series, Climate 10, Bronze BR & Radius hi-fi
Radius-CP		●		●		●						BR-CP, 100 Series, Climate 10, Bronze BR & Radius hi-fi
Climate 10		●		●			●					BR-CP, Radius-CP, 100 Series, Bronze BR & Radius hi-fi

## United by Technology

### RST®



Our most refined technology, the RST cone surface is patterned with either concentric dimples or radial ridges, which further reduces mass, increases stiffness and eliminates the bending associated with conventional metal cone designs. The result is a smoother, more agile response, better control of break-up and a wider dynamic range. RST is employed by the 'Directed Theatre' in-ceiling models, the GS-CP in-ceiling and in-wall models, and the Gold Signature range of hi-fi loudspeakers.

### C-CAM® tweeters



Advanced software simulation has allowed us to optimise the tweeter design, bringing higher sensitivity and a wider bandwidth to reveal the finest high frequency detail all the way up to 30kHz. We've developed a sophisticated new chamber with graduated damping, which controls undesirable resonances for a smoother more accurate response.

### C-CAM® drivers



Developed over many years, C-CAM is used as a cone material for all high frequency drivers, and deployed for mid-range and bass drivers in our mid-market and top-of-the-range CI and hi-fi speakers. Created originally by aerospace engineers for jet-engine blades, Ceramic-Coated Aluminium/Magnesium exhibits ideal acoustic properties, being extremely strong but very light in weight. Conventional cone materials are liable to flex in operation, producing a significant level of audible distortion.

### MMP® MkII



An advance in driver technology developed from Monitor Audio's original Metal Matrix Polymer cone material. It uses a high-pressure injection moulding process to achieve different thicknesses at critical points of the cone geometry. MMP® MkII provides better stiffness, consistency and tighter production tolerances resulting in superior sonic performance.

### IDC



This Inverted Dual Concentric pivoting mid-range/tweeter module provides up to 18 degrees of movement allowing speakers to be discreetly positioned and directed towards the desired listening zone. The design offers superior performance and flexibility over a typical 2-way or fixed angle speaker by utilising an inverted 4" C-CAM RST mid-range and 1" C-CAM dome tweeter. This operates in a completely sealed chamber to provide accurate damping and perfect acoustic alignment.

### CP



No sound installation is ever the same. CP stands for Controlled Performance, because each CP in-ceiling or in-wall product is fitted with its own rigid mineral filled enclosure allowing the acoustics to be optimised every time. This ensures that its exceptional sound remains consistent wherever it is fitted.

### ABR



This auxiliary bass radiator uses a substantially rigid panel member mounted on a flexible rubber surround so as to allow the panel member when in use to move in harmony with sound waves within the enclosure. This enriches low frequencies with extra punch and penetration exceeding that of a typical ported or sealed cabinet system. Completely hermetically sealed the use of an ABR prevents any ingress of dirt or moisture into the cabinet unlike a typical open ported system.

### Tri-Grip



Our innovative Tri-Grip system has three clamping points per dog-leg providing three times the surface area and a better surface seal maximising base response and mid-range clarity. This design also features a cam allowing the clamp to move smoothly as the installer tightens the mounting screw. With the first turn the dog-leg begins to move out/down simultaneously, not depending on a friction snap action that snaps the dog-leg out before it moves down the dog-leg tower.

### High Frequency Switching



Factory set to 0dB, this offers a sonic balance as the designer intended. However in environments with a high degree of soft furnishings it may be desirable to lift the H.F level to the +3dB setting to achieve a neutral sonic balance. In a minimalist environment it may be necessary to drop the H.F level to -3dB position.

### Mid Frequency Switching



Factory set to 0dB, this offers a sonic balance as the designer intended. However in environments with a high degree of soft furnishings it may be desirable to lift the M.F level to the +3dB setting to achieve a neutral sonic balance. In a minimalist environment it may be necessary to drop the M.F level to -3dB position.

### Boundary Switching



Factory set to off, the Boundary Switch enables use of the lower frequency performance when installed away from room boundaries, specifically corners. If it is necessary to install into the corner of a room, the boundary compensation switch can be used in order to reduce the artificial base boom associated with corner installations.

# Inceiling

## Directed Theatre 200 Series 6<sup>1/2</sup>" & 8" models



### For discreet theatre-based applications

#### Introduction

A new generation of pivoting LCR 'Directed Theatre' in-ceiling loudspeakers, designed to offer discreet theatre based applications improved flexibility and higher performance.

C265-LCR - a compact 3-way unit featuring a 6.5" C-CAM® bass driver for use in discreet theatre or music based applications.

C280-LCR - a compact 3-way unit featuring an 8" C-CAM® bass driver for use in discreet theatre or music based applications.

#### Features Summary

- Unique IDC dual concentric mid-range/ HF module offering up to 18 degrees of pivot in all directions. Easily directed during post install set-up
- C-CAM® drivers throughout, providing coherent tonal balance and sonic signature across the entire audio frequency spectrum
- Special Inverted C-CAM® RST® profile mid-range cone provides improved dispersion pattern
- True 3-way designs
- High overall efficiency
- High frequency level adjustment ( $\pm 3$ dB)
- Boundary compensation control
- Timbre-match with RS-CP in-ceiling/wall and Silver RS hi-fi speakers
- All models feature our patented Tri-Grip fixing clamps. Our 'three-dogleg' Tri-Grip fixing clamps take 25% less time to install than conventional 'four-dogleg' clamping speakers. The Tri-Grip mounting clamps have three clamping points per dogleg providing twice the clamping surface area than conventional four-dogleg, single-point clamping speakers. Our wider three-point clamps provide a better seal between the speaker and ceiling maximizing bass response and midrange clarity.
- Aluminium alloy grilles offer rust-free performance and longevity. They are non magnetic and lighter in weight
- All models are paint-able to blend with the living environment. A paint mask and additional scrim material are provided for trouble free painting
- All models use fire retardant materials specified to UL-94 VO rating
- All models are splash and humidity proof for installation in shower rooms or pool areas
- All models feature dust protection covers that are designed to prevent the ingress of dirt or dust into the driver and crossover

#### Technology Key:



C-CAM® Ceramic-Coated Aluminium Magnesium (C-CAM®) is an innovative alloy that exhibits the ideal mechanical properties for use in high performance loudspeaker cones and diaphragms. It is extremely rigid, yet remains light enough to yield high overall efficiency.



RST® Rigid Surface Technology: a regular pattern of dimpled impressions on the cone's surface which eliminates bending, increasing stiffness and lower mass when compared with conventional cone designs. The result is a much faster response, offering music reproduction that is closer to the original performance.



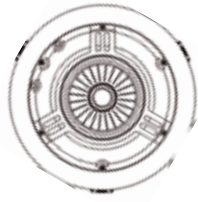
IDC A unique Inverted Dual Concentric pivoting mid-range/tweeter module providing up to 18 degrees of play. It allows speakers to be discreetly positioned, and the sound directed toward the desired listening zone by a pivoting action. The design offers superior performance and flexibility over typical 2-way or fixed angle speaker designs.



Tri-Grip The Tri-Grip fixing takes 25% less time to install than the conventional 'four-dog' clamping speakers.



# C265-LCR

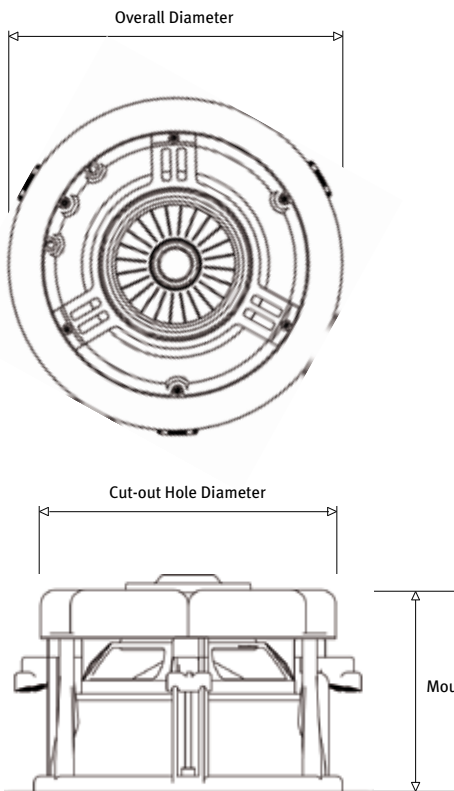


## IDC driver module



An inverted 4" C-CAM RST mid-range and 1" C-CAM dome tweeter operate in a completely sealed chamber to provide accurate damping and perfect acoustic alignment. The midrange driver uses an over-sized 38mm edge-wound voice coil to provide high overall power handling and efficiency. The module covers a wide frequency range from 250Hz to 30kHz for clear vocal intelligibility and accurate imaging.

## Dimensions



### Frequency Response

60 Hz - 30 Hz

### Impedance (nominal)

6 Ohms

### Sensitivity (1W@1M)

88.5 dB

### Maximum SPL

108 dBA

### Power Handling (R.M.S)

85 W

### Recommended Amp

10 - 85 W

### Crossover Frequency/Slope

Bass low pass: 250 Hz @ 6 dB/Octave

Mid: 250 Hz @ 6 dB/Octave &

3 KHz @ 12 dB/Octave

H.F. 3 KHz @ 12 dB/Octave

### Driver

1 x 6.5" C-CAM® cone bass driver

Dual concentric module housing:-

1 x 4" C-CAM® 'inverted' mid-range driver (IDC™)

1 x 1" (25 mm) C-CAM® gold alloy dome tweeter

### Overall Diameter

250 mm (9 13/16 inch)

### Overall Depth

152 mm (6 inch)

### Cut-out Hole Diameter

211 mm (8 5/16 inch)

### Mounting Depth

147 mm (5 13/16 inch)

### Controls

+3dB / 0dB / -3dB

High Frequency level switch &  
Boundary compensation switch

### Fixing Type

3 position Tri-Grip dog fixings

### Cable Connection

Gold plated 'push' type terminals

### Construction Material

Mineral filled ABS plastic (UL-94 VO)

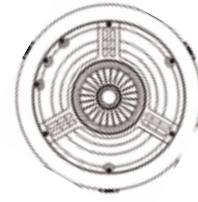
### Pre-construction Bracket

CB6 (Purple)

### Weight Kg (lb)

3.46 Kg (7.6 lbs)

# C280-LCR



### Frequency Response

50 Hz - 30 Hz

### Impedance (nominal)

6 Ohms

### Sensitivity (1W@1M)

90 dB

### Maximum SPL

111.6 dBA

### Power Handling (R.M.S)

120 W

### Recommended Amp

15 - 120 W

### Crossover Frequency/Slope

Bass low pass: 250 Hz @ 6 dB/Octave

Mid: 250 Hz @ 6 dB/Octave &

3 KHz @ 12 dB/Octave

H.F. 3 KHz @ 12 dB/Octave

### Driver

1 x 8" C-CAM® cone bass driver

Dual concentric module housing:-

1 x 4" C-CAM® 'inverted' mid-range driver (IDC™)

1 x 1" (25 mm) C-CAM® gold alloy dome tweeter

### Overall Diameter

286 mm (11 1/4 inch)

### Overall Depth

159 mm (6 4/16 inch)

### Cut-out Hole Diameter

247 mm (9 3/4 inch)

### Mounting Depth

154 mm (6 1/16 inch)

### Controls

+3dB / 0dB / -3dB

High Frequency level switch &  
Boundary compensation switch

### Fixing Type

3 position Tri-Grip dog fixings

### Cable Connection

Gold plated 'push' type terminals

### Construction Material

Mineral filled ABS plastic (UL-94 VO)

### Pre-construction Bracket

CB8 (Green)

### Weight Kg (lb)

4.4 Kg (9.7 lbs)

# Inceiling

## Distributed Sound 5" MMP®II driver



### For music or in multiples for home theatre

#### Introduction

A highly flexible 2-way 5" in-ceiling speaker with pivoting tweeter brings to custom installers the ultimate discrete architectural loudspeaker.

The Pro-IC features an open back design to allow this ultra slim speaker to fit into the most demanding and compact spaces. Simple quick installation is enhanced by the high-quality gold plated push terminals and effective 'dog' style fixings.

Pro-IC - featuring an 5" MMP®II bass driver and C-CAM® tweeter for use in stereo for music, or in multiples for home theatre.

#### Technology Key:



Ceramic-Coated Aluminium Magnesium (C-CAM®) is an innovative alloy that exhibits the ideal mechanical properties for use in high performance loudspeaker cones and diaphragms. It is extremely rigid, yet remains light enough to yield high overall efficiency.

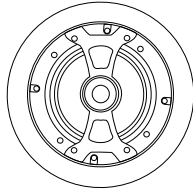


Metal Matrix Polymer (MMP®) driver cones are made from a polymer loaded with metallic particles that provide rigidity and high overall efficiency. A high-pressure injection moulding process is used to achieve a different thickness at critical points in the cone geometry for better stiffness, consistency, and tighter production tolerances resulting in superior sonic performance.

#### Features Summary

- 2-way designs with pivoting 20mm C-CAM® gold dome tweeter and 5" MMP®II bass-mid driver
- Timbre-match with 100 Series, Radius-CP, BR-CP, Climate 10 and Bronze BR and Radius Series hi-fi speakers
- All models are paint-able to blend with the living environment. A paint mask and additional scrim material are provided for trouble free painting
- All models use fire retardant materials specified to UL-94 VO rating
- All models are splash and humidity proof for installation in shower room or pool areas

# Pro-IC



## Frequency Response

60 Hz - 25 kHz

## Impedance (nominal)

6 Ohms

## Sensitivity (1W@1M)

88 dB

## Maximum SPL

88 dBA

## Power Handling (R.M.S)

70 W

## Recommended Amp

5 - 60 W

## Bass Alignment

Open back driver

## Drive Unit Complement Bass

1 x 5" MMP® II bass driver

## Drive Unit Complement Tweeter

Pivoting 20 mm (1 inch) C-CAM®

Gold Alloy Dome

## Overall Diameter

214 mm (8 7/16 inch)

## Overall Depth

86.5 mm (3 13/32 inch)

## Cut-out Hole Diameter

173 mm (6 13/16 inch)

## Mounting Depth

82 mm (3 7/32 inch)

## Controls

N/A

## Fixing Type

4 position 'dog' type fixings

## Cable Connection

Gold plated 'push' type terminals

## Construction Material

Mineral filled ABS plastic (UL- 94 V0)

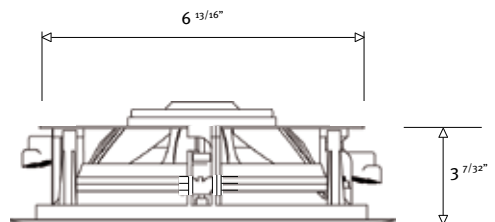
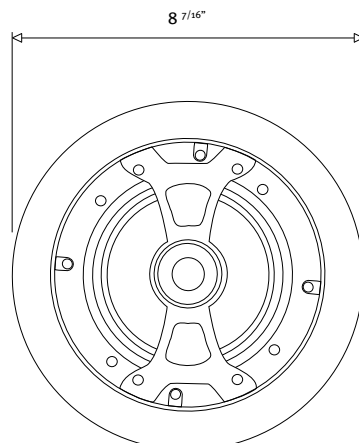
## Pre-construction Bracket

CB5 (Blue)

## Weight Kg (lb)

1.25 Kg (2.8 lbs)

## Dimensions



# Inceiling

## Distributed Sound 100 & 200 Series 6<sup>1/2</sup>" models



### For music or in multiples for home theatre

#### Introduction

A range of 2-way 6.5" in-ceiling speakers with pivoting tweeters, available in a choice of performance levels. For their footprint, they offer the biggest bass driver size of any speaker in their class, providing a convincing full-range sound in a wide range of locations.

C165 - featuring a 6.5" MMP®II bass driver and C-CAM® tweeter for use in stereo for music, or in multiples for home theatre.

C165-T2 - a single stereo unit with a 6.5" MMP®II dual wound voice coil bass driver and independent pivoting C-CAM® tweeters for high quality sound in general applications or where space is at a premium.

C265 - featuring a 6.5" C-CAM® bass driver and higher spec C-CAM® tweeter for a seamlessly accurate sonic signature across a wide frequency bandwidth in high quality music applications or in multiples for home theatre. Includes boundary compensation control.

#### Features Summary

- 2-way designs with pivoting C-CAM® tweeters (15 degrees of play)
- High overall efficiency
- High frequency level adjustment ( $\pm$  3dB) (except T2 models)
- Timbre-match with RS-CP and Silver RS hi-fi speakers (200 Series), BR-CP, Radius-CP, Climate 10 and Bronze BR and Radius Series hi-fi speakers (100 Series)
- All models feature our patented Tri-Grip fixing clamps. Our 'three-dogleg' Tri-Grip fixing clamps take 25% less time to install than conventional 'four-dogleg' clamping speakers. The Tri-Grip mounting clamps have three clamping points per dogleg providing twice the clamping surface area than conventional four-dogleg, single-point clamping speakers. Our wider three-point clamps provide a better seal between the speaker and ceiling maximizing bass response and midrange clarity.
- Aluminium alloy grilles offer rust-free performance and longevity. They are non magnetic and lighter in weight
- All models are paint-able to blend with the living environment. A paint mask and additional scrim material are provided for trouble free painting
- All models use fire retardant materials specified to UL-94 VO rating
- All models are splash and humidity proof for installation in shower room or pool areas
- All models feature dust protection covers that are designed to prevent the ingress of dirt or dust into the driver and crossover

#### Technology Key:

**C-CAM®** Ceramic-Coated Aluminium Magnesium (C-CAM®) is an innovative alloy that exhibits the ideal mechanical properties for use in high performance loudspeaker cones and diaphragms. It is extremely rigid, yet remains light enough to yield high overall efficiency.

**MMP®II** Metal Matrix Polymer (MMP®) driver cones are made from a polymer loaded with metallic particles that provide rigidity and high overall efficiency. A high-pressure injection moulding process is used to achieve a different thickness at critical points in the cone geometry for better stiffness, consistency, and tighter production tolerances resulting in superior sonic performance.

**Tri-Grip** The Tri-Grip fixing takes 25% less time to install than the conventional 'four-dog' clamping speakers.

# C165



**Frequency Response**  
60Hz - 25Hz

**Impedance (nominal)**  
6 Ohms

**Sensitivity (1W@1M)**  
88.5dB

**Maximum SPL**  
107.4 dBA

**Power Handling (R.M.S)**  
65 W

**Recommended Amp**  
10 - 65 W

**Driver**  
1 x 6.5" MMP<sup>®</sup>II 'cone bass driver  
1 x 1" C-CAM<sup>®</sup> pivoting gold dome tweeter

**Overall Diameter**  
250 mm (9 13/16 inch)

**Overall Depth**  
117 mm (4 10/16 inch)

**Cut-out Hole Diameter**  
211 mm (8 5/16 inch)

**Mounting Depth**  
112 mm (4 7/16 inch)

**Controls**  
+3db / 0dB / -3dB  
High Frequency level switch

**Fixing Type**  
3 position Tri-Grip dog fixings

**Cable Connection**  
Gold plated 'push' type terminals

**Construction Material**  
Mineral filled ABS plastic (UL-94 VO)

**Pre-construction Bracket**  
CB6 (Purple)

**Weight Kg (lb)**  
2.9 Kg (6.4 lbs)

# C165-T2



**Frequency Response**  
60Hz - 25Hz

**Impedance (nominal)**  
6+6 Ohms

**Sensitivity (1W@1M)**  
89dB

**Maximum SPL**  
107.9 dBA

**Power Handling (R.M.S)**  
65 W

**Recommended Amp**  
10 - 65 W

**Driver**  
1 x 6.5" MMP<sup>®</sup>II 'cone bass driver  
2 x 1" C-CAM<sup>®</sup> pivoting gold dome tweeter

**Overall Diameter**  
250 mm (9 13/16 inch)

**Overall Depth**  
117 mm (4 10/16 inch)

**Cut-out Hole Diameter**  
211 mm (8 5/16 inch)

**Mounting Depth**  
112 mm (4 7/16 inch)

**Fixing Type**  
3 position Tri-Grip dog fixings

**Cable Connection**  
Gold plated 'push' type terminals

**Construction Material**  
Mineral filled ABS plastic (UL-94 VO)

**Pre-construction Bracket**  
CB6 (Purple)

**Weight Kg (lb)**  
3.0 Kg (6.6 lbs)

# C265



**Frequency Response**  
60Hz - 30 Hz

**Impedance (nominal)**  
6 Ohms

**Sensitivity (1W@1M)**  
88.5dB

**Maximum SPL**  
108 dBA

**Power Handling (R.M.S)**  
75 W

**Recommended Amp**  
10 - 75 W

**Driver**  
1 x 6.5" C-CAM<sup>®</sup> cone bass driver  
1 x 1" C-CAM<sup>®</sup> pivoting gold dome tweeter

**Overall Diameter**  
250 mm (9 13/16 inch)

**Overall Depth**  
117 mm (4 10/16 inch)

**Cut-out Hole Diameter**  
211 mm (8 5/16 inch)

**Mounting Depth**  
112 mm (4 7/16 inch)

**Controls**  
+3db / 0dB / -3dB High Frequency level switch &  
boundary compensation switch

**Fixing Type**  
3 position Tri-Grip dog fixings

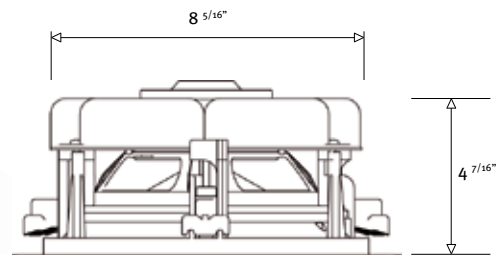
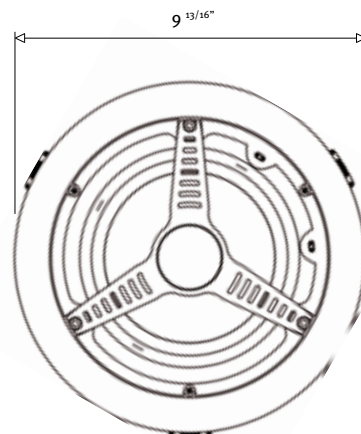
**Cable Connection**  
Gold plated 'push' type terminals

**Construction Material**  
Mineral filled ABS plastic (UL-94 VO)

**Pre-construction Bracket**  
CB6 (Purple)

**Weight Kg (lb)**  
2.9 Kg (6.4 lbs)

## Dimensions



# Inceiling

## Distributed Sound 100 & 200 Series 8" models



### For music or in multiples for home theatre

#### Introduction

A range of 2-way 8" in-ceiling speakers with pivoting tweeters, available in a choice of performance levels. For their footprint, they offer the biggest bass driver size of any speaker in their class, providing a convincing full-range sound in a wide range of locations.

C180 - featuring an 8" MMP II bass driver and C-CAM® tweeter for use in stereo for music, or in multiples for home theatre.

C180-T2 - a single stereo unit with an 8" MMP®II dual wound voice coil bass driver and independent pivoting C-CAM® tweeters for high quality sound in general applications or where space is at a premium

C280 - featuring a C-CAM® tweeter and higher spec 8" C-CAM® bass driver for a seamlessly accurate sonic signature across an ultra-wide frequency bandwidth in high quality music applications or in multiples for home theatre. Includes boundary compensation control.

#### Features Summary

- 2-way designs with pivoting C-CAM® tweeters (15 degrees of play)
- High overall efficiency
- High frequency level adjustment ( $\pm 3\text{dB}$ )
- Timbre-match with RS-CP and Silver RS hi-fi speakers (200 Series), BR-CP, Radius-CP, Climate 10 and Bronze BR and Radius Series hi-fi speakers (100 Series)
- All models feature our patented Tri-Grip fixing clamps. Our 'three-dogleg' Tri-Grip fixing clamps take 25% less time to install than conventional 'four-dogleg' clamping speakers. The Tri-Grip mounting clamps have three clamping points per dogleg providing twice the clamping surface area than conventional four-dogleg, single-point clamping speakers. Our wider three-point clamps provide a better seal between the speaker and ceiling maximizing bass response and midrange clarity
- Aluminium alloy grilles offer rust-free performance and longevity. They are non magnetic and lighter in weight
- All models are paint-able to blend with the living environment. A paint mask and additional scrim material are provided for trouble free painting
- All models use fire retardant materials specified to UL-94 VO rating
- All models are splash and humidity proof for installation in shower room or pool areas
- All models feature dust protection covers that are designed to prevent the ingress of dirt or dust into the driver and crossover

#### Technology Key:



Ceramic-Coated Aluminium Magnesium (C-CAM®) is an innovative alloy that exhibits the ideal mechanical properties for use in high performance loudspeaker cones and diaphragms. It is extremely rigid, yet remains light enough to yield high overall efficiency.



Metal Matrix Polymer (MMP®) driver cones are made from a polymer loaded with metallic particles that provide rigidity and high overall efficiency. A high-pressure injection moulding process is used to achieve a different thickness at critical points in the cone geometry for better stiffness, consistency, and tighter production tolerances resulting in superior sonic performance.



The Tri-Grip fixing takes 25% less time to install than the conventional 'four-dog' clamping speakers.

# C180



## Frequency Response

50Hz - 25Hz

## Impedance (nominal)

6 Ohms

## Sensitivity (1W@1M)

90dB

## Maximum SPL

111.6 dBA

## Power Handling (R.M.S)

120 W

## Recommended Amp

15 - 120 W

## Driver

1 x 8" MMP cone bass driver  
1 x 1" C-CAM pivoting gold dome tweeter

## Overall Diameter

286 mm (11 1/4 inch)

## Overall Depth

124 mm (4 14/16 inch)

## Cut-out Hole Diameter

247 mm (9 3/4 inch)

## Mounting Depth

119 mm (4 11/16 inch)

## Controls

+3db / 0dB / -3dB  
High Frequency level switch

## Fixing Type

3 position Tri-Grip dog fixings

## Cable Connection

Gold plated 'push' type terminals

## Construction Material

Mineral filled ABS plastic (UL-94 VO)

## Pre-construction Bracket

CB8 (Green)

## Weight Kg (lb)

3.8 Kg (8.4 lbs)

# C180-T2



## Frequency Response

60Hz - 25Hz

## Impedance (nominal)

6+6 Ohms

## Sensitivity (1W@1M)

89dB

## Maximum SPL

107.9 dBA

## Power Handling (R.M.S)

65 W

## Recommended Amp

10 - 65 W

## Driver

1 x 8" MMP cone bass driver  
1 x 1" C-CAM pivoting gold dome tweeter

## Overall Diameter

286 mm (11 1/4 inch)

## Overall Depth

124 mm (4 14/16 inch)

## Cut-out Hole Diameter

247 mm (9 3/4 inch)

## Mounting Depth

119 mm (4 11/16 inch)

## Controls

+3db / 0dB / -3dB High Frequency level switch

## Fixing Type

3 position Tri-Grip dog fixings

## Cable Connection

Gold plated 'push' type terminals

## Construction Material

Mineral filled ABS plastic (UL-94 VO)

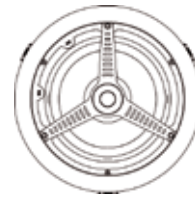
## Pre-construction Bracket

CB8 (Green)

## Weight Kg (lb)

3.8 Kg (8.4 lbs)

# C280



## Frequency Response

50Hz - 30 Hz

## Impedance (nominal)

6 Ohms

## Sensitivity (1W@1M)

90dB

## Maximum SPL

111.6 dBA

## Power Handling (R.M.S)

120 W

## Recommended Amp

15 - 120 W

## Driver

1 x 8" C-CAM cone bass driver  
1 x 1" C-CAM pivoting gold dome tweeter

## Overall Diameter

286 mm (11 1/4 inch)

## Overall Depth

124 mm (4 14/16 inch)

## Cut-out Hole Diameter

247 mm (9 3/4 inch)

## Mounting Depth

119 mm (4 11/16 inch)

## Controls

+3db / 0dB / -3dB High Frequency level switch  
& boundary compensation switch

## Fixing Type

3 position Tri-Grip dog fixings

## Cable Connection

Gold plated 'push' type terminals

## Construction Material

Mineral filled ABS plastic (UL-94 VO)

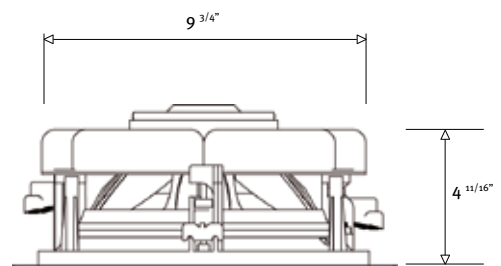
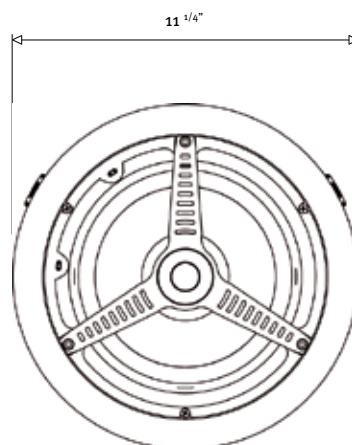
## Pre-construction Bracket

CB8 (Green)

## Weight Kg (lb)

3.8 Kg (8.4 lbs)

## Dimensions



# Inceiling

## Controlled Performance 6<sup>1</sup>/<sub>2</sub>" RST® driver, backbox model



### Gold Signature CP backbox model for high-fidelity music and home theatre sound in any room

#### Introduction

Our 'Controlled Performance' speakers are fitted with a rigid enclosure to ensure consistent, high quality sound wherever they are installed. The in-ceiling CP designs are available in four performance levels, which reflect the virtues of Monitor Audio's award-winning Gold Signature, Silver RS, Bronze BR and Radius Series' of hi-fi loudspeakers.

CPC GS - the Gold CP in-ceiling speaker with pivoting tweeter, suitable for a wide range of demanding applications and promising a truly 'high-end' performance from a complete custom-fit solution.

#### Fitting CP

The easy-to-install CP loudspeakers will accommodate walls and ceiling thicknesses between 9mm and 32mm. A secure fixing for the speaker/back-box is made by simply tightening the fixing clamps.

#### Technology Key:



Ceramic-Coated Aluminium Magnesium (C-CAM®) is an innovative alloy that exhibits the ideal mechanical properties for use in high performance loudspeaker cones and diaphragms. It is extremely rigid, yet remains light enough to yield high overall efficiency.



RST® Rigid Surface Technology: a regular pattern of dimpled impressions on the cone's surface which eliminates bending, increasing stiffness and lower mass when compared with conventional cone designs. The result is a much faster response, offering music reproduction that is closer to the original performance.



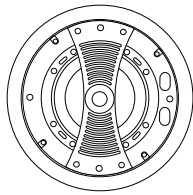
No sound installation is ever the same. CP stands for Controlled Performance, because each CP in-ceiling or in-wall product is fitted with its own rigid mineral filled enclosure allowing the acoustics to be optimised every time. This ensures that its exceptional sound remains consistent wherever it is fitted.

#### Features Summary

- 2-way design with pivoting 1" C-CAM® gold dome tweeter and 6 1/2" C-CAM®/RST® bass-mid driver
- Timbre-match with GS-CP in-wall and GS Series hi-fi speakers
- Rigid die-cast metal driver chassis design with vented rear section for extremely low distortion and high output levels
- Improved driver surrounds and motor systems allow greater cone excursions, lower distortion and improved frequency response linearity to 30kHz. The flush cone edge provides a very smooth response and a natural, accurate sound
- High and mid-range frequency level control +3dB/0dB/-3dB
- Mineral filled ABS backbox (UL-94 VO rating)
- Supplied with a paint-able grille, cut-out template and two grille membranes



# CPC GS



## Frequency Response

55 Hz - 30 kHz

## Impedance (nominal)

8 Ohms

## Sensitivity (1W@1M)

89 dB

## Maximum SPL

106.5 dBA

## Power Handling (R.M.S)

120 W

## Recommended Amp

30 - 120 W

## Bass Alignment

Sealed Enclosure

## Drive Unit Complement Bass

1 x 6 1/2" C-CAM® bass driver featuring RST® technology

## Drive Unit Complement Tweeter

25 mm (1 inch) C-CAM® Gold Dome with high power ceramic magnet system

## Overall Diameter

281 mm (11 1/16 inch)

## Overall Depth

181 mm (7 1/8 inch)

## Cut-out Hole Diameter

250 mm (9 7/8 inch)

## Mounting Depth

175 mm (6 7/8 inch)

## Controls

+3 dB / 0 dB / -3 dB High Frequency level switch  
+3 dB / 0 dB / -3 dB Mid-range frequency switch

## Fixing Type

4 position 'dog' type fixings

## Cable Connection

Gold plated 'push' type terminals

## Back box / Mounting flange material

Mineral filled ABS plastic (UL- 94 V0)

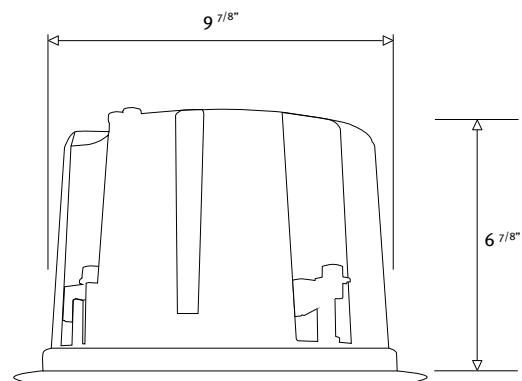
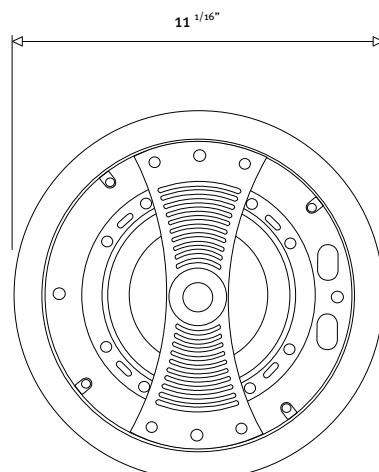
## Pre-construction Bracket

CB8 (Green)

## Weight Kg (lb)

3.1 Kg (6.8 lbs)

## Dimensions



# Inceiling

## Controlled Performance 6" C-CAM<sup>®</sup> driver, backbox model



**Silver CP backbox model for superior music and home theatre sound reproduction in any room**

### Introduction

Our 'Controlled Performance' speakers are fitted with a rigid enclosure to ensure consistent, high quality sound wherever they are installed. The in-ceiling CP designs are available in four performance levels, which reflect the virtues of Monitor Audio's award-winning Gold Signature, Silver RS, Bronze BR and Radius Series' of hi-fi loudspeakers.

CPC RS - the Silver CP in-ceiling speaker with pivoting tweeter, suitable for a wide range of demanding applications and promising high performance from a complete custom-fit solution.

### Fitting CP

The easy-to-install CP loudspeakers will accommodate walls and ceiling thicknesses between 9mm and 32mm. A secure fixing for the speaker/back-box is made by simply tightening the fixing clamps.

### Features Summary

- 2-way design with pivoting 1" C-CAM<sup>®</sup> gold dome tweeter and 6" C-CAM<sup>®</sup> bass-mid driver
- Timbre-match with RS-CP in-wall speaker, 200 Series in-ceiling speakers and RS Series hi-fi speakers
- Improved driver surrounds and motor systems allow greater cone excursions, lower distortion and improved frequency response linearity to 30kHz. The flush cone edge provides a very smooth response and a natural, accurate sound
- Bass-mid chassis design has a vented rear selection that reduces thermal power compression to deliver increased dynamic range and higher sound pressure levels. The venting also lowers distortion by balancing the pressure within the voice-coil motor system. It means clean, crisp bass and an even clearer mid-range performance
- High frequency level control +3dB/0dB/-3dB
- Mineral filled ABS backbox (UL-94 VO rating)
- Supplied with a paint-able grille, cut-out template and two grille membranes

#### Technology Key:

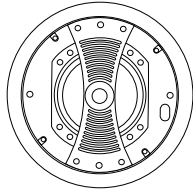


Ceramic-Coated Aluminium Magnesium (C-CAM<sup>®</sup>) is an innovative alloy that exhibits the ideal mechanical properties for use in high performance loudspeaker cones and diaphragms. It is extremely rigid, yet remains light enough to yield high overall efficiency.



No sound installation is ever the same. CP stands for Controlled Performance, because each CP in-ceiling or in-wall product is fitted with its own rigid mineral filled enclosure allowing the acoustics to be optimised every time. This ensures that its exceptional sound remains consistent wherever it is fitted.

# CPC RS



## Frequency Response

60 Hz - 30 kHz

## Impedance (nominal)

8 Ohms

## Sensitivity (1W@1M)

89 dB

## Maximum SPL

105.8 dBA

## Power Handling (R.M.S)

100 W

## Recommended Amp

30 - 100 W

## Bass Alignment

Sealed Enclosure

## Drive Unit Complement Bass

1 x 6" C-CAM® bass driver

## Drive Unit Complement Tweeter

25 mm (1 inch) C-CAM® Gold Dome  
with rare earth magnet

## Overall Diameter

281 mm (11 1/16 inch)

## Overall Depth

181 mm (7 1/8 inch)

## Cut-out Hole Diameter

250 mm (9 7/8 inch)

## Mounting Depth

175 mm (6 7/8 inch)

## Controls

+3 dB / 0 dB / -dB High Frequency level switch

## Fixing Type

4 position 'dog' type fixings

## Cable Connection

Gold plated 'push' type terminals

## Back box / Mounting flange material

Mineral filled ABS plastic (UL-94 V0)

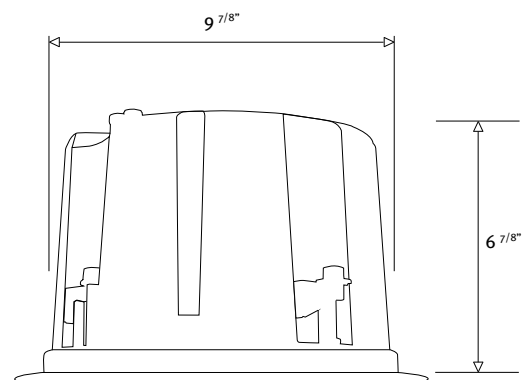
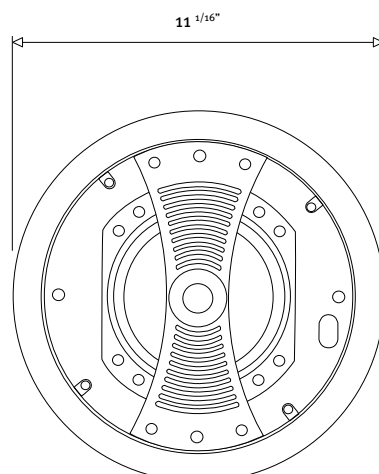
## Pre-construction Bracket

CB8 (Green)

## Weight Kg (lb)

2.54 Kg (5.6 lbs)

## Dimensions



# Inceiling

## Controlled Performance 6 1/2" MMP®II driver, backbox model



**Bronze CP backbox model for high quality music and home theatre sound in any room**

### Introduction

Our 'Controlled Performance' speakers are fitted with a rigid enclosure to ensure consistent, high quality sound wherever they are installed. The in-ceiling CP designs are available in four performance levels, which reflect the virtues of Monitor Audio's award-winning Gold Signature, Silver RS, Bronze BR and Radius Series' of hi-fi loudspeakers.

CPC BR - the Bronze CP in-ceiling speaker with pivoting tweeter, suitable for a wide range of demanding applications and promising high performance from a complete custom-fit solution.

### Fitting CP

The easy-to-install CP loudspeakers will accommodate walls and ceiling thicknesses between 9mm and 32mm. A secure fixing for the speaker/back-box is made by simply tightening the fixing clamps.

### Technology Key:



Ceramic-Coated Aluminium Magnesium (C-CAM®) is an innovative alloy that exhibits the ideal mechanical properties for use in high performance loudspeaker cones and diaphragms. It is extremely rigid, yet remains light enough to yield high overall efficiency.



Metal Matrix Polymer (MMP®) driver cones are made from a polymer loaded with metallic particles that provide rigidity and high overall efficiency. A high-pressure injection moulding process is used to achieve a different thickness at critical points in the cone geometry for better stiffness, consistency, and tighter production tolerances resulting in superior sonic performance.

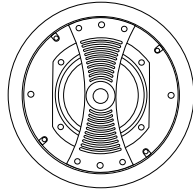


No sound installation is ever the same. CP stands for Controlled Performance, because each CP in-ceiling or in-wall product is fitted with its own rigid mineral filled enclosure allowing the acoustics to be optimised every time. This ensures that its exceptional sound remains consistent wherever it is fitted.

### Features Summary

- 2-way design with pivoting 1" C-CAM® gold dome tweeter and 6 1/2" MMP®II bass-mid driver
- Timbre-match with BR-CP in-wall speaker, 100 Series, Radius-CP, Climate 10 and BR and Radius Series hi-fi speakers
- Improved driver surrounds and motor systems allow greater cone excursions, lower distortion and improved frequency response linearity. The flush cone edge provides a very smooth response and a natural, accurate sound
- Bass-mid chassis design has a vented rear selection that reduces thermal power compression to deliver increased dynamic range and higher sound pressure levels. The venting also lowers distortion by balancing the pressure within the voice-coil motor system. It means clean, crisp bass and an even clearer mid-range performance
- Mineral filled ABS backbox (UL-94 VO rating)
- Supplied with a paint-able grille, cut-out template and two grille membranes

# CPC BR



## Frequency Response

62 Hz - 22 kHz

## Impedance (nominal)

8 Ohms

## Sensitivity (1W@1M)

88 dB

## Maximum SPL

105 dBA

## Power Handling (R.M.S)

80 W

## Recommended Amp

20 - 80 W

## Bass Alignment

Sealed Enclosure

## Drive Unit Complement Bass

1 x 6.5" MMP<sup>®</sup> II second generation metal matrix polymer

## Drive Unit Complement Tweeter

25 mm (1 inch) C-CAM<sup>®</sup> Gold Dome with rare earth magnet

## Overall Diameter

281 mm (11 1/16 inch)

## Overall Depth

181 mm (7 1/8 inch)

## Cut-out Hole Diameter

250 mm (9 7/8 inch)

## Mounting Depth

175 mm (6 7/8 inch)

## Controls

N/A

## Fixing Type

4 position 'dog' type fixings

## Cable Connection

Gold plated 'push' type terminals

## Back box / Mounting flange material

Mineral filled ABS plastic (UL-94 V0)

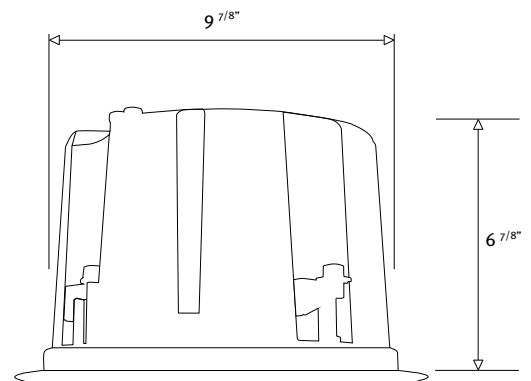
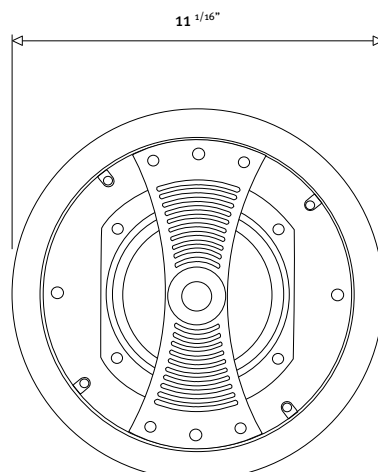
## Pre-construction Bracket

CB8 (Green)

## Weight Kg (lb)

2.47 Kg (5.4 lbs)

## Dimensions



# Inceiling

## Controlled Performance 5" MMP®II driver, backbox model



**Radius CP backbox model for high quality music and home theatre sound in any room**

### Introduction

Our 'Controlled Performance' speakers are fitted with a rigid enclosure to ensure consistent, high quality sound wherever they are installed. The in-ceiling CP designs are available in four performance levels, which reflect the virtues of Monitor Audio's award-winning Gold Signature, Silver RS, Bronze BR and Radius Series' of hi-fi loudspeakers.

CPC Radius - the Radius CP in-ceiling speaker with pivoting tweeter, suitable for a wide range of demanding applications and promising high performance from a complete custom-fit solution.

CPC Radius Stereo - employing dual pivoting tweeters, the Radius FX is designed to be easily configured for diffuse or direct sound in rear-channel applications.

### Fitting CP

The easy-to-install CP loudspeakers will accommodate walls and ceiling thicknesses between 9mm and 32mm. A secure fixing for the speaker/back-box is made by simply tightening the fixing clamps.

### Technology Key:



Ceramic-Coated Aluminium Magnesium (C-CAM®) is an innovative alloy that exhibits the ideal mechanical properties for use in high performance loudspeaker cones and diaphragms. It is extremely rigid, yet remains light enough to yield high overall efficiency.



Metal Matrix Polymer (MMP®) driver cones are made from a polymer loaded with metallic particles that provide rigidity and high overall efficiency. A high-pressure injection moulding process is used to achieve a different thickness at critical points in the cone geometry for better stiffness, consistency, and tighter production tolerances resulting in superior sonic performance.

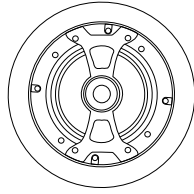


No sound installation is ever the same. CP stands for Controlled Performance, because each CP in-ceiling or in-wall product is fitted with its own rigid mineral filled enclosure allowing the acoustics to be optimised every time. This ensures that its exceptional sound remains consistent wherever it is fitted.

### Features Summary

- 2-way design with pivoting 20mm C-CAM® gold dome tweeter and 5" MMP II bass-mid driver
- Timbre-match with Radius-CP in-wall speaker, 100 Series, BR-CP, Climate 10 and Bronze BR and Radius Series hi-fi speakers
- Mineral filled ABS backbox (UL-94 VO rating)
- Supplied with a paint-able grille, cut-out template and two grille membranes
- All models are splash and humidity proof for installation in shower room or pool areas

## CPC Radius



### Frequency Response

60 Hz - 25 kHz

### Impedance (nominal)

6 Ohms

### Sensitivity (1W@1M)

88 dB

### Maximum SPL

103 dBA

### Power Handling (R.M.S)

70 W

### Recommended Amp

5 - 60 W

### Bass Alignment

Sealed Enclosure

### Drive Unit Complement Bass

1 x 5" MMP®II bass driver

### Drive Unit Complement Tweeter

Pivoting 20 mm C-CAM® Gold alloy dome

### Overall Diameter

214 mm (8 7/16 inch)

### Overall Depth

155 mm (6 1/8 inch)

### Cut-out Hole Diameter

173 mm (6 13/16 inch)

### Mounting Depth

150 mm (6 inch)

### Controls

N/A

### Fixing Type

4 position 'dog' type fixings

### Cable Connection

Gold plated 'push' type terminals

### Back box / Mounting flange material

Mineral filled ABS plastic (UL-94 V0)

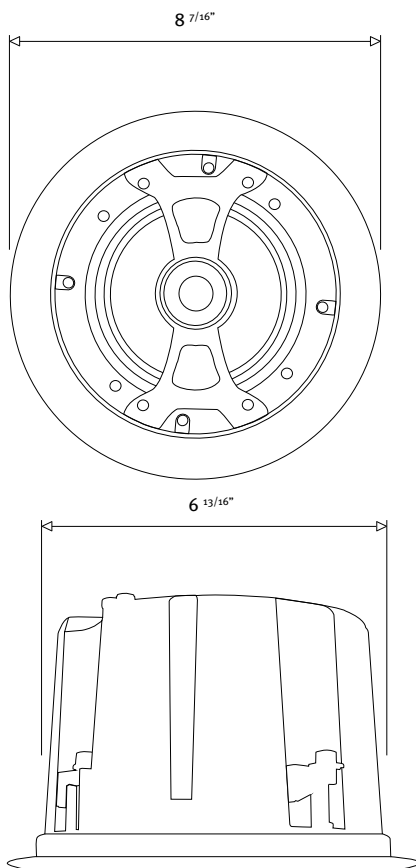
### Pre-construction Bracket

CB5 (Blue)

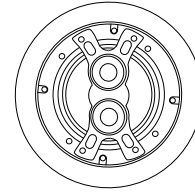
### Weight Kg (lb)

1.55 Kg (3.4 lbs)

## Dimensions



## CPC Radius Stereo



### Frequency Response

60 Hz - 25 kHz

### Impedance (nominal)

6+6 Ohms

### Sensitivity (1W@1M)

88 dB

### Maximum SPL

103 dBA (both channels driven)

### Power Handling (R.M.S)

35 W x 2 (total 70 W)

### Recommended Amp

5 - 30 W x 2

### Bass Alignment

Sealed Enclosure

### Drive Unit Complement Bass

1 x 5" MMP®II bass driver

### Drive Unit Complement Tweeter

Pivoting 2 x 20 mm C-CAM® Gold alloy dome

### Overall Diameter

214 mm (8 7/16 inch)

### Overall Depth

155 mm (6 1/8 inch)

### Cut-out Hole Diameter

173 mm (6 13/16 inch)

### Mounting Depth

150 mm (6 inch)

### Controls

N/A

### Fixing Type

4 position 'dog' type fixings

### Cable Connection

Gold plated 'push' type terminals

### Back box / Mounting flange material

Mineral filled ABS plastic (UL-94 V0)

### Pre-construction Bracket

CB5 (Blue)

### Weight Kg (lb)

1.6 Kg (3.5 lbs)

# Inwall

## Controlled Performance 6<sup>1/2</sup>" RST® driver, backbox model



### Gold Signature CP backbox model for high-fidelity music and home theatre sound in any room

#### Introduction

Our 'Controlled Performance' speakers are fitted with a rigid enclosure to ensure consistent, high quality sound wherever they are installed. The in-wall CP designs are available in four performance levels, which reflect the virtues of Monitor Audio's award-winning Gold Signature, Silver RS, Bronze BR and Radius Series' of hi-fi loudspeakers.

CPW GS - the Gold CP in-wall speaker, suitable for a wide range of demanding applications and promising a truly 'high-end' performance from a complete custom-fit solution.

#### Fitting CP

The easy-to-install CP loudspeakers will accommodate walls and ceiling thicknesses between 9mm and 32mm. A secure fixing for the speaker/back-box is made by simply tightening the fixing clamps.

#### Technology Key:



Ceramic-Coated Aluminium Magnesium (C-CAM®) is an innovative alloy that exhibits the ideal mechanical properties for use in high performance loudspeaker cones and diaphragms. It is extremely rigid, yet remains light enough to yield high overall efficiency.



RST® Rigid Surface Technology: a regular pattern of dimpled impressions on the cone's surface which eliminates bending, increasing stiffness and lower mass when compared with conventional cone designs. The result is a much faster response, offering music reproduction that is closer to the original performance.



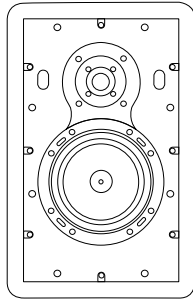
No sound installation is ever the same. CP stands for Controlled Performance, because each CP in-ceiling or in-wall product is fitted with its own rigid mineral filled enclosure allowing the acoustics to be optimised every time. This ensures that its exceptional sound remains consistent wherever it is fitted.

#### Features Summary

- 2-way design with 1" C-CAM® gold dome tweeter and 6 1/2" C-CAM®/RST® bass-mid driver
- Timbre-match with GS-CP in-ceiling and GS Series hi-fi speakers
- Rigid die-cast metal driver chassis design with vented rear section for extremely low distortion and high output levels
- Improved driver surrounds and motor systems allow greater cone excursions, lower distortion and improved frequency response linearity to 30kHz. The flush cone edge provides a very smooth response and a natural, accurate sound
- High and mid-range frequency level control +3dB/0dB/-3dB
- Mineral filled ABS backbox (UL-94 VO rating)
- Supplied with a paint-able grille, cut-out template and two grille membranes



# CPW GS



## Frequency Response

55 Hz - 30 kHz

## Impedance (nominal)

8 Ohms

## Sensitivity (1W@1M)

89 dB

## Maximum SPL

106.5 dBA

## Power Handling (R.M.S)

120 W

## Recommended Amp

30 - 120 W

## Bass Alignment

Sealed Enclosure

## Drive Unit Complement Bass

1 x 6 1/2" C-CAM® bass driver featuring RST® technology

## Drive Unit Complement Tweeter

25 mm (1 inch) C-CAM® Gold Dome with high power ceramic magnet system & rear low resonance chamber

## Overall Diameter

423 mm high x 270 mm wide  
(16 11/16 inch x 10 11/16 inch)

## Overall Depth

100 mm  
(3 15/16 inch)

## Cut-out Hole Diameter

387 mm high x 234 mm wide  
(15 1/4 inch x 9 1/4 inch)

## Mounting Depth

95 mm  
(3 12/16 inch)

## Controls

+3 dB / 0 dB / -dB High Frequency level switch  
+3 dB / 0 dB / -3dB Mid-range frequency switch

## Fixing Type

8 position 'dog' type fixings

## Cable Connection

Gold plated 'push' type terminals

## Back box / Mounting flange material

Mineral filled ABS plastic (UL-94 V0)

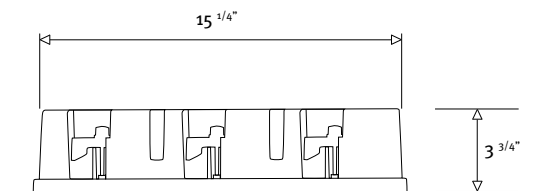
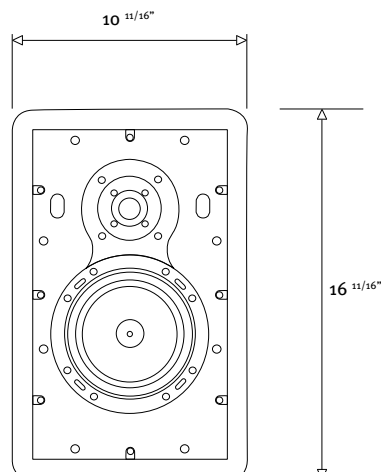
## Pre-construction Bracket

WB8 (Green)

## Weight Kg (lb)

4.3 Kg (9.5 lbs)

## Dimensions



# Inwall

## Controlled Performance 6" C-CAM® driver, backbox model



### Silver CP backbox model for superior music and home theatre sound reproduction in any room

#### Introduction

Our 'Controlled Performance' speakers are fitted with a rigid enclosure to ensure consistent, high quality sound wherever they are installed. The in-wall CP designs are available in four performance levels, which reflect the virtues of Monitor Audio's award-winning Gold Signature, Silver RS, Bronze BR and Radius Series' of hi-fi loudspeakers.

CPW RS - the Silver CP in-wall speaker, suitable for a wide range of demanding applications and promising high performance from a complete custom-fit solution.

#### Fitting CP

The easy-to-install CP loudspeakers will accommodate walls and ceiling thicknesses between 9mm and 32mm. A secure fixing for the speaker/back-box is made by simply tightening the fixing clamps.

#### Features Summary

- 2-way design with 1" C-CAM® gold dome tweeter and 6" C-CAM® bass-mid driver
- Timbre-match with RS-CP in-ceiling speaker, 200 Series in-ceiling speakers and RS Series hi-fi speakers
- Improved driver surrounds and motor systems allow greater cone excursions, lower distortion and improved frequency response linearity to 30kHz. The flush cone edge provides a very smooth response and a natural, accurate sound
- Bass-mid chassis design has a vented rear selection that reduces thermal power compression to deliver increased dynamic range and higher sound pressure levels. The venting also lowers distortion by balancing the pressure within the voice-coil motor system. It means clean, crisp bass and an even clearer mid-range performance
- High frequency level control +3dB/0dB/-3dB
- Mineral filled ABS backbox (UL-94 VO rating)
- Supplied with a paint-able grille, cut-out template and two grille membranes

#### Technology Key:

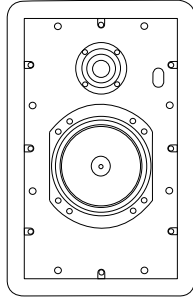


Ceramic-Coated Aluminium Magnesium (C-CAM®) is an innovative alloy that exhibits the ideal mechanical properties for use in high performance loudspeaker cones and diaphragms. It is extremely rigid, yet remains light enough to yield high overall efficiency.



No sound installation is ever the same. CP stands for Controlled Performance, because each CP in-ceiling or in-wall product is fitted with its own rigid mineral filled enclosure allowing the acoustics to be optimised every time. This ensures that its exceptional sound remains consistent wherever it is fitted.

# CPW RS



## Frequency Response

60 Hz - 30 kHz

## Impedance (nominal)

8 Ohms

## Sensitivity (1W@1M)

89 dB

## Maximum SPL

105.8 dBA

## Power Handling (R.M.S)

100 W

## Recommended Amp

30 - 100 W

## Bass Alignment

Sealed Enclosure

## Drive Unit Complement Bass

1 x 6" C-CAM® bass driver

## Drive Unit Complement Tweeter

25 mm (1 inch) C-CAM® Gold Dome with rare earth magnet

## Overall Diameter

423 mm high x 270 mm wide  
(16 11/16 inch x 10 11/16 inch)

## Overall Depth

100 mm  
(3 15/16 inch)

## Cut-out Hole Diameter

387 mm high x 234 mm wide  
(15 1/4 inch x 9 1/4 inch)

## Mounting Depth

95 mm  
(3 12/16 inch)

## Controls

+3 dB / 0 dB / -dB High Frequency level switch

## Fixing Type

8 position 'dog' type fixings

## Cable Connection

Gold plated 'push' type terminals

## Back box / Mounting flange material

Mineral filled ABS plastic (UL-94 V0)

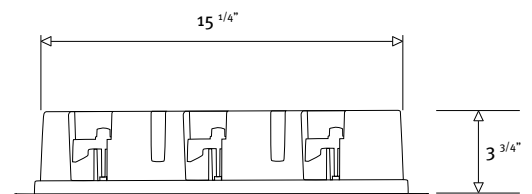
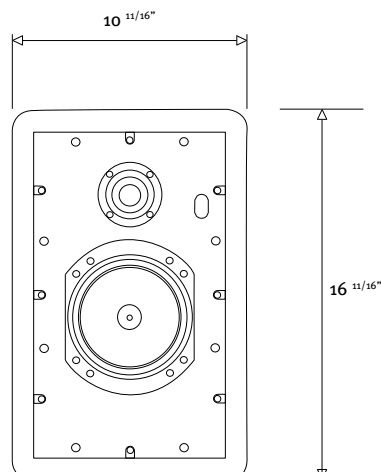
## Pre-construction Bracket

WB8 (Green)

## Weight Kg (lb)

3.2 Kg (7 lbs)

## Dimensions



# Inwall

## Controlled Performance 6 1/2" MMP®II driver, backbox model



### Bronze CP backbox model for high quality music and home theatre sound in any room

#### Introduction

Our 'Controlled Performance' speakers are fitted with a rigid enclosure to ensure consistent, high quality sound wherever they are installed. The in-wall CP designs are available in four performance levels, which reflect the virtues of Monitor Audio's award-winning Gold Signature, Silver RS, Bronze BR and Radius Series' of hi-fi loudspeakers.

CPW BR - the Bronze CP in-wall speaker, suitable for a wide range of demanding applications and promising high performance from a complete custom-fit solution.

#### Fitting CP

The easy-to-install CP loudspeakers will accommodate walls and ceiling thicknesses between 9mm and 32mm. A secure fixing for the speaker/back-box is made by simply tightening the fixing clamps.

#### Technology Key:



Ceramic-Coated Aluminium Magnesium (C-CAM®) is an innovative alloy that exhibits the ideal mechanical properties for use in high performance loudspeaker cones and diaphragms. It is extremely rigid, yet remains light enough to yield high overall efficiency.



Metal Matrix Polymer (MMP®) driver cones are made from a polymer loaded with metallic particles that provide rigidity and high overall efficiency. A high-pressure injection moulding process is used to achieve a different thickness at critical points in the cone geometry for better stiffness, consistency, and tighter production tolerances resulting in superior sonic performance.

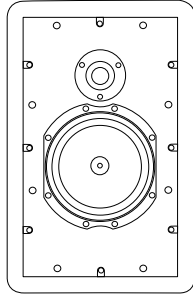


No sound installation is ever the same. CP stands for Controlled Performance, because each CP in-ceiling or in-wall product is fitted with its own rigid mineral filled enclosure allowing the acoustics to be optimised every time. This ensures that its exceptional sound remains consistent wherever it is fitted.

#### Features Summary

- 2-way design with 1" C-CAM® gold dome tweeter and 6 1/2" MMP®II bass-mid driver
- Timbre-match with BR-CP in-ceiling speaker, 100 Series, Radius-CP, Climate 10 and BR and Radius Series hi-fi speakers
- Improved driver surrounds and motor systems allow greater cone excursions, lower distortion and improved frequency response linearity. The flush cone edge provides a very smooth response and a natural, accurate sound
- Bass-mid chassis design has a vented rear selection that reduces thermal power compression to deliver increased dynamic range and higher sound pressure levels. The venting also lowers distortion by balancing the pressure within the voice-coil motor system. It means clean, crisp bass and an even clearer mid-range performance
- Mineral filled ABS backbox (UL-94 VO rating)
- Supplied with a paint-able grille, cut-out template and two grille membranes

# CPW BR



## Frequency Response

62 Hz - 22 kHz

## Impedance (nominal)

8 Ohms

## Sensitivity (1W@1M)

88 dB

## Maximum SPL

105 dBA

## Power Handling (R.M.S)

80 W

## Recommended Amp

20 - 80 W

## Bass Alignment

Sealed Enclosure

## Drive Unit Complement Bass

1 x 6.5" MMP<sup>®</sup> II generation  
metal matrix polymer

## Drive Unit Complement Tweeter

25 mm (1 inch) C-CAM<sup>®</sup> Gold Dome  
with rare earth magnet

## Overall Diameter

423 mm high x 270 mm wide  
(16 11/16 inch x 10 11/16 inch)

## Overall Depth

100 mm  
(3 15/16 inch)

## Cut-out Hole Diameter

387 mm high x 234 mm wide  
(15 1/4 inch x 9 1/4 inch)

## Mounting Depth

95 mm  
(3 12/16 inch)

## Controls

N/A

## Fixing Type

8 position 'dog' type fixings

## Cable Connection

Gold plated 'push' type terminals

## Back box / Mounting flange material

Mineral filled ABS plastic (UL-94 V0)

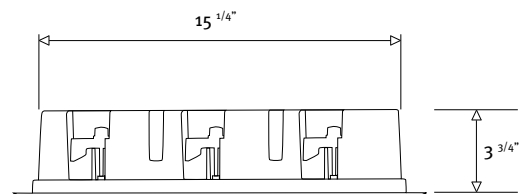
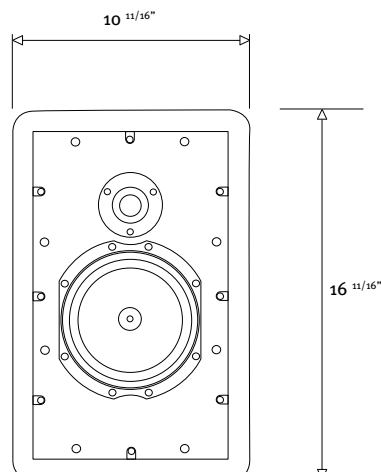
## Pre-construction Bracket

WB8 (Green)

## Weight Kg (lb)

3.1 Kg (6.8 lbs)

## Dimensions



# Inwall

## Controlled Performance 5" C-CAM<sup>®</sup> driver, backbox model



### Radius CP backbox model for high quality music and home theatre sound in any room

#### Introduction

Our 'Controlled Performance' speakers are fitted with a rigid enclosure to ensure consistent, high quality sound wherever they are installed. The in-wall CP designs are available in four performance levels, which reflect the virtues of Monitor Audio's award-winning Gold Signature, Silver RS, Bronze BR and Radius Series' of hi-fi loudspeakers.

CPW Radius - the Radius CP in-wall speaker, suitable for a wide range of demanding applications and promising high performance from a complete custom-fit solution.

#### Fitting CP

The easy-to-install CP loudspeakers will accommodate walls and ceiling thicknesses between 9mm and 32mm. A secure fixing for the speaker/back-box is made by simply tightening the fixing clamps.

#### Technology Key:



Ceramic-Coated Aluminium Magnesium (C-CAM<sup>®</sup>) is an innovative alloy that exhibits the ideal mechanical properties for use in high performance loudspeaker cones and diaphragms. It is extremely rigid, yet remains light enough to yield high overall efficiency.



Metal Matrix Polymer (MMP<sup>®</sup>) driver cones are made from a polymer loaded with metallic particles that provide rigidity and high overall efficiency. A high-pressure injection moulding process is used to achieve a different thickness at critical points in the cone geometry for better stiffness, consistency, and tighter production tolerances resulting in superior sonic performance.

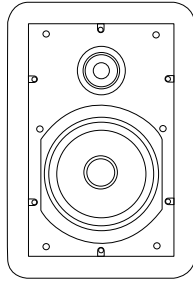


No sound installation is ever the same. CP stands for Controlled Performance, because each CP in-ceiling or in-wall product is fitted with its own rigid mineral filled enclosure allowing the acoustics to be optimised every time. This ensures that its exceptional sound remains consistent wherever it is fitted.

#### Features Summary

- 2-way design with 20mm C-CAM<sup>®</sup> gold dome tweeter and 5" MMP<sup>®</sup>II bass-mid driver
- Timbre-match with Radius-CP in-ceiling speaker, 100 Series, BR-CP, Climate 10 and Bronze BR and Radius Series hi-fi speakers
- Mineral filled ABS backbox (UL-94 VO rating)
- Supplied with a paint-able grille, cut-out template and two grille membranes
- All models are splash and humidity proof for installation in shower room or pool areas

# CPW Radius



## Frequency Response

60 Hz - 25 kHz

## Impedance (nominal)

6 Ohms

## Sensitivity (1W@1M)

88 dB

## Maximum SPL

103 dBA

## Power Handling (R.M.S)

70 W

## Recommended Amp

5 - 60 W

## Bass Alignment

Sealed Enclosure

## Drive Unit Complement Bass

1 x 5" MMP<sup>®</sup> II bass driver

## Drive Unit Complement Tweeter

Pivoting 20 mm C-CAM<sup>®</sup> Gold alloy dome

## Overall Diameter

313 mm high x 211.5 mm wide  
(12 5/16 inch x 8 5/16 inch)

## Overall Depth

99 mm  
(3 7/8 inch)

## Cut-out Hole Diameter

275 mm high x 172 mm wide  
(10 13/16 inch x 6 3/4 inch)

## Mounting Depth

95 mm  
(3 12/16 inch)

## Controls

N/A

## Fixing Type

6 position 'dog' type fixings

## Cable Connection

Gold plated 'push' type terminals

## Back box / Mounting flange material

Mineral filled ABS plastic (UL-94 V0)

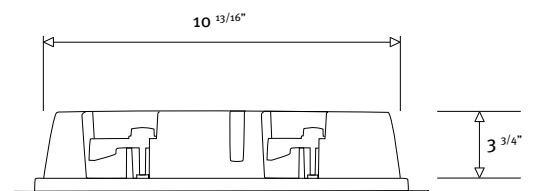
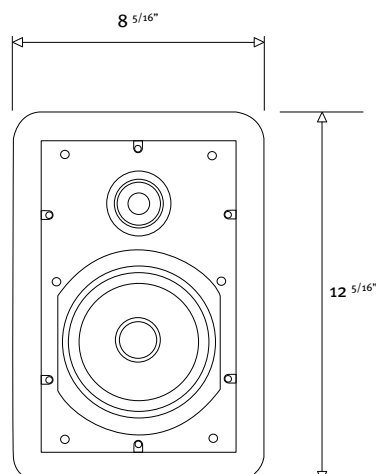
## Pre-construction Bracket

WB5 (Blue)

## Weight Kg (lb)

1.83 Kg (4 lbs)

## Dimensions



# Onwall

## All weather loudspeaker 5" MMP®II driver, 4" ABR unit



### Easy-to-fit high performance all-weather speaker

#### Introduction

Imbued with the performance, design innovation and build quality that have made Monitor Audio's speakers famous around the world, the Climate 10 loudspeaker has been created for all-weather environments, yet is a genuine hi-fi speaker worthy of the name.

Climate 10 – compact 2-way outdoor speaker with additional bass radiator. Designed to resist all weather conditions.

#### Technology Key:

C-CAM®

Ceramic-Coated Aluminium Magnesium (C-CAM®) is an innovative alloy that exhibits the ideal mechanical properties for use in high performance loudspeaker cones and diaphragms. It is extremely rigid, yet remains light enough to yield high overall efficiency.

MMP®II

Metal Matrix Polymer (MMP®) driver cones are made from a polymer loaded with metallic particles that provide rigidity and high overall efficiency. A high-pressure injection moulding process is used to achieve a different thickness at critical points in the cone geometry for better stiffness, consistency, and tighter production tolerances resulting in superior sonic performance.

ABR

Sound quality is optimised for the open environment through the use of an additional sealed ABR (Auxiliary Bass Radiator) to enrich low frequencies with extra punch and penetration.

#### Features Summary

- 1" C-CAM® gold dome tweeter
- 5" MMP®II bass/mid-range driver
- 4" ABR unit for superior low frequency performance in open environments
- Aluminium alloy grilles offer rust-free performance and longevity. They are non magnetic, lighter in weight
- Bracket assembly can be fixed horizontally or vertically using three screws. Once installed, the speaker can be rotated through a 180 degrees angle, allowing the flexibility to direct the sound for the maximum effect
- Solid, sealed ABS enclosure resists moisture and the effects of prolonged UV exposure
- Moulded into the rear casing are the terminals, incorporating chamfered sides for drainage
- Rubber terminal cover
- Typical applications: patio, poolside, sauna, yacht, airports, convention centres, hotels, live theatre/concert hall background, sports arenas



# Climate 10



**Frequency Response**  
80 Hz -6 dB (anechoic)

**Impedance (nominal)**  
6 Ohms

**Sensitivity (1W@1M)**  
88 dB

**Amplifier Requirements (R.M.S)**  
10 - 60 W

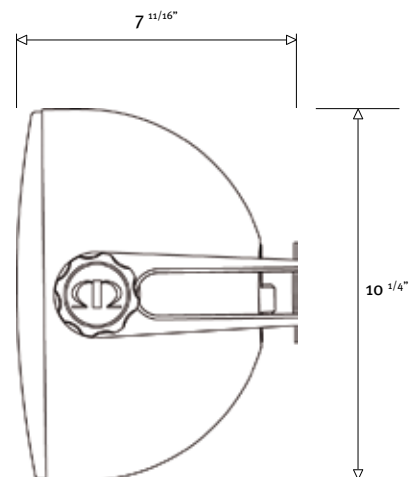
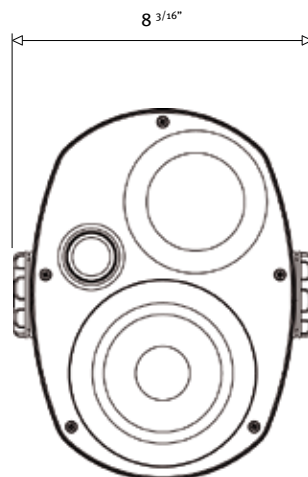
**Power Handling (R.M.S)**  
60 W

**Driver**  
1 x 5" MMP<sup>®</sup>II bass / mid-range driver  
1 x 4" ABR unit  
1 x 1" C-CAM<sup>®</sup> Gold dome tweeter

**Dimensions**  
260 mm high x 208 mm wide x 196 mm depth  
(10 1/4 inch x 8 3/16 inch x 7 11/16 inch)

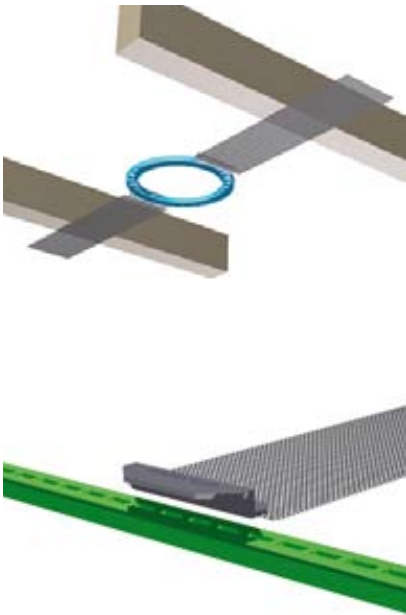
**Weight Kg (lb)**  
2.3 Kg (5.1 lbs)

## Dimensions



# Installation accessories

## Construction brackets



### Introduction

Monitor Audio's colour-coded pre-construction brackets are designed with professional installers in mind. They will provide a quick and easy way of locating the desired position of Monitor Audio CI loudspeakers between joists/studs at the pre-construction stage. Easy-fix aluminium wings clip to the bracket holding the bracket in position for cutting when located on the studs.

### Features Summary

- Colour coded brackets to differentiate models and assist selection
- Robust fixing clips (snap to fit securely in place but can be removed and repositioned)
- Moulded cable loop for associated wires, prior to install, snaps off when installed
- Easy fix aluminium mesh wings
- Multi-positional wing location in frame

#### Inceiling bracket - CB5" (Blue)

Fits the following models:

Pro-IC, CPC Radius & CPC Radius Stereo



#### Inwall bracket - WB5" (Blue)

Fits the following models:

CPW Radius



#### Inceiling bracket - CB6" (Purple)

Fits the following models:

C165, C165-T2, C265 & C265-LCR



#### Inceiling bracket - CB8" (Green)

Fits the following models:

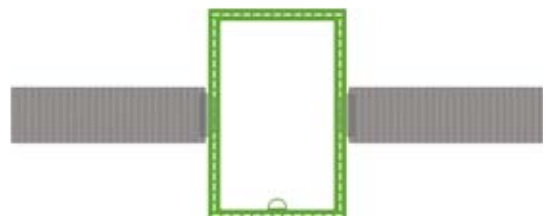
C180, C180-T2, C280 & C280-LCR  
CPC GS, CPC RS & CPC BR



#### Inwall bracket - WB8" (Green)

Fits the following models:

CPW GS, CPW RS & CPW BR







Monitor Audio Ltd  
Unit 2, 24 Brook Road  
Rayleigh, Essex  
SS6 7XL  
England  
Tel: 01268 740580  
Fax: 01268 740589  
Email: [info@monitoraudio.co.uk](mailto:info@monitoraudio.co.uk)

[www.monitoraudio.co.uk](http://www.monitoraudio.co.uk)  
Designed in the United Kingdom

Printed in the UK