

42" CLASS (42.0" MEASURED DIAGONALLY)

42VS20-BAA

LCD  
MONITOR

## LCD Widescreen Full HD Capable Monitor



NATIVE DISPLAY RESOLUTION  
1920 x 1080 (FHD)

HIGH BRIGHTNESS  
700 cd/m<sup>2</sup>

CONTRAST RATIO  
1,200:1 (Typ.), 3,000:1 (DCR)

SUPER IPS  
178° VIEWING ANGLE

VIEWING ANGLE and LIFE EXPECTANCY  
Enhanced in Portrait and Landscape Mode

RJ-45 LAN CONTROL

HDMI™/DVI WITH HDCP AND DISPLAY PORT

RS-232C CONTROL

CONVENIENT EXTERNAL SPEAKER-OUT



ENERGY STAR® 5.1 COMPLIANT

INFORMATION DISPLAY FOR SERIAL NUMBER

SPLIT ZOOM (self video wall)  
Up to 15 x 15 matrix - adjusts for bezel width

BEZEL WIDTH  
16.9mm (left/top/bottom/right)

USB PLAYBACK

PIP/PBP

USB PORT

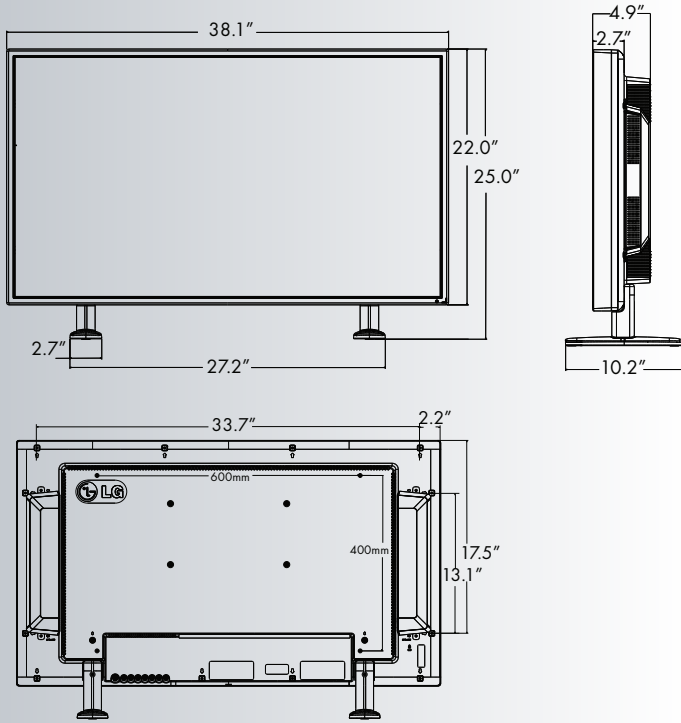
TEMPERATURE SENSOR

3-YEAR LIMITED WARRANTY  
parts/labor

LGsolutions.com



**LG**  
Life's Good



**PANEL**

Panel Technology	IPS
Display Area	42" class (42.0" measured diagonally)
Aspect Ratio	16:9
Native Resolution	1920 x 1080 (FHD)
Brightness	700 cd/m <sup>2</sup>
Contrast Ratio	1,200:1 (Typ.), 3,000:1 (DCR)
Viewing Angle	178°/178°
Response Time	9ms (G to G)

**INPUT (REAR)**

Digital	DVI(1), HDMI(1), DP(1)
Analog	RGB(1), Shared Component(1), Shared AV(1)
Audio	PC Audio In(1)
External Control	RS232C(1), RJ45(1)
USB	USB(1)

**OUTPUT (REAR)**

Digital	DVI(1)
Analog	RGB(1)
Audio	External speaker
External Control	RS232C(1)

**CABINET**

Bezel Width	16.9mm (left/top/right/bottom)
Monitor Dimensions (W x H x D) (head only)	38.1" x 22.0" x 4.9"
Monitor Weight (head only)	38.58 lbs
Carton Dimensions (W x H x D)	44.4" x 27.8" x 9.5"
Packed Weight	54.67 lbs
VESA™ Standard Mount Interface	600mm x 400mm

**SPECIAL FEATURES**

Smart Energy Saving
Multi-media playback
PIP/PBP
Temp Sensor
Tile mode (Up to 15 x 15)
ISM Method
Key Lock

**ENVIRONMENT CONDITIONS**

Operation Temperature	0°C ~ 40°C
Operation Humidity	10% ~ 80%

**POWER**

Power Supply	100-240V~, 50/60Hz
Power Consumption	
Normal (Typical)	170W
Smart Energy Saving on	130W
DPMS Off	1.0W(RGB)
Power Off	0.5W

**STANDARD (CERTIFICATIONS)**

Safety	CB / UL / c-UL / TUV / KC
EMC	FCC / CE / KCC
Erp/Energy Star 5.1	Yes / Yes

**MEDIA PLAYER COMPATIBILITY**

External Media player Attachable	Yes
----------------------------------	-----

**SOFTWARE COMPATIBILITY**

Supersign Compatibility	Elite-W / Elite-W lite
-------------------------	------------------------

**LIMITED WARRANTY**

Warranty	3 Years (Parts/Labor)
----------	-----------------------

**UPC CODE**

42VS20-BAA	7 19192 19052 8
------------	-----------------

**ACCESSORIES**

Accessory	D-Sub Cable, Power Cord, PC Audio Cable, Remote Controller (include battery 2ea ), Manual
-----------	-------------------------------------------------------------------------------------------

**OPTIONAL ACCESSORIES**

Hidden Speakers (SP0000K)	Black
Speaker Dimensions (W x H x D)	1.6" x 12.9" x 2.2"
Speaker Weight (each)	0.8 lbs
Packaging Dimensions (W x H x D)	15.1" x 5.3" x 6.9"
Packed Weight	2.4 lbs (2 Speakers/1 Package)
ST0000K (stand)	Fits 42VS20-BAA
Stand Dimensions (W x H x D)	26.4" x 8.4" x 12.6"
Weight	8.9 lbs



All screen images are simulated. Dimensions and weights are approximate. Design, specifications, and features subject to change without notice.

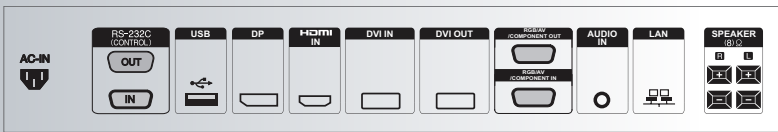
© Copyright 2012 LG Electronics USA, Inc. All Rights Reserved. "LG Life's Good" is a registered trademark of LG Corp.

ENERGY STAR is a registered trademark of the U.S. Environmental Protection Agency. In Plane Switching is a trademark of LG Philips LCD Ltd. VESA is a trademark of Video Electronics Standards Association. HDMI, the HDMI logo and High-Definition Multimedia Interface are trademarks or registered trademarks of HDMI Licensing LLC.

All other product and brand names are trademarks or registered trademarks of their respective companies.

Printed in the USA. July 2012

**Rear Jack Pack Panel**



LGsolutions.com



LG Electronics U.S.A., Inc.  
HE B2B Division  
2000 Millbrook Drive  
Lincolnshire, IL 60069

Customer Service: 888.865.3026  
www.LGsolutions.com/support

Contact your LG Regional Sales Representative:  
Hospitality: 800.228.1236  
Channel: 800.897.8871

E-mail: info@LGsolutions.com

SPEC\_42VS20\_071202\_PR

