



FEATURES

- Universal range of VESA mounting options
- Allows a multiple installation from 1 to 2 screens
- Internal Cable management in a pole tube
- Adjustable tilt angle from 0° to +18°
- Construction up to 140 kg of capacity

TECHNICAL



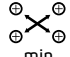
min.
100x100 mm
max.
600x400 mm



42"-57"



0°/+18



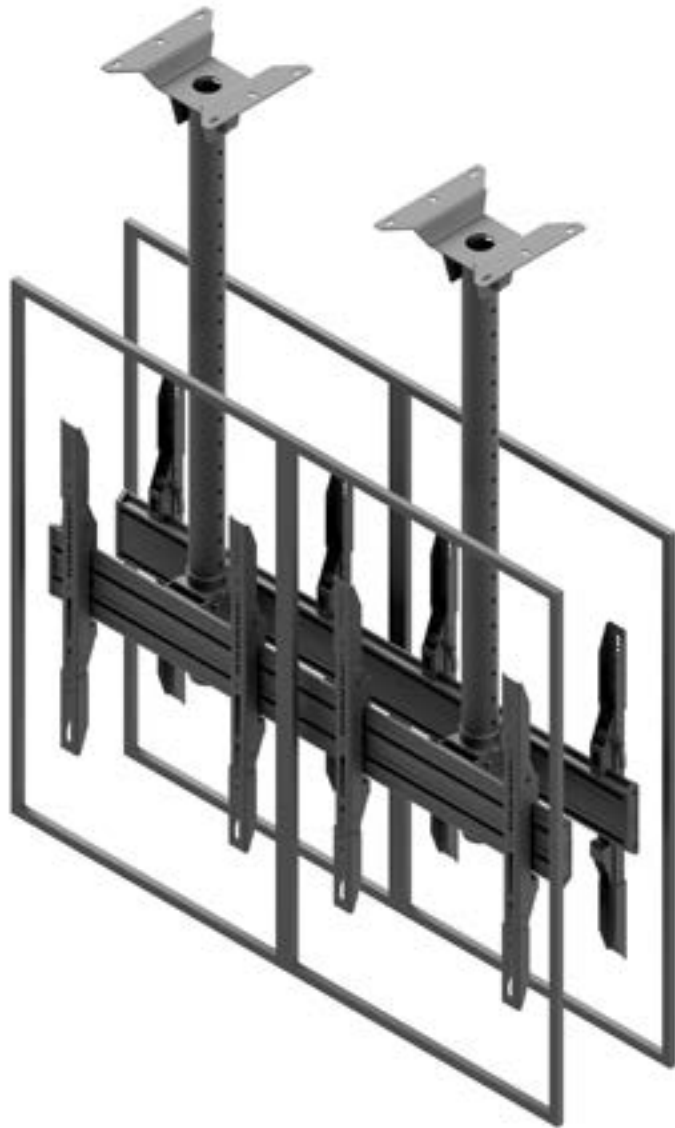
min.
50x75 mm
max.
750x460
mm





140 kg



min.225 mm
max.1125mm

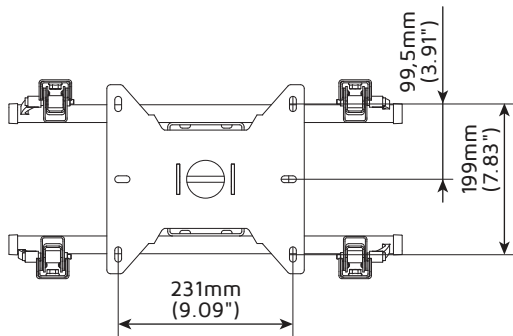
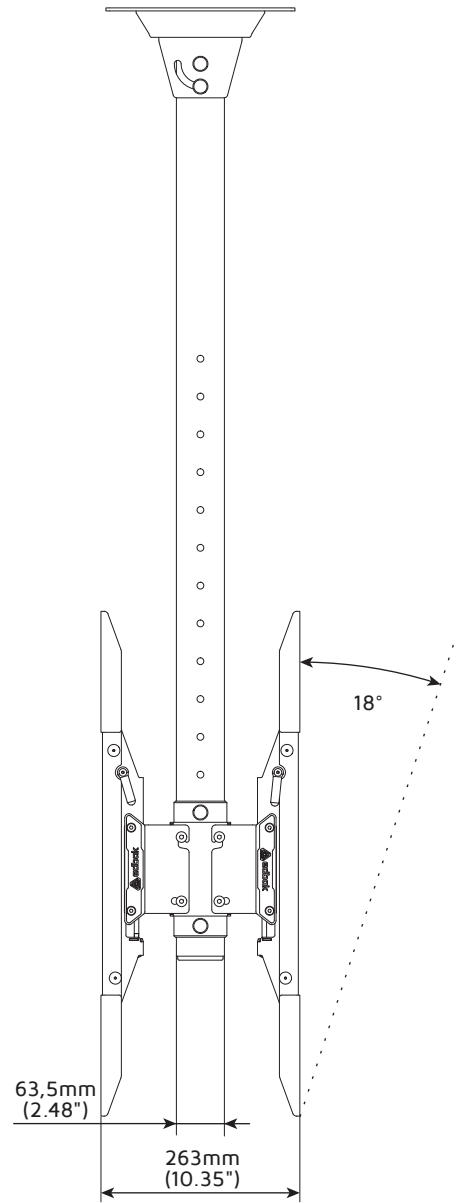
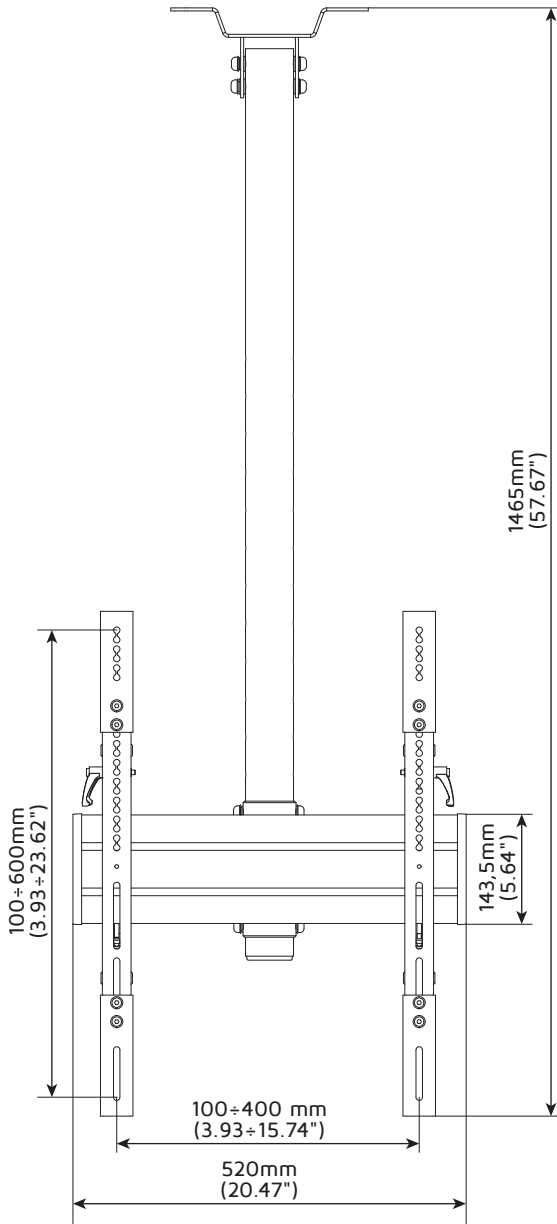


MENU BOARDS

Monitor configuration	Product	Screen size	Max. capacity	Max. VESA	Weight	Dimensions (HxWxD)
	MBV1155BB-P	42"-57"	70 kg	min. 100x100 mm max. 600x400 mm	35 kg	1470x500x250 mm
	MBV2147BB-P	42"-47"	140 kg	min. 100x100 mm max. 600x400 mm	48 kg	1470x1000x250 mm
	MBV2155BB-P	50"-57"	140 kg	min. 100x100 mm max. 600x400 mm	50 kg	1470x1200x251 mm

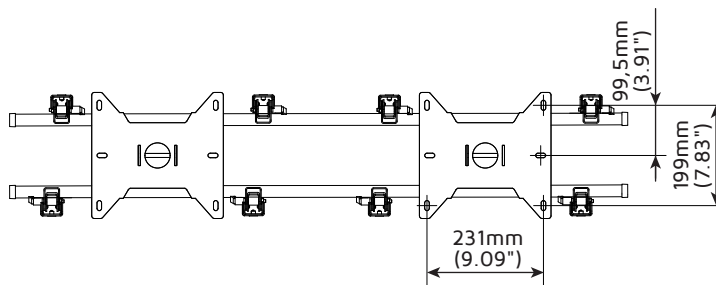
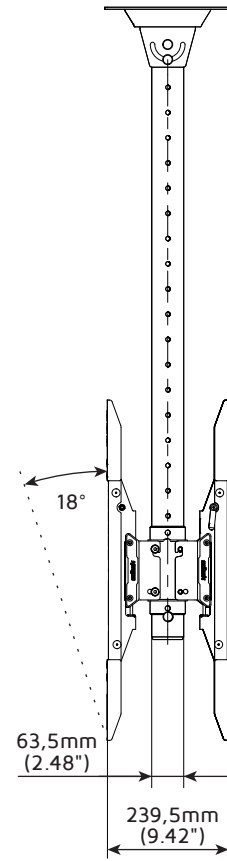
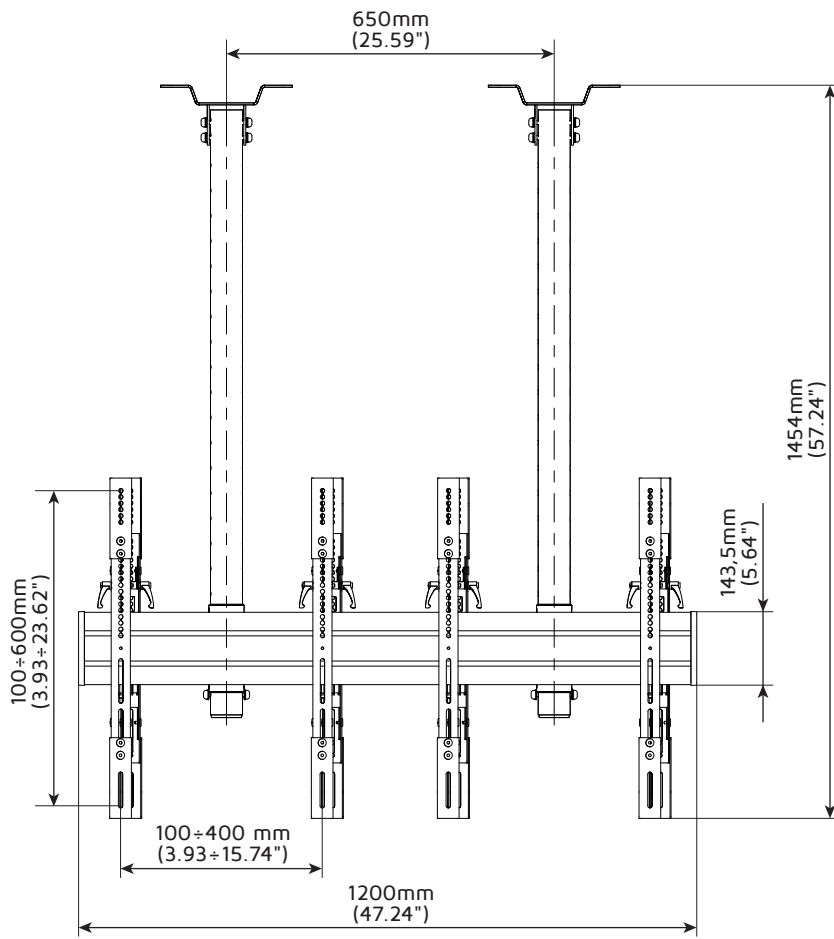


MBV1155BB-P





MBV2147BB-P





MBV2155BB-P

