



CELO8

High-end 2-way 8" ceiling speaker

Highlights:

- High-end 2-way ceiling speaker
- 80 Watt RMS power
- SlimLine™ grill with 1mm thin border
- Elegant & unobtrusive design
- Warm & true to nature sound
- Paintable front grill
- Gold-Con™ spring clamps
- Thin edged white grill (RAL9003)
- 1" + 8" " Aluminum membrane drivers

The CELO series is AUDAC's first High-end slim ceiling speaker series, consisting of four models which can guarantee an optimal experience for every situation and application. The CELO8 is the largest 8" model of this series. Due to its slim grill design with a very thin border of only 1 mm and a limited grill depth which extrudes from the ceiling surface by only 3.2 mm, these speakers will become nearly invisible when mounted. To make them blend in even more, the grill can be painted in the same color as the surrounding surface or an optional black grill (GLC08/B) will provide seamless integration in dark environments.

This elegant and unobtrusive grill is held in place by means of powerful neodymium magnets, making assembly and disassembly very simple, but still reliable enough for keeping the grill in place during the complete lifetime of the loudspeaker. When the grill is removed, it's clear for anyone to see that the CELO speakers are made by using only the highest quality materials, guaranteeing an unsurpassed sound experience.

One 1" aluminum cone tweeter is held in place by an acoustically optimized arm in front of an 8" aluminum cone woofer. Together with the crossover network which is made of high-quality components, this results in true to nature sound reproduction for a warm and detailed sound with an RMS power of 80 Watt.

To guarantee a lifetime stability, secure mounting and easy installation, the loudspeaker connection is made using Gold plated spring clamp connectors. The mounting of the loudspeaker into the ceiling should be done by a quick-fixing mechanism which can be tightened by four screws and the front grill is held into place by neodymium magnets.

Applications:

- Bars, restaurants
- Retail
- Public facilities
- Corporate spaces
- Residential



Impedance:



System specifications:

Speaker type		2-way coaxial
Max. Power		160 W
RMS Power		80 W
Impedance		8 Ω
Sensitivity (1W/1m)		89 dB
Sound Pressure (Max. W/1m)		108 dB
Frequency	Response (\pm 3 dB)	46 Hz - 20 kHz
	Range (-10 dB)	32 Hz - 20 kHz
Crossover	Type	Passive built-in
	Frequency	3 kHz
Dispersion	Conical	135°
Connectors		Gold-Con™ spring clamps
Drivers	HF	1" Aluminium membrane
	LF	8" Aluminium membrane

Product Features:

Dimensions		270 x 118 mm (\varnothing x D)
Weight		2.250 kg
Construction		ABS
Front finish		Thin edged white grill (RAL9003)
Cut-out measurement		245 mm (\varnothing)
Built-in depth		115 mm
Mounting & handling		4 Screw quick-fixing mechanism
Operating temperature		-20 °C ~ 60 °C
Colours		Black frame & white grill
Accessories	Included	GLC08/W - White grill (RAL9003)
	Optional	WTR24 - 24W 100V line transformer
		GLC08/B - Black grill (RAL9005)
		GLC08/P - Paintable grill

Shipping & Ordering:

Packaging

Cardboard box

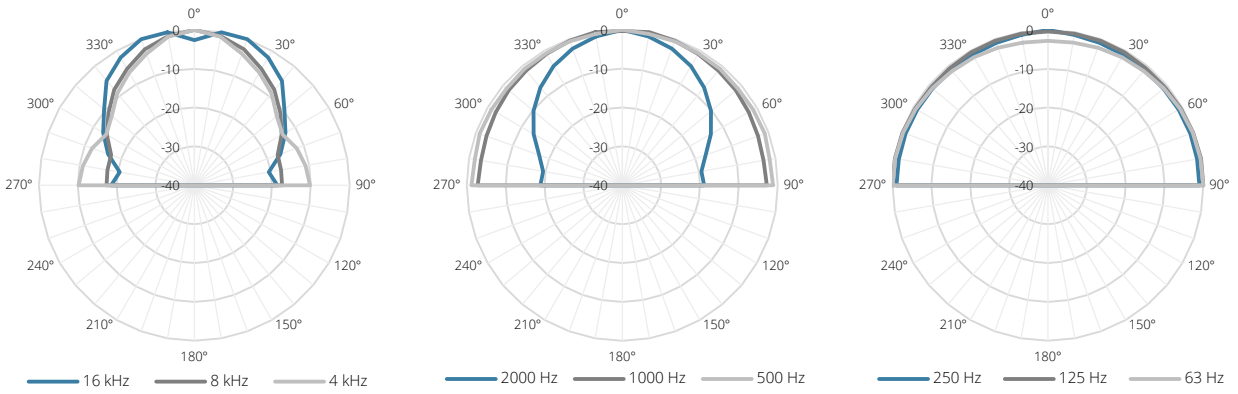
Shipping weight & volume

2.940 kg - 0.017 Cbm

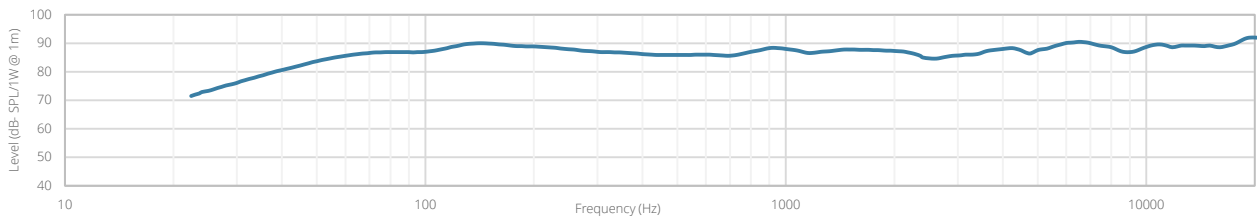
Architects' and Engineers' Specifications:

The ceiling mount loudspeakers shall be a 2-way coaxial type, equipped with a 8" aluminium cone low frequency driver and a 1" aluminium dome tweeter with neodymium magnet. The tweeter shall be mounted in the centre position of the woofer by means of an acoustically optimized arm. It shall have an RMS power handling of 80 Watt with a maximum power handling of 160 Watt and the frequency response (± 3 dB) shall range from 46 Hz to 20 kHz. The sensitivity shall be 89 dB when measuring with an input signal of 1 Watt at a distance of 1 meter, while the maximum continuous sound pressure level shall be 108 dB. The nominal dispersion shall be a 135° conical coverage pattern at -6dB (average 100 Hz - 10 kHz). The loudspeaker shall have an impedance of 8 Ohm and shall contain a passive built-in crossover network with crossover frequency of 3000 Hz, which is constructed of high-quality components. The speakers frame and basket shall be constructed as one entity in strong ABS material with a black colour and textured matt surface finishing. A 4-screw quick-fixing mechanism shall be provided to mount the speaker into a ceiling in a quick and simple way. The connectivities shall be performed using Gold-Con spring clamp connectors. To make the loudspeaker nearly invisible when mounted, the speaker shall have a white (RAL9003) grill with a very thin border of 1 mm which extrudes the ceiling surface by only 3.2 mm. This grill shall be constructed of steel which can be painted to make it blend-in with any environment. The assembly and disassembly of the grill shall be very simple thanks to the neodymium magnets that hold it in place. The speaker shall have a diameter of 270 mm, a depth of 118 mm and shall not exceed 2.25 kg. The speaker shall fit in a mounting hole with a cutout diameter of 245 mm and a build-in depth of 115 mm

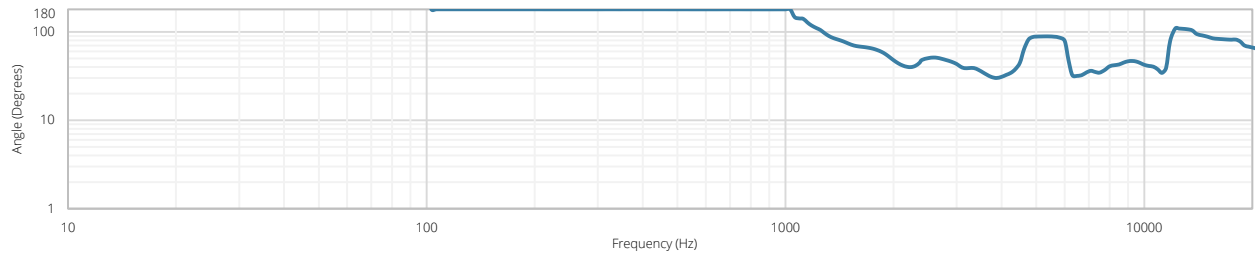
Polars:



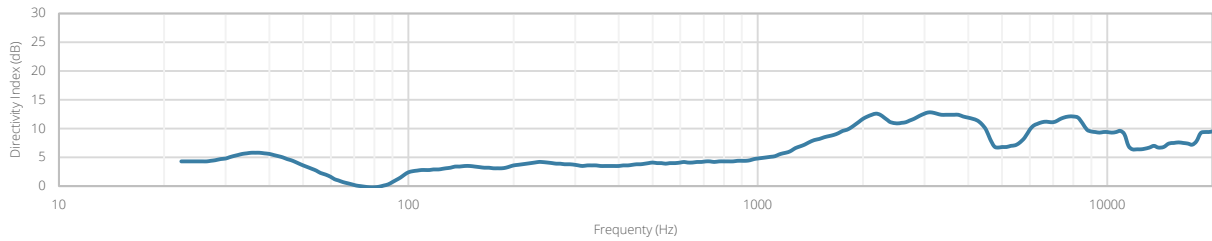
Sensitivity:

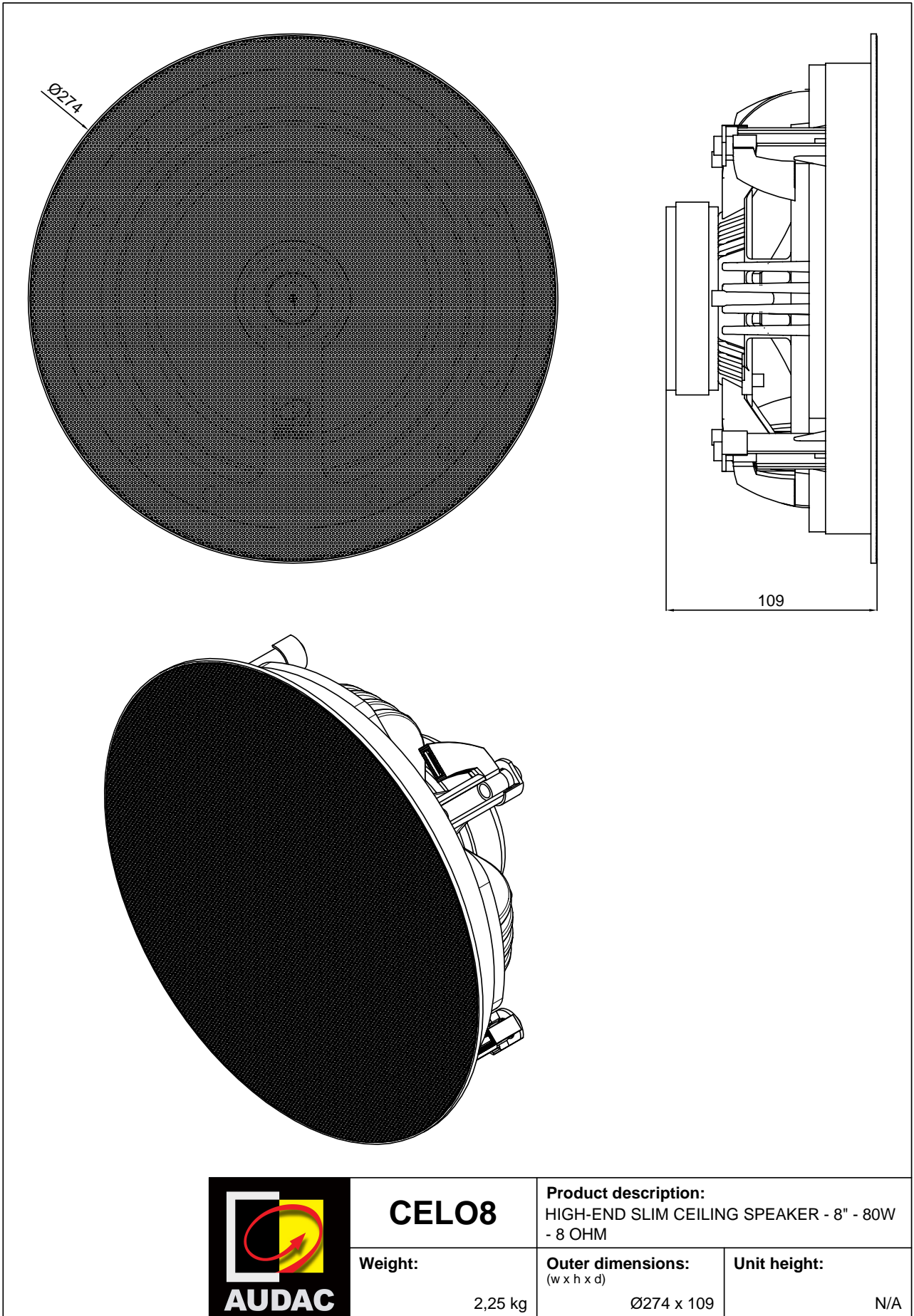


Beamwidth (-3dB):



Directivity index:





CELO8

Product description:

HIGH-END SLIM CEILING SPEAKER - 8" - 80W
- 8 OHM

Weight:

2,25 kg

Outer dimensions:
(w x h x d)

Ø274 x 109

Unit height:

N/A