

MBV Series - Menu Board for 42"-57" Back-to-back Screens, Landscape









FEATURES

- Universal range of VESA mounting options
- Allows a multiple installation from 1 to 3 screens
- Internal cable management in a pole tube
- Adjustable tilt angle from 0° to +18°
- Construction up to 210 kg of capacity



TECHNICAL

min. 100x100 mm
 max. 600x400 mm

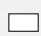
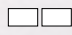
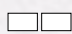
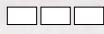
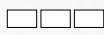
42"-57"

0°/+18°

min. 50x75 mm
 max. 750x460 mm

210 kg

min. 225 mm
 max. 1125mm

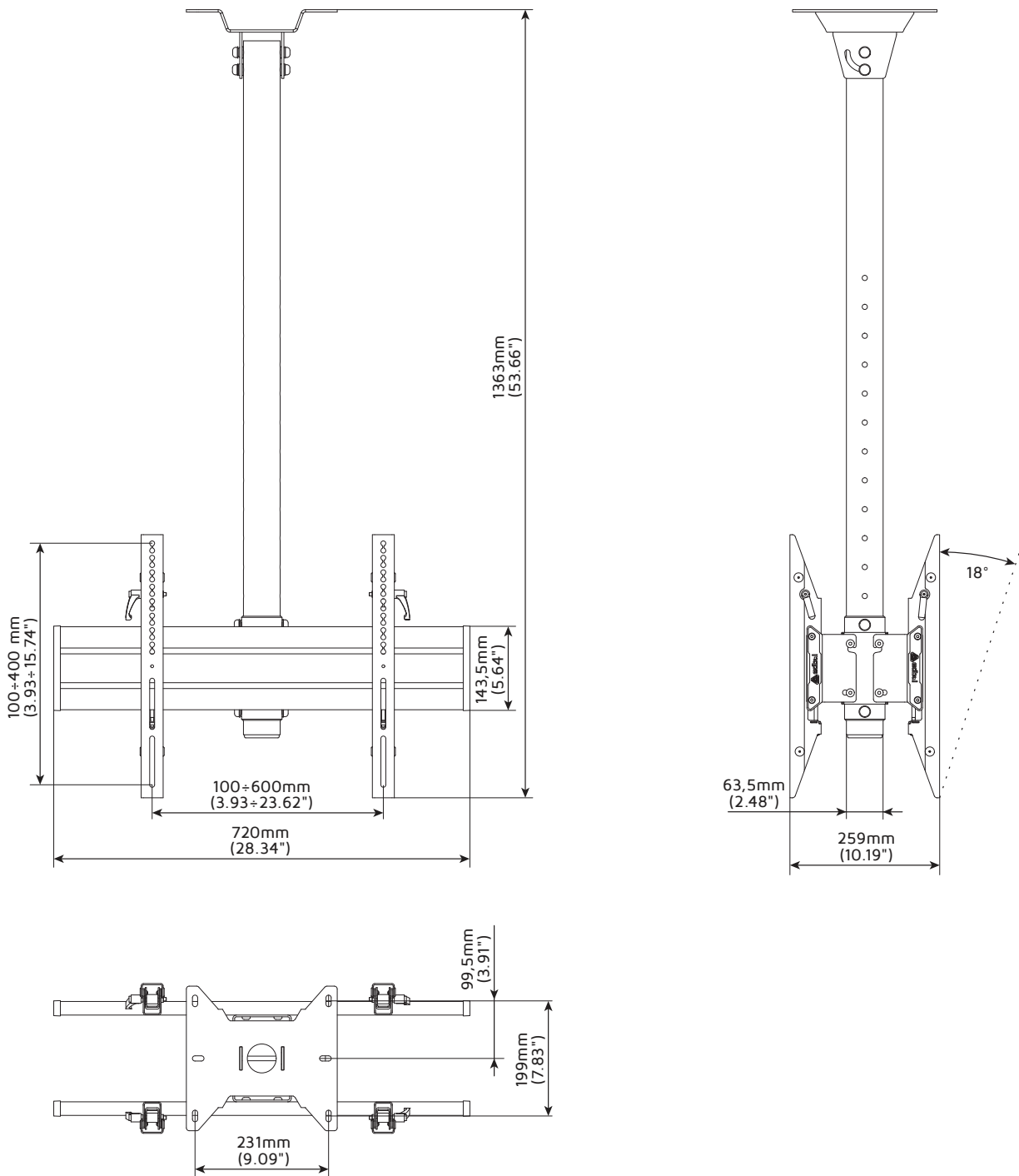
Monitor configuration	Product	Screen size	Max. capacity	Max. VESA	Weight	Dimensions (HxWxD)
	MBV1155BB-L	42"-57"	70 kg	min. 100x100 mm max. 600x400 mm	36 kg	1370x1960x250 mm
	MBV2147BB-L	42"-47"	140 kg	min. 100x100 mm max. 600x400 mm	36 kg	1370x1960x250 mm
	MBV2155BB-L	50"-57"	140 kg	min. 100x100 mm max. 600x400 mm	38 kg	1370x2200x250 mm
	MBV3147BB-L	42"-47"	210 kg	min. 100x100 mm max. 600x400 mm	57 kg	1370x2930x250 mm
	MBV3155BB-L	50"-57"	210 kg	min. 100x100 mm max. 600x400 mm	59 kg	1370x3320x250 mm

MBV Series - Menu Board for 42"-57" Back-to-back Screens, Landscape



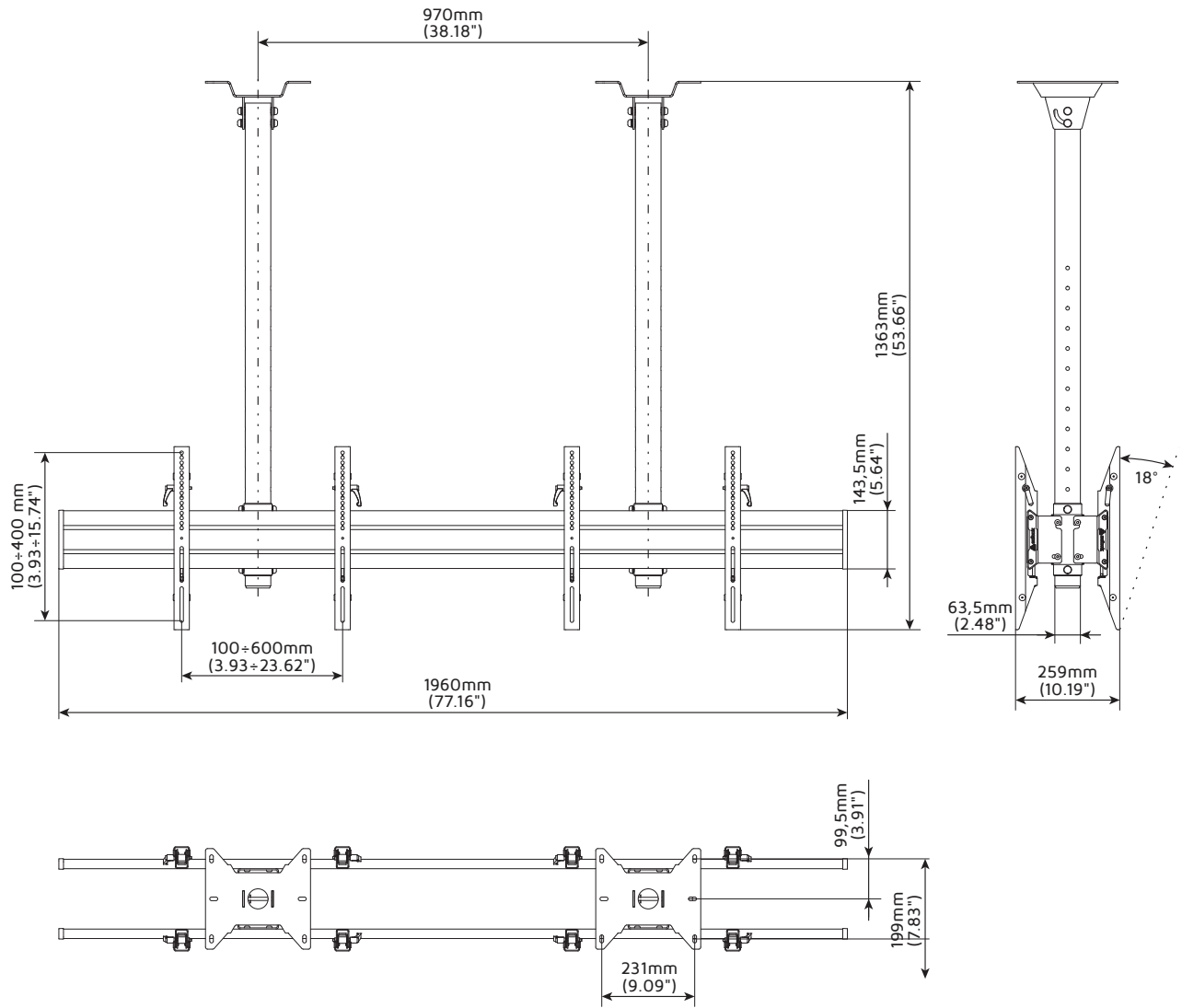
TECHNICAL DRAWINGS

MBV1155BB-L



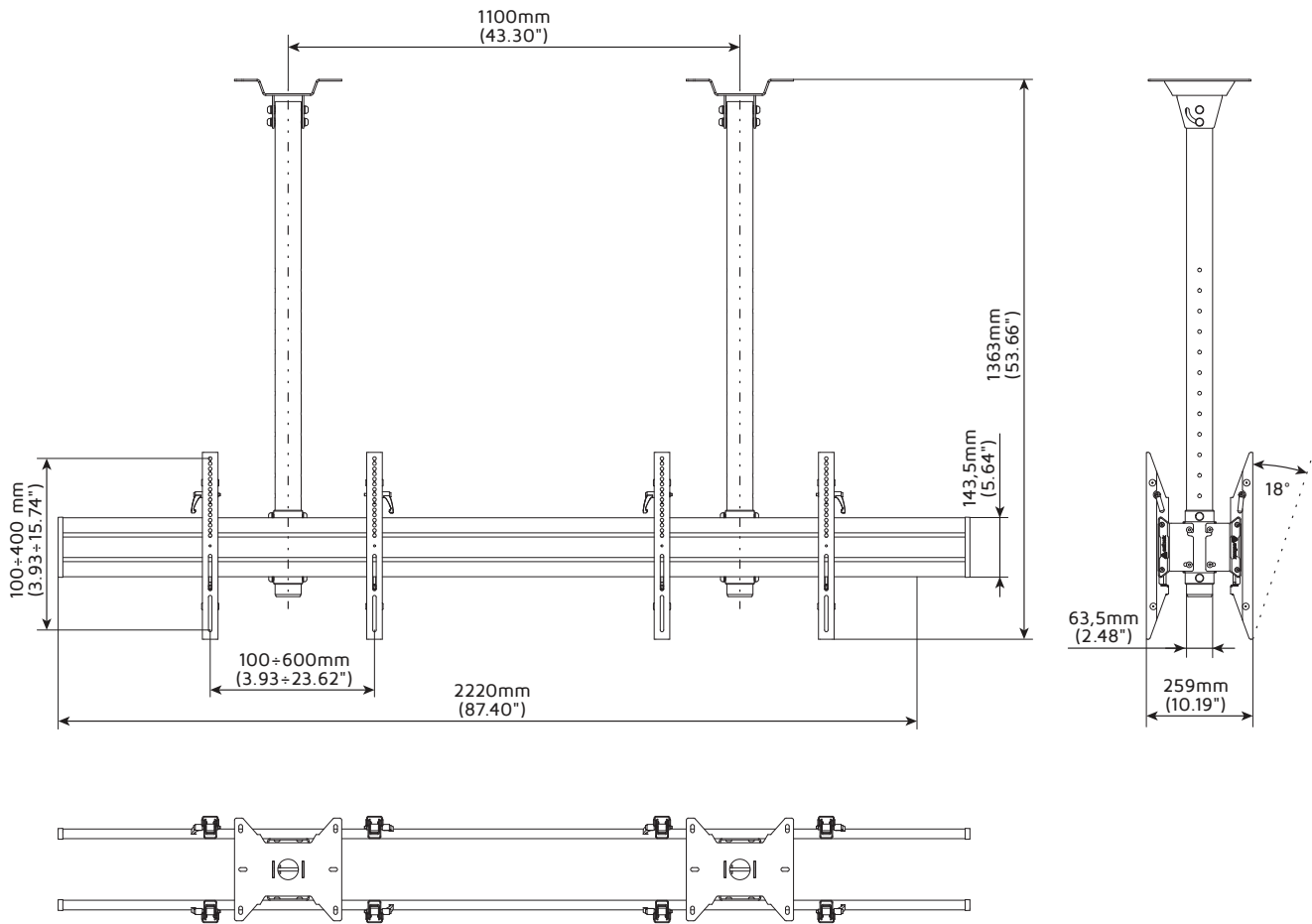


MBV2147BB-L



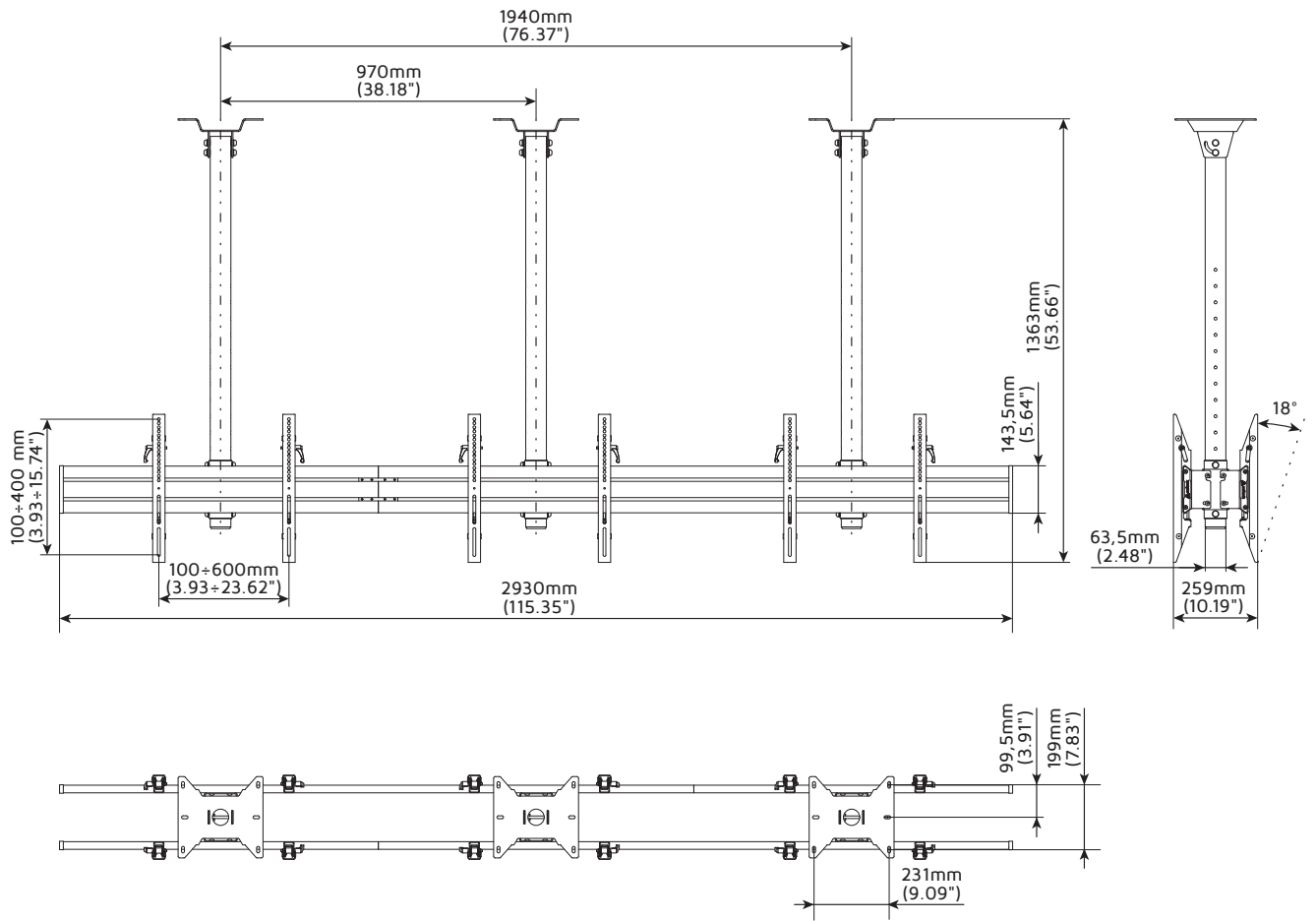


MBV2155BB-L





MBV3147BB-L





MBV3155BB-L

