

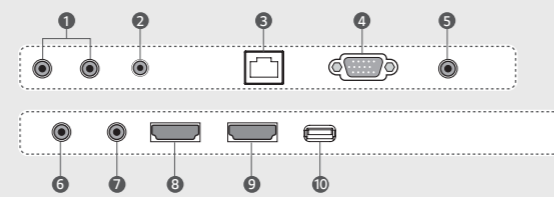
## Specifications

SE3DD Series	55SE3DD	49SE3DD	43SE3DD
Screen Size	55"	49"	43"
Panel Technology	IPS		
Aspect Ratio	16:9		
Native Resolution	1,920 x 1,080 (FHD)		
Brightness	300 cd/m <sup>2</sup>		
Contrast Ratio	1,000:1 (Typ.)		
Dynamic CR	500,000:1		
Viewing Angle (H x V)	178 x 178		
Response Time	12 ms (G to G BW), 9.0 ms (WOT)	12ms (G to G BW), 10.1 ms (WOT)	12ms (G to G BW), 9.4 ms (WOT)
Surface Treatment	Hard coating (3H), Anti-glare treatment of the front polarizer (Haze 1% (Typ.))		
Guaranteed Operating Hours	16 Hrs		
Orientation	Landscape & Portrait		
Input	HDMI (2), Analog (RGB), Audio, USB		
Output	External Speaker Out		
External Control	RS232C (In/Out), RJ45, IR Receiver		
Bezel Color	Black		
Bezel Width	11.9 mm (T/R/L), 18 mm (B)		
Monitor Dimension (W x H x D)	1,238 x 714.9 x 38.6 mm	1,102.2 x 638.5 x 38.6 mm	969.6 x 563.9 x 38.6 mm
Weight (Head)	17.1 kg	13.9 kg	9.6 kg
Monitor with Optional Stand & Speaker Dimensions (W x H x D)	1,238 x 773.4 x 219.6 mm	1,102.2 x 696.8 x 219.6 mm	969.6 x 622.2 x 193 mm
Weight (Head+Stand+Speaker)	19.9 kg	17.7 kg	12.6 kg
Carton Dimensions (W x H x D)	1,330 x 807 x 170 mm	1,197 x 760 x 166 mm	1,052 x 650 x 123 mm
Packed Weight	21.3 kg	17.0 kg	12.2 kg
VESA™ Standard Mount Interface	300 x 300 mm	300 x 300 mm	200 x 200 mm
SPECIAL FEATURES	Temperature Sensor, Tile Mode (Up to 15x15), Natural Mode@Tile Mode, DPM Select, DPM Wake Up, ISM Method, Energy Saving, Smart Energy Saving, USB Content Scheduling, Conformal Coating, SNMP Support, Wi-Fi Ready (Dongle), No Signal Image setting, Holiday Schedule/Local Time Auto Setting, Fail over, Wake on LAN		
ENVIRONMENTAL CONDITIONS	Operating Temperature Range	0 °C to 40 °C	
	Operating Humidity Range	10 % to 80 %	
POWER	Power Supply	100-240V~, 50/60Hz	
	Power Type	Built-In Power	
POWER CONSUMPTION	Typ.	80 W	65 W
	Smart Energy Saving	55 W	45 W
STANDARD (CERTIFICATION)	Safety	UL / cUL / CB / TUV / KC	
	EMC	FCC Class "A" / CE / KCC	
	ErP / Energy Star	Yes / Yes (Energy Star 7.0)	
MEDIA PLAYER COMPATIBILITY	OPS Type Compatible	No	
	External Media Player Attachable	Yes (MP500/MP700)	
SOFTWARE COMPATIBILITY	Content Management Software	SuperSign W	SuperSign W
	Control and Monitoring Software	SuperSign C	SuperSign C
	Basic	Remote Controller (include battery 2ea), Power Cord, QSG, RGB Cable, Regulation Book, IR Receiver	
ACCESSORIES	Optional	Speaker (SP-5000), Stand (ST-492T), Media Player (MP500/MP700), Wall Bracket (LSW350B), VESA Adapter (AM-B330S), Wi-Fi Dongle (AN-WF500), Touch Overlay (KT-T550)	Speaker (SP-5000), Stand (ST-492T), Media Player (MP500/MP700), Wall Bracket (LSW350B), VESA Adapter (AM-B330S), Wi-Fi Dongle (AN-WF500), Touch Overlay (KT-T490)
		Speaker (SP-5000), Stand (ST-432T), Media Player (MP500/MP700), Wall Bracket (LSW230B), VESA Adapter (AM-B220S), Wi-Fi Dongle (AN-WF500), Touch Overlay (KT-T430)	

## Connectivity

- 1 SPEAKER OUT
- 2 AUDIO IN
- 3 LAN
- 4 RGB IN
- 5 IR IN
- 6 RS232C IN
- 7 RS232C OUT
- 8 HDMI 1
- 9 HDMI 2
- 10 USB

55SE3DD / 49SE3DD / 43SE3DD



Download LG Commercial Display Mobile App



Learn more [www.lg.com/b2b](http://www.lg.com/b2b)

YouTube [youtube.com/c/LGCommercialDisplay](https://youtube.com/c/LGCommercialDisplay)

LG may make changes to specifications and product descriptions without notice.  
Copyright © 2017 LG Electronics Inc. All rights reserved. "LG Life's Good" is a registered trademark of LG Corp.  
The names of products and brands mentioned here may be the trademarks of their respective owners.



## Simple Way to Manage Your Digital Signage

### Standard Essential SE3DD Series



Simplify promotion content or sales information management with the LG SE3DD Series that satisfies a wide range of display purposes in your business. This series has a practical design with a slim bezel and depth for optimum space utilization. Multiple screen sizes ensure the best selection for your business environment.

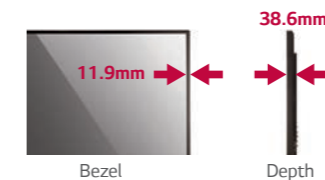
## Key Features

### Sleek Design



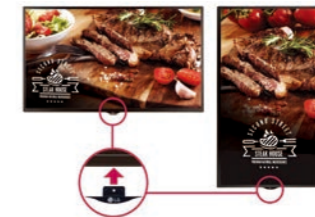
### Slim Bezel & Depth

The thin bezel & depth allows a perfect fit for a sleek look.



### Detachable Logo

Portrait mode allows the logo to be positioned in the desired setting.



### Cable Management

The well-organized cable terminals in the back optimize available space.



### USB Content Management



### USB Content Scheduling

Play and schedule contents with a USB connection-no server connection required.



\*Supported Content Type: Video (MPEG1/2/4, H.264), Audio (MP3, AC3, MPEG, AAC, HEAAC, LPCM), Image (JPEG, PNG, BMP)

### Dust & Humidity Protection



### Conformal Coating

Circuit board reliability is enhanced with conformal coating that protects against dust, iron powder, humidity and other harsh conditions.



# Simple Way to Manage Your Digital Signage

## Standard Essential SE3DD Series



**Screen Sizes**  
55", 49", 43"

### SE3DD Series

- Edge LED
- Brightness: 300 cd/m<sup>2</sup>
- Bezel: T/L/R 11.9 mm, B 18.0 mm
- Depth: 38.6 mm
- Interface: HDMI (2), RGB, RJ45, IR, RS232C, USB

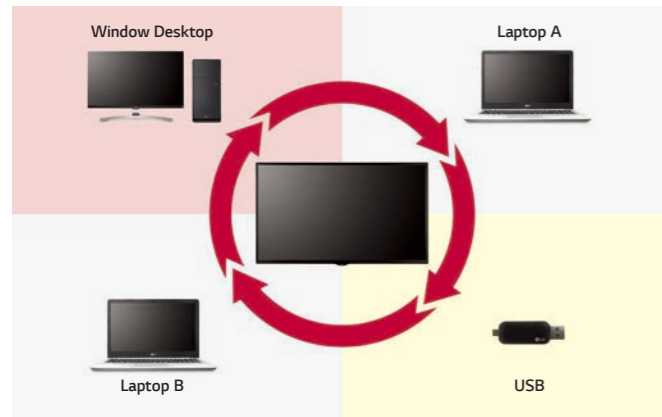


## Other Features

### Convenient Management

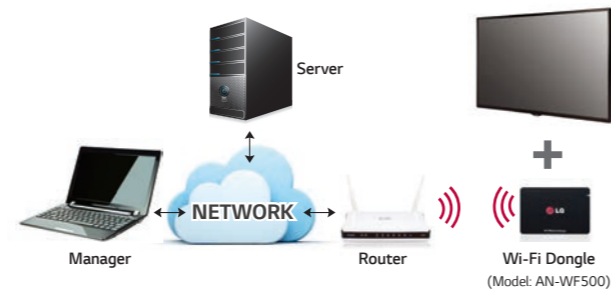
#### Enhanced Connectivity

Through its diverse interface, the signage lets you connect more than one device for optimal use.



#### Wi-Fi Support

SE3DD Series supports Wi-Fi USB dongle connection for convenient content distribution. And SNMP support ensures convenient network management.



\* SNMP: Simple Network Management Protocol

### Convenient Screen Mode

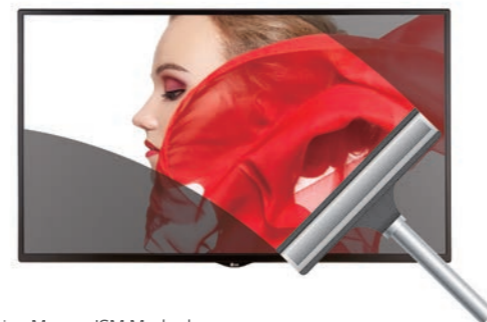
#### No Signal Image

In case a media player is disconnected, it is possible to play back the image preset by users using USB instead of the no signal image.



#### Scheduled Screen Wash\*

Prevent residual images with the screen transition feature.

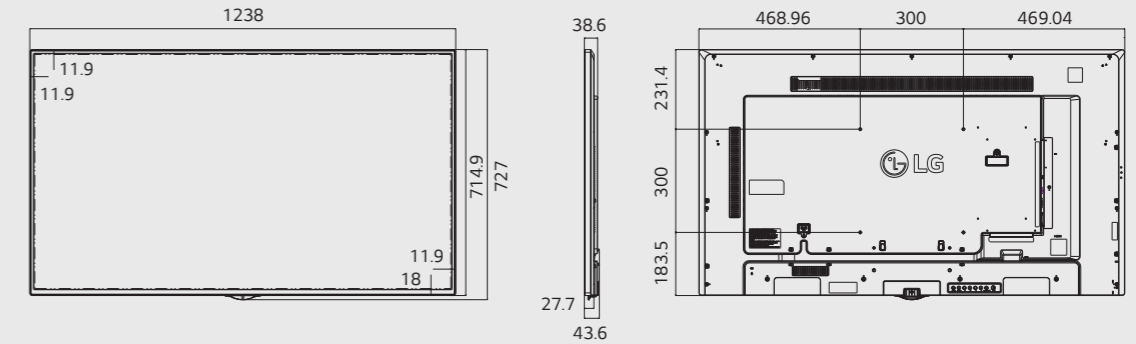


\* Installation Menu > ISM Method

## Dimension (unit : mm)

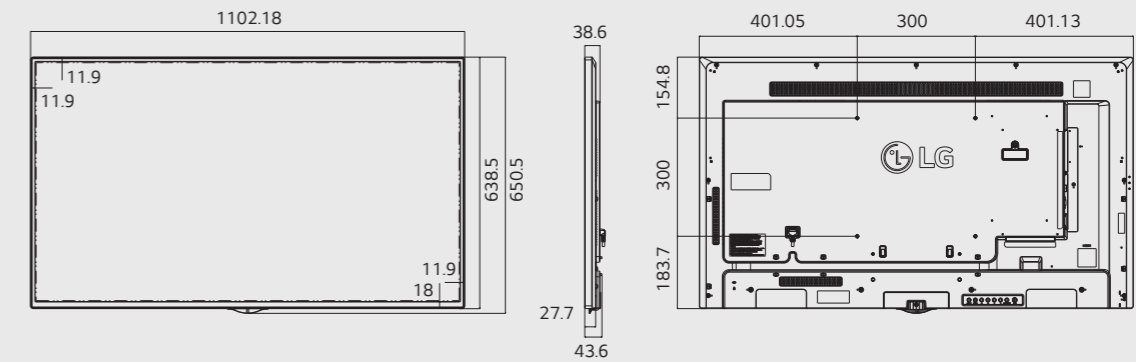
### 55"

1,238 x 714.9 x 38.6 /  
17.1 kg



### 49"

1,102.2 x 638.5 x 38.6 /  
13.9 kg



### 43"

969.6 x 563.9 x 38.6 /  
9.6 kg

