


AMS READY


The Atlona **4K-HDVS-EXT-WP** is an HDBaseT™ transmitter and receiver combination that delivers a complete integration solution with 4K/UHD extension, automatic HDMI and VGA input switching, and automatic display control. It includes the **AT-HDVS-200-TX-WP** two-input HDBaseT wall plate switcher and **AT-UHD-EX-100CE-RX-PSE** HDBaseT receiver. The 4K-HDVS-EXT-WP extends HDMI up to 330 feet (100 meters) over category cable with Ethernet pass-through and control. This HDBaseT extender solution supports video signals up to 4K/UHD @ 60 Hz with 4:2:0 chroma subsampling, plus embedded multi-channel audio.

The transmitter is remotely powered by the receiver via Power over Ethernet. This makes the 4K-HDVS-EXT-WP ideal for applications in which the transmitter needs to be installed at a wall location or in a lectern where local AC power may not be available.

2x1 HDBaseT wall plate switcher in a US two-gang, Decora®-style form factor -

- Features an HDMI input and a VGA input with audio
- Allows advanced HDMI display devices to be used with legacy VGA sources
- Audio input can be assigned to either video input

4K/UHD capability @ 60 Hz with 4:2:0 chroma subsampling -

- Compatible with HDMI sources up to 4K/60 4:2:0 and 4K/30 4:4:4
- Supports high resolution applications such as CAD, 3D visualization, desktop publishing, and detailed financial reporting

HDCP 1.4 compliant

- Adheres to version 1.4 specification for High-bandwidth Digital Content Protection
- Allows protected content stream to pass between devices

Extended distance HDMI extension -

- Transmits AV, control, and Ethernet up to 330 feet (100 meters) @ 1080p with CAT5e/6 or 4K/UHD using CAT6a/7 cable
- Uses easy-to-integrate category cable for low-cost, reliable system installation

Automatic Display Control -

- Automatically changes display power state based on active or standby mode of the switcher. Control signals to display are transmitted via IP, RS-232, or CEC
- Eliminates the need for a complex control system

Automatic input selection using hot plug detect and video detection technology -

- Selects active input when sources are connected or if there is a change in source power status
- Enables simplified, automatic system operation with no user intervention necessary

Transmitter powered by receiver via PoE (Power over Ethernet) -

- Power for transmitter is supplied by receiver over HDBaseT
- Allows convenient transmitter installation at a wall or in a lectern without the need for local AC power

Specifications

Video Resolutions

Video	4096x2160@24/25/30/50*/60Hz*, 3840x2160@24/25/30/50*/60Hz* (UHD), 2048x1080p, 1080p@23.98/24/25/29.97/30/50/59.94/60Hz, 1080i@50/59.94/60Hz, 720p@50/59.94/60Hz, 576p, 576i, 480p, 480i	
VESA	2560x2048, 2560x1600, 2048x1536, 1920x1200, 1680x1050, 1600x1200, 1600x900, 1440x900, 1400x1050, 1366x768, 1360x768, 1280x1024, 1280x800, 1280x768, 1152x864, 1024x768, 800x600, 640x480 (VGA input limited to a max of 1920x1200)	
Color Space	YUV, RGB	
Chroma Subsampling	4:4:4, 4:2:2, 4:2:0*	
Color Depth	8-bit, 10-bit, 12-bit	

Audio

Analog IN	PCM 2Ch	
HDMI IN / HDBaseT OUT	PCM 2Ch, LPCM 5.1, LPCM 7.1, Dolby Digital, DTS 5.1, Dolby Digital Plus, Dolby TrueHD, DTS-HD Master Audio, Dolby Atmos	
Sample Rate	32kHz, 44.1kHz, 48kHz, 88.2kHz, 96kHz, 176.4kHz, 192kHz	
Bit Rate	up to 24-bit	

Distance

CAT5e/6 @ 4K	up to 70M	up to 230 ft
CAT5e/6 @ 1080p	up to 100M	up to 330 ft
CAT6a/7 @ 4K	up to 100M	up to 330 ft

Signal

Bandwidth	10.2 Gbps
CEC	Yes
HDCP	1.4

Temperature

Operating	0°C to 50°C	32°F to 122°F
Storage	-20°C to 60°C	-4°F to 140°F
Humidity	20 to 90% non-condensing	

Power

Consumption	18W
Supply (100CE-RX-PSE)	Input: AC100~240V 50/60Hz Output: DC48V 0.83A

Dimension

Wall (HDVS-200-TX-WP)	2 gang (US)	
H x W x D (100CE-RX-PSE)	25 x 109 x 127 (mm)	0.98 x 4.29 x 5.00 (inch)

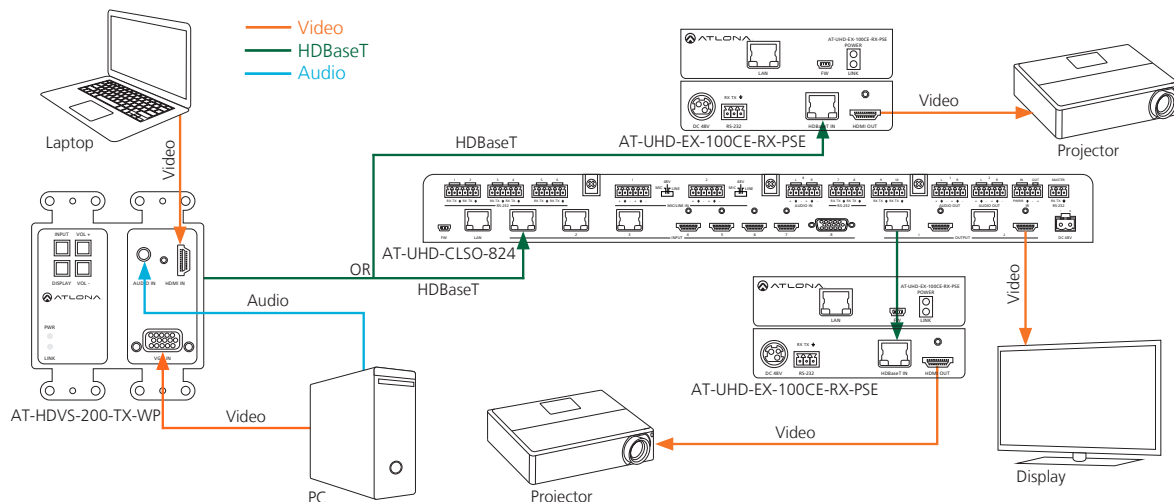
Weight

HDVS-200-TX-WP	0.23 kg	0.5 lbs
100CE-RX-PSE	0.39 kg	0.86 lbs

Certification

Product	CE, FCC
---------	---------

*4096x2160@50/60Hz & 3840x2160@50/60Hz supported @ chroma subsampling 4:2:0 8-bit only



Specifications and availability subject to change without notice. Actual products, product images, and online product images may vary from images shown here. Not responsible for typographical errors.