


AMS READY

The Atlona **AT-UHD-CLSO-840** is a 4K/UHD 8x4 matrix switcher with HDMI® and HDBaseT™ with eight inputs, four discrete outputs, flexible audio integration capabilities, and Ethernet-enabled 100 meter HDBaseT extension with PoE remote device powering. It is highly versatile and ideal for presentation environments with content on multiple displays, as well as videoconferencing, presentation capture, and divisible rooms. The AT-UHD-CLSO-840 supports resolutions up to 4K/UHD at 60 Hz with 4:2:0 chroma subsampling. Ethernet pass-through allows HDBaseT Ethernet extension from a control system or network. Audio system integration is streamlined with audio embedding and de-embedding, independent audio matrix switching, dedicated input and output gain controls, and a five-band EQ for each output. The AT-UHD-CLSO-840 is configured and managed using Atlona Management System software to simplify installation and enable remote monitoring and support.

8x4 matrix switcher with HDBaseT and HDMI inputs and outputs -

- Integrates local and remote sources and destinations based on AV application requirements
- Allows a wide array of system designs with multiple displays, videoconferencing, presentation capture, divisible room configurations, and more

4K/UHD capability @ 60 Hz with 4:2:0 chroma subsampling -

- Compatible with sources and displays up to 4K/60 4:2:0 and 4K/30 4:4:4
- Supports high resolution applications such as CAD, 3D visualization, desktop publishing, and detailed financial reporting

Extended distance HDBaseT extension -

- Delivers AV, control, and Ethernet up to 330 feet (100 meters) @ 1080p with CAT5e/6 or 4K/UHD using CAT6a/7 cable
- Use easy-to-integrate network cabling between sources, control system, matrix switcher, network, and displays

8x4 audio matrix switching for de-embedded audio -

- Allows independent routing of HDMI de-embedded stereo audio to four analog outputs
- Integrates easily with audio destinations including DSPs, sound reinforcement systems, and videoconferencing codecs

HDMI audio embedding -

- Dedicated inputs allow two-channel source audio to be embedded directly onto HDMI and HDBaseT outputs
- Deliver audio from a DSP or videoconferencing codec to a display

PoE power sourcing equipment (PSE) for remote-powered transmitters and receivers -

- Delivers power to PoE-capable HDBaseT devices including the Atlona HDVS and UHD-EX Series
- Allows convenient installation at a lectern, conference table, wall, or display without the need for local AC power

Specifications

Video Resolutions

Video	3840x2160@30/25/24Hz*, 1080p@60/59.9/50/30/29.97/25/24/23.98Hz, 1080i@60/59.94/50Hz, 720p@60/59.94/50Hz, 576p@50Hz, 576i@50Hz, 480p@60/59.96Hz, 480i@60Hz	
VESA	2560x1600, 2048x1536, 1920x1200, 1680x1050, 1600x1200, 1440x900, 1400x1050, 1280x1024, 1280x800, 1366x768, 1360x768, 1152x864, 1024x768, 800x600, 640x480	
Color Space	YUV, RGB	
Chroma Subsampling	4:4:4, 4:2:2, 4:2:0	
Color Depth	8-bit, 10-bit, 12-bit	

Audio

Analog Output	PCM 2Ch (de-embedded)	
HDBaseT Output	PCM 2Ch, LPCM 5.1, LPCM 7.1, Dolby Digital, Dolby Digital Plus, Dolby TrueHD, DTS 5.1, DTS-HD Master Audio	
Sample Rate	32kHz, 44.1kHz, 48kHz, 88.2kHz, 96kHz, 176.4kHz, 192kHz	
Bit Rate	16-bit, 20-bit, 24-bit	

Distance

CAT5e/6 @ 1080p/4K	up to 100M	up to 330 ft
CAT6a/7 @ 1080p/4K	up to 70M	up to 230 ft
HDMI	up to 15 meters	up to 50 feet

Signal

Bandwidth	9 Gbps
CEC	Yes
HDCP	1.4

Temperature

Operating	0°C to 40°C	32°F to 104°F
Storage	-40°C to 70°C	-40°F to 158°F
Humidity	10 to 90% non-condensing	

Power

Consumption	77W
Idle Consumption	60W
Supply	AC 100~240V 50/60Hz

Dimension

H x W x D	88.00 x 438.00 x 306.00 (mm)	3.46 x 17.24 x 12.04 (inch)
H x W x D w/feet	99.00 x 438.00 x 306.00 (mm)	3.90 x 17.24 x 12.04 (inch)
H x W x D w/rack ears	88.00 x 482.60 x 306.00 (mm)	3.46 x 19.00 x 12.04 (inch)
Rack Unit	2U	

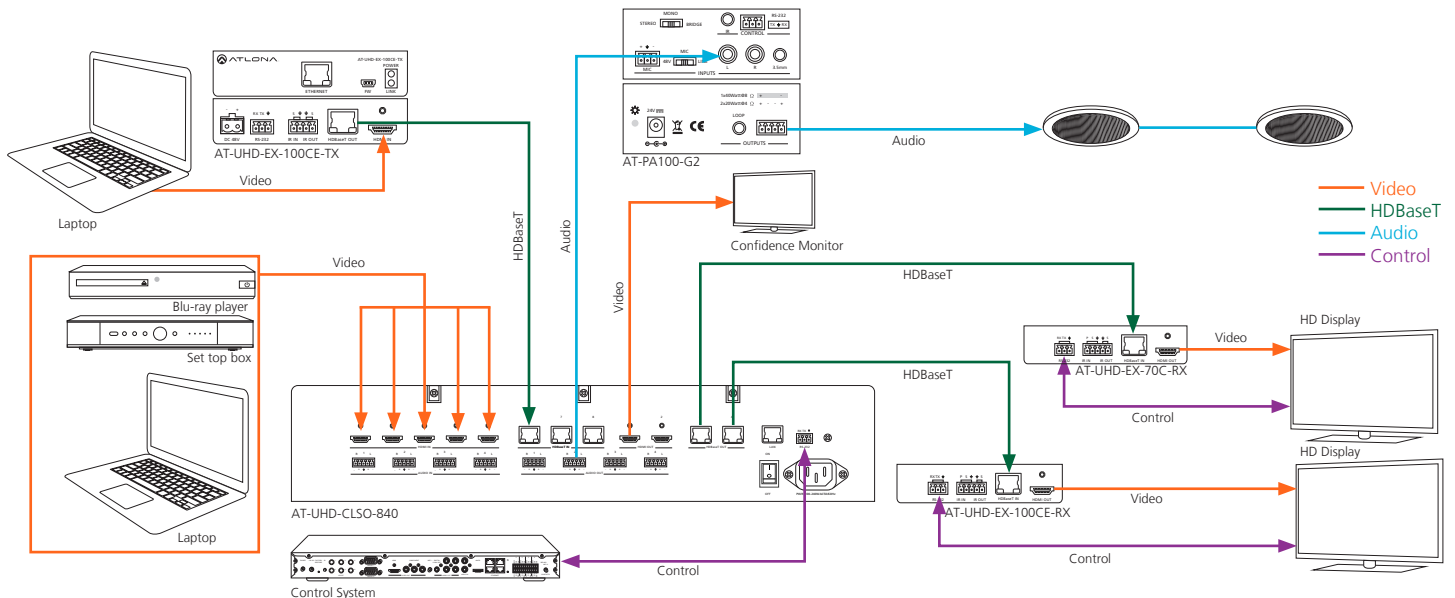
Weight

Device	4.92 kg	10.84 lbs
--------	---------	-----------

Certification

Product	CE, FCC, RoHS, TUV
---------	--------------------

*3840x2160@30/25/24Hz supported @ RGB/4:4:4 8-bit only



Specifications and availability subject to change without notice. Actual products, product images, and online product images may vary from images shown here. Not responsible for typographical errors.