

USER MANUAL MANUALE D'USO

ZM 2124
ZM 2100

- ZM 2000 SYSTEM MAIN UNITS
- UNITÀ CENTRALI DEL SISTEMA
ZM 2000



TABLE OF CONTENTS INDICE



ENGLISH	
SAFETY PRECAUTIONS	4
ZM 2000 SYSTEM DESCRIPTION	6
FRONT PANEL	7
REAR PANEL	10
ZM 2100 - 0 dB ZONE COMMUTATION	18
RACK INSTALLATION	19
SPECIFICATIONS	20
CONNECTION EXAMPLE	21
APPENDIX	22
ITALIANO	
AVVERTENZE PER LA SICUREZZA	24
ZM 2000 – DESCRIZIONE DEL SISTEMA	26
PANNELLO FRONTALE	27
PANNELLO POSTERIORE	30
ZM 2100 – COMMUTAZIONE DELLE ZONE CON SEGNALI A 0 dB	38
INSTALLAZIONE IN RACK 19"	39
SPECIFICHE TECNICHE	40
ESEMPI DI COLLEGAMENTO	41
APPENDICE	42

**IMPORTANT**

Before connecting and using this product, please read this instruction manual carefully and keep it on hand for future reference.

The manual is to be considered an integral part of this product and must accompany it when it changes ownership as a reference for correct installation and use as well as for the safety precautions.

RCF S.p.A. will not assume any responsibility for the incorrect installation and / or use of this product.

WARNING: To prevent the risk of fire or electric shock, never expose this product to rain or humidity.

SAFETY PRECAUTIONS

1. All the precautions, in particular the safety ones, must be read with special attention, as they provide important information.

2.1 POWER SUPPLY FROM MAINS

- **The mains voltage is sufficiently high to involve a risk of electrocution: never install or connect this product when its power cord is plugged in.**
- **Before powering up, make sure that all the connections have been made correctly and the voltage of your mains corresponds to the voltage shown on the rating plate on the unit, if not, please contact your RCF dealer.**
- **The metallic parts of the unit are earthed by means of the power cord.**
- **An apparatus with CLASS I construction shall be connected to a mains socket outlet with a protective earthing connection.**
- **Protect the power cord from damage. Make sure it is positioned in a way that it cannot be stepped on or crushed by objects.**
- **To prevent the risk of electric shock, never open this product: there are no parts inside that the user needs to access.**
- **The mains plug is used as the disconnect device and it shall remain readily operable.**

2.2 SECONDARY (/ EMERGENCY) POWER SUPPLY THROUGH BATTERIES

- **The apparatus operating voltage is 24 V dc (therefore, it is necessary to connect in series several batteries having a lower nominal voltage, example: 2 x 12 V).**
- **Always use rechargeable batteries, which need to be chosen according to the maximum possible load.**
- **Verify the polarity of batteries is correct.**
- **Do NOT short-circuit batteries (i.e. connecting the 2 opposite poles together with metallic wires).**
- **Throw empty batteries away according to your country laws about ecology and environment protection.**

3. Make sure that no objects or liquids can get into this product, as this may cause a short circuit. This apparatus shall not be exposed to dripping or splashing.

No objects filled with liquid (such as vases) and no naked sources (such as lighted candles) shall be placed on this apparatus.

4. Never attempt to carry out any operations, modifications or repairs that are not expressly described in this manual.

Contact your authorized service centre or qualified personnel should any of the following occur:

- **The product does not function (or functions in an anomalous way).**
- **The power supply cord has been damaged.**
- **Objects or liquids have got in the unit.**
- **The product has been subject to a heavy impact.**

5. If this product is not used for a long period, disconnect the power cord (and / or batteries).

IMPORTANT**WARNING**

6. If this product begins emitting any strange odours or smoke, switch it off immediately and disconnect the power supply cord.

7. The terminals marked with the symbol  are HAZARDOUS LIVE and their connection is to be made by an INSTRUCTED PERSON or the use of ready-made cables is required.

8. Do not connect this product to any equipment or accessories not foreseen.

For suspended installation, only use the dedicated anchoring points and do not try to hang this product by using elements that are unsuitable or not specific for this purpose.

Also check the suitability of the support surface to which the product is anchored (wall, ceiling, structure, etc.), and the components used for attachment (screw anchors, screws, brackets not supplied by RCF etc.), which must guarantee the security of the system / installation over time, also considering, for example, the mechanical vibrations normally generated by transducers.

To prevent the risk of falling equipment, do not stack multiple units of this product unless this possibility is specified in the user manual.

9. RCF S.p.A. strongly recommends this product is only installed by professional qualified installers (or specialised firms) who can ensure correct installation and certify it according to the regulations in force.

The entire audio system must comply with the current standards and regulations regarding electrical systems.

10. Supports and trolleys

The equipment should be only used on trolleys or supports, where necessary, that are recommended by the manufacturer. The equipment / support / trolley assembly must be moved with extreme caution. Sudden stops, excessive pushing force and uneven floors may cause the assembly to overturn.

11. Mechanical and electrical factors need to be considered when installing a professional audio system (in addition to those which are strictly acoustic, such as sound pressure, angles of coverage, frequency response, etc.).

12. Hearing loss

Exposure to high sound levels can cause permanent hearing loss. The acoustic pressure level that leads to hearing loss is different from person to person and depends on the duration of exposure. To prevent potentially dangerous exposure to high levels of acoustic pressure, anyone who is exposed to these levels should use adequate protection devices.

When a transducer capable of producing high sound levels is being used, it is therefore necessary to wear ear plugs or protective earphones.

See the technical specifications in loudspeaker instruction manuals to know their maximum sound pressure levels.

13. Do not obstruct the ventilation grilles of the unit. Situate this product far from any heat sources and always ensure adequate air circulation around the ventilation grilles.

14. Do not overload this product for a long time.

15. Never force the control elements (keys, knobs, etc.).

16. Do not use solvents, alcohol, benzene or other volatile substances for cleaning the external parts of this product. Use a dry cloth.

NOTES ABOUT AUDIO SIGNAL CABLES



To prevent the occurrence of noise on microphone / line signal cables, use screened cables only and avoid putting them close to:

- Equipment that produces high-intensity electromagnetic fields
- Mains cables
- Loudspeaker lines.

RCF S.P.A. THANKS YOU FOR PURCHASING THIS PRODUCT, WHICH HAS BEEN DESIGNED TO GUARANTEE RELIABILITY AND HIGH PERFORMANCES.

ZM 2000 SYSTEM DESCRIPTION



ZM 2000 is a versatile multi-zone sound system suitable for paging and background music. The system main unit is available in two models:

- ZM 2124 includes a preamplifier with 6-zone selection and a built-in 240W amplifier
- ZM 2100 includes a preamplifier with 6-zone selection (no internal amplifier).

ZM 2124 and ZM 2100 have input connectors for sources and can manage priority and route the two buses to the system zones.

A system can include just a single main unit (either ZM 2124 or ZM 2100) for a basic 6-zone system.

ZM 2124 is mostly indicated for small systems, where the required power per zone is limited.

It includes an output level control for each of the 6 zones powered by the internal 240W amplifier. An additional external amplifier is needed to keep the music programme in zones not involved by paging.

ZM 2100 allows you to choose either a power-sharing configuration by using one or two external amplifiers (the second is needed to keep music in zones not paged) for all the 6 zones or to use an amplifier (or more) per each zone.

Up to 8 ZE 2200 6-zone expanders can be added in order to increase the system zones up to 54.

Each ZE 2200 offers the possibility to either share the main unit music programme or insert a local source.

All ZM 2124 / ZM 2100 main units and ZE 2200 expanders are based on a dual bus architecture, where the first bus is mainly dedicated for selective / all-call paging, while the second bus is for music distribution (or other signals).

All units have a toggle button per zone to turn on / off the second bus (music) and logic inputs / outputs (GPI / GPO) to interface the system with other devices.

ZM 2124 and ZM 2100 inputs:

- 2 MIC and 2 MIC / LINE (with configurable priority among them).
- 2 local (plus 1 through RC 2946 remote control) selectable AUX on the music bus.
- 1 additional AUX INPUT with priority and sent to the paging bus.
- A dedicated paging input for up to six BM 2006 paging microphones.
- An emergency audio input.

Inputs 1 to 4 and AUX have level and tone controls on the front panel.

Paging can be preceded by a selectable chime.

All ZM 2124 / ZM 2100 main units and ZE 2200 expanders can be powered by mains (115 / 230 V) or 24 V dc. All are provided with 19" rack mounting accessories: 3 rack units for ZM 2124 / ZM 2100, 1 rack unit for ZE 2200.

BM 2006 are suitable paging microphones to complete the system, with 6-zone keys plus 'All-Call' and 'PTT'. Up to six BM 2006 can be daisy-chained to a main unit.

BE 2012 are additional keyboards that need to be linked to a BM 2006 paging microphone and each adds 12 zone keys.

One or more BE 2012 are necessary to page zones related to ZE 2200 expanders.

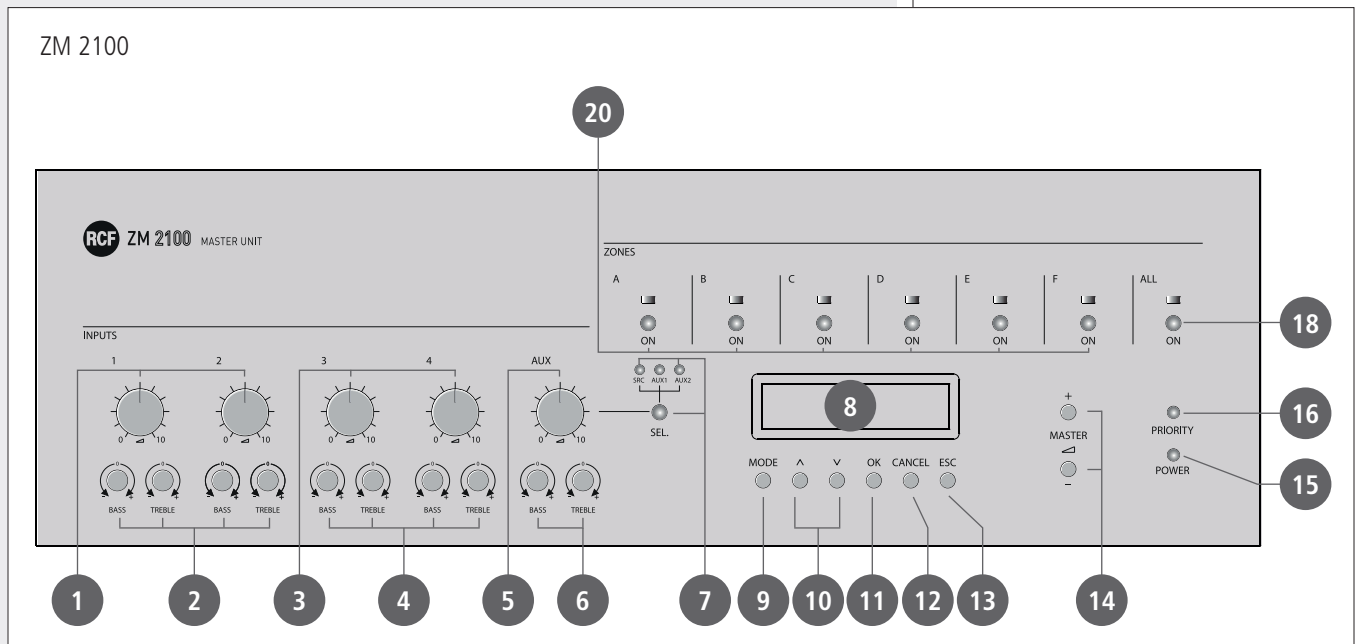
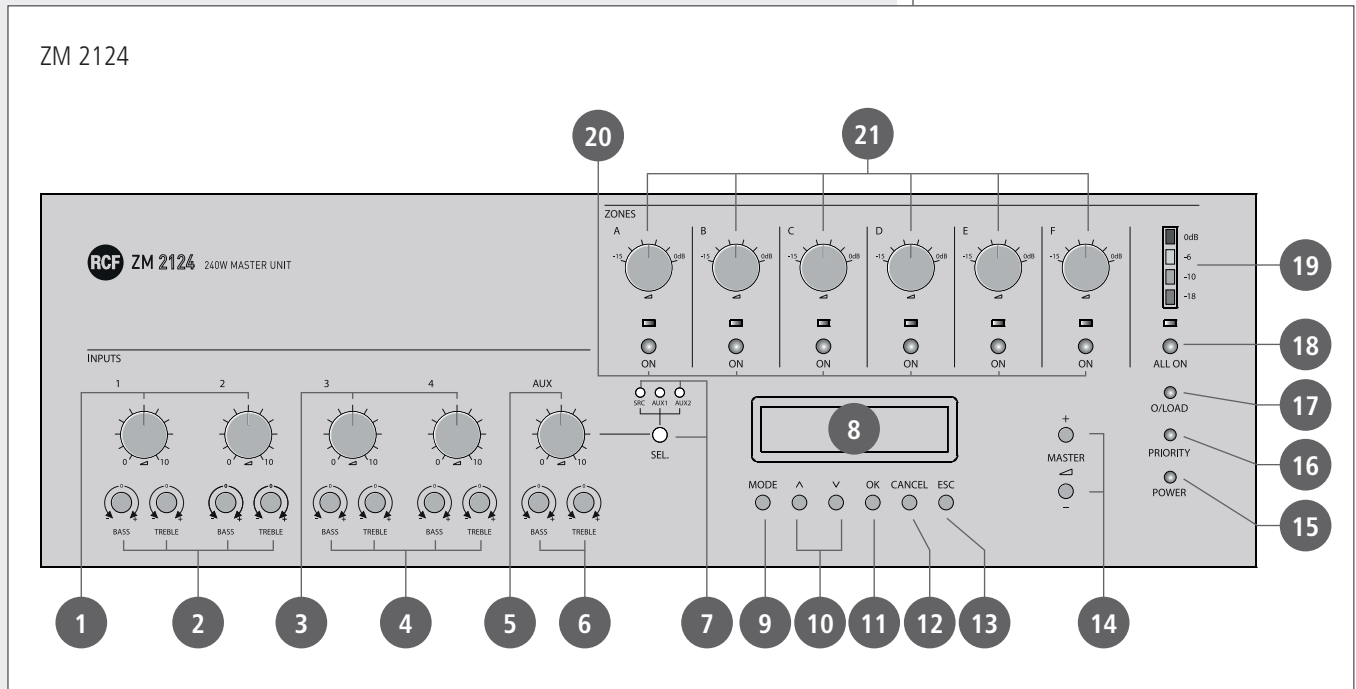
It is possible to link up to four BE 2012 to reach the maximum system capability of 54 zones.

BM 3022 are all-call paging microphones (on the music bus) that can be directly connected (by sharing the same line) to the main unit MIC 1 input.

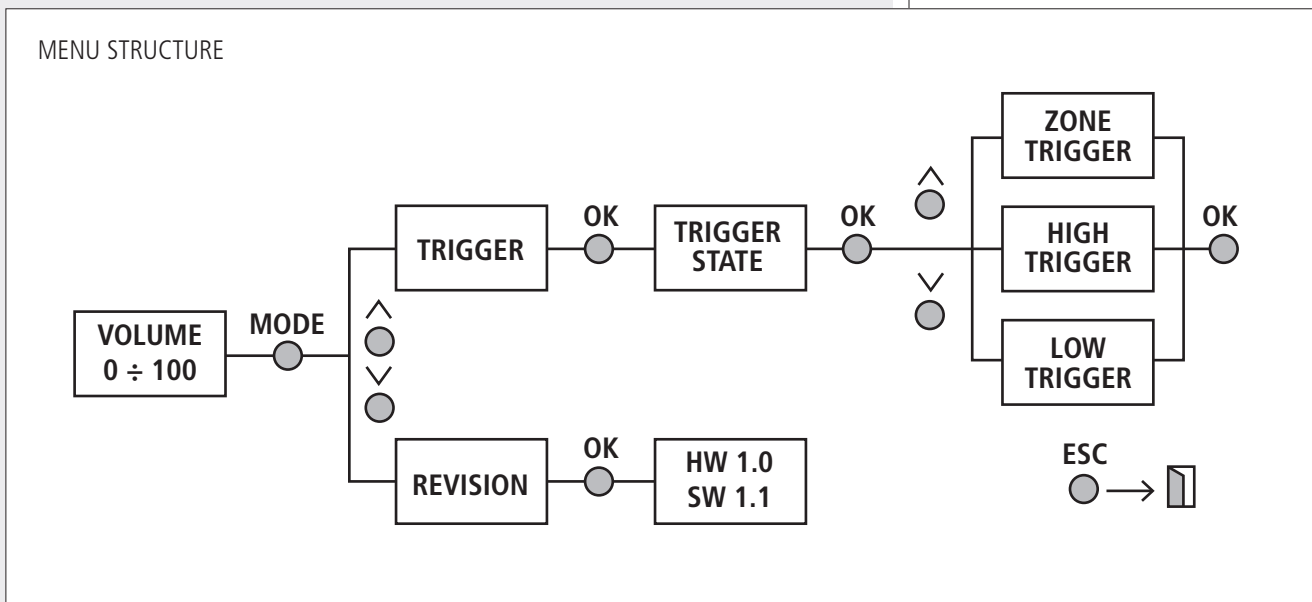
All paging console connections are made through CAT5 FTP cable.

RC 2946 remote controls are wall-mount devices for AUX input selection and zone activation (music bus).

FRONT PANEL



- 1 INPUT 1 / 2** volume controls
Turn a control fully counterclockwise (to 0) if its respective input is not used at all.
- 2 BASS** and **TREBLE** tone controls of the inputs 1 / 2
Centre position: flat frequency response. Use a screw driver to adjust the levels.
- 3 INPUT 3 / 4** volume controls
Turn a control fully counterclockwise (to 0) if its respective input is not used at all.
- 4 BASS** and **TREBLE** tone controls of the inputs 3 / 4
Centre position: flat frequency response. Use a screw driver to adjust the levels.
- 5 AUX INPUT** volume control
It can be used to adjust the level of either aux inputs 1 / 2 or the RC 2946 remote control input (when the selector **7** is set to SRC).
- 6 BASS** and **TREBLE** tone controls of the aux inputs 1 / 2 (or the RC 2946 remote control input)
Centre position: flat frequency response. Use a screw driver to adjust the levels.
- 7 AUX SELECTOR** with LEDs
Press (once or twice) to select sequentially either the RC 2946 remote control input (SRC) or the AUX input 1 (**AUX 1**) or the aux input 2 (**AUX 2**).
The selected input is open, while the other 2 are muted.
- 8 LCD**
The display normally indicates the master volume (value: 0 ÷ 100, use **MASTER** keys **14** to adjust the level).
- 9 MODE** key
Press to enter the menu, press the **ESC** key **13** to exit.



TRIGGER STATE SETTING

It is possible to select among 3 different options:

- **ZONE TRIGGER:** when a logic input (GPI) is linked to 24V OUT, the output zone (the music bus) and the logic output (GPO) having the same number are activated.
- **HIGH TRIGGER:** when a logic input (GPI) is not linked to 24V OUT, the logic output (GPO) having the same number is activated.
- **LOW TRIGGER:** when a logic input (GPI) is linked to 24V OUT, the logic output (GPO) having the same number is activated.

REVISION

The current hardware (HW) and software (SW) releases are displayed.

10 **^ V** keys

Press **^** (up) or **V** (down) to scroll a menu.

11 **OK** key

Press to enter a menu or select an option.

12 **CANCEL** key

Press to return to the previous menu (one step back).

13 **ESC** key

Press to exit from the current menu and return to the display main page.

14 **MASTER VOLUME** keys

Press either '+' to increase the volume or '-' to decrease it.
The master volume level (0 ÷ 100) is displayed on the LCD.

15 **POWER LED**

LED lit when ZM 2124 / 2100 is operating (POWER ON).

16 **PRIORITY LED**

LED lit when the priority function is activated.

17 **OVERLOAD LED** (ZM 2124 only)

LED (when lit) indicating the internal amplifier overload.

18 **ALL ON** key with LED

Press to select all the output zones. The 'ALL ON' and all zone 'ON' LEDs will get lit.

19 **VU METER** (LED bar, ZM 2124 only)

LED bar indicating the signal level of the mix sent to the internal amplifier.

0 dB = SIGNAL LEVEL THAT ALLOWS TO GET THE AMPLIFIER MAXIMUM OUTPUT POWER.

20 **Zone ON** switches (A to F)

Press one or more switches to turn on / off the music bus on their respective zones.
Each LED is steady lit when its respective zone is selected (or flashing when paging).

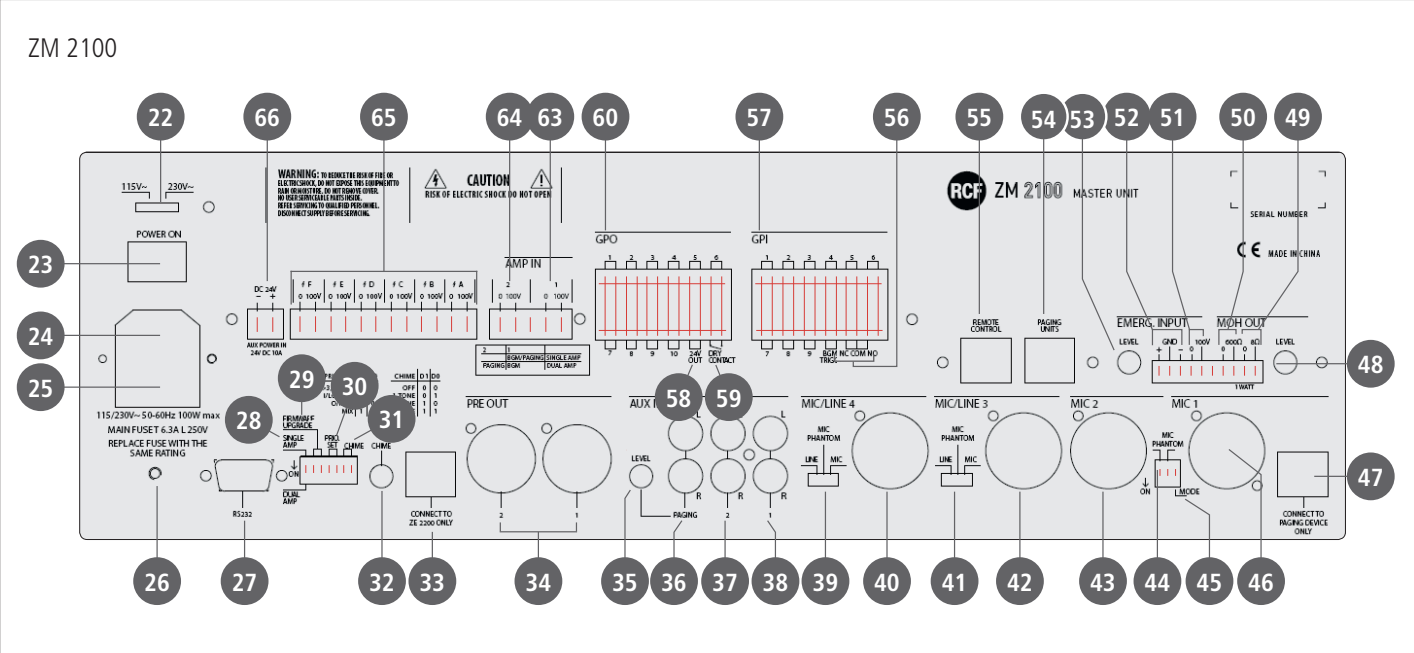
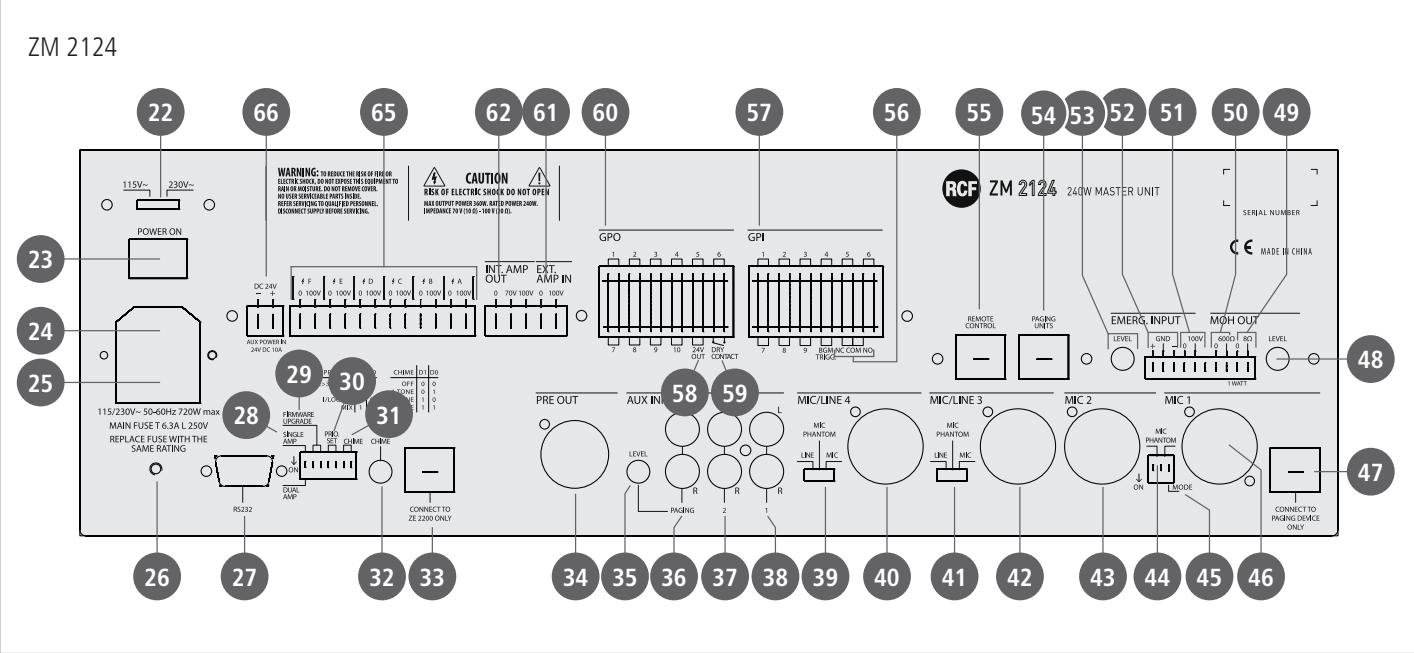
21 **Zone level controls** (A to F, ZM 2124 only)

Each control adjust the zone 'music bus' level from -15 dB to 0 dB (no attenuation) in steps of 3 dB.

TRIGGER STATE SETTING

REVISION





22 AC voltage selector (115 – 230 V ac)

WARNING: BEFORE POWERING UP, MAKE SURE THE SELECTED VOLTAGE CORRESPONDS TO THE MAINS ONE.

23 **POWER ON** switch (0 = off, 1 = on)

24 **AC** inlet for the power cord.

25 **AC FUSE**
Always use a fuse as specified below the AC inlet.

26 **CHASSIS GROUND**



THE METALLIC PARTS OF THE UNIT ARE EARTHED BY MEANS OF THE POWER CORD. AN APPARATUS WITH CLASS I CONSTRUCTION SHALL BE CONNECTED TO A MAINS SOCKET OUTLET WITH A PROTECTIVE EARTHING CONNECTION.



27 RS 232 port (for RCF service only, i.e. firmware upgrade).

28 SINGLE / DUAL AMPLIFIER dip-switch

DIP-SWITCH	INTERNAL AMPLIFIER FUNCTION	ADDITIONAL EXTERNAL AMPLIFIER FUNCTION
SINGLE AMP.	Paging and background music	(not connected)
DUAL AMP.	Background music	Paging

29 FIRMWARE UPGRADE dip-switches

For RCF service only: both dip-switches need to be set to ON before upgrading the firmware through RS 232 port.

Normal operating: set both dip-switches to OFF.

30 INPUT 1 to 4 PRIORITY SET dip-switches

D1	D0	PRIORITY SETTING	DESCRIPTION
0 (off)	0 (off)	1 > 2 > 3 > ...	Only one input can be open at the same time. The priority is graduated: input 1 over 2, 2 over 3-4, 3-4 over AUX 1, 2
0 (off)	1 (on)	I/LOCKED	Only the first served input is open.
1 (on)	0 (off)	O/RIDE	Only one input can be open at the same time. The next used input always gets the priority over the previous one.
1 (on)	1 (on)	MIX	All inputs are open and mixed.

31 MIC 1 (RJ 45 port) **47) CHIME setting dip-switches**

D1	D0	CHIME SETTING
0 (off)	0 (off)	No chime
0 (off)	1 (on)	1-tone chime
1 (on)	0 (off)	2-tone chime
1 (on)	1 (on)	4-tone chime

Use a BM 3022 paging microphone (or short the RJ45 pins 3 and 6 of the MIC 1 input) to play the chime.

32 CHIME volume control

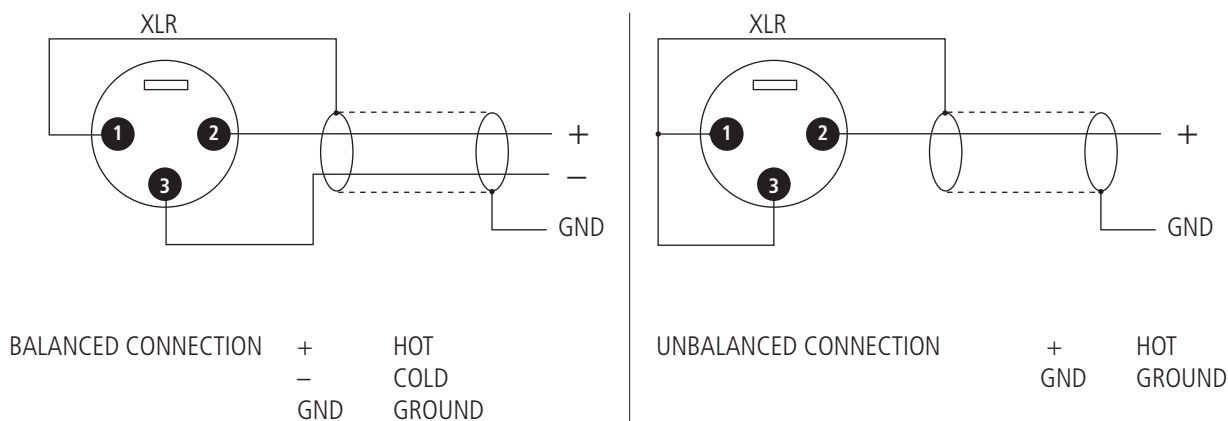
Turn it either clockwise to increase the chime level or counterclockwise to decrease it. Use a BM 3022 paging microphone (or short the RJ45 pins 3 and 6 of the MIC 1 input) to play the chime.

33 CONNECT TO ZE 2200 ONLY

RJ 45 port to connect the first ZE 2200 6-zone expander only.

34 PRE OUT

0 DB BALANCED OUTPUT(S) OF THE INTERNAL PREAMPLIFIER.



ZM 2124 has 1 output with XLR connector.

In the dual amplifier mode, link this output to the input of the external amplifier used for paging.

ZM 2100 has 2 outputs (1, 2) with XLR connectors.

In the single amplifier mode, link the output 1 to the input of the external amplifier used for both paging and background music.

In the dual amplifier mode, link the output 1 to the input of the external amplifier used for background music and the output 2 to the input of the external amplifier used for paging.

If using one or more external amplifiers per each zone (ZM 2100 only), link the output 1 directly to AMP IN 1 (63) and the output 2 directly to AMP IN 2 (64) (see the 'ZM 2100 - 0 dB zone commutation' manual section).

35 AUX INPUT 3 PAGING LEVEL

Turn it either clockwise to increase the level or counterclockwise to decrease it.

36 AUX INPUT 3 PAGING (dual RCA socket, unbalanced)

THIS INPUTS GETS PRIORITY (IN THE PAGING BUS) WHEN SHORTING THE BGM TRIGG LOGIC INPUT.

37 AUX INPUT 2 (dual RCA socket, unbalanced)

38 AUX INPUT 1 (dual RCA socket, unbalanced)

THE TWO CHANNELS OF THE STEREO SOURCES CONNECTED TO THE AUX INPUTS ARE SUMMED TO GET A MONO SIGNAL.

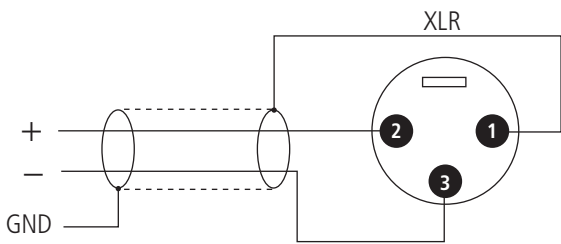


39 MIC/LINE 4 audio input switch.

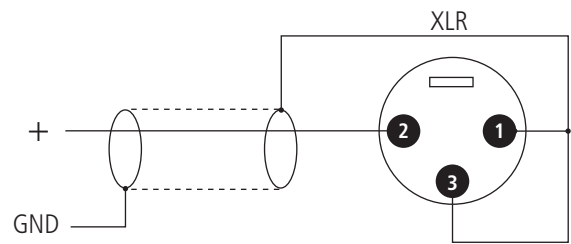
MIC	Audio input sensitivity set to MIC. The 'Phantom' power supply is disabled. Use: dynamic microphones.
MIC PHANTOM	Audio input sensitivity set to MIC. The 'Phantom' power supply is enabled. Use: electret microphones.
LINE	Audio input sensitivity set to LINE. The 'Phantom' power supply is disabled. Use: 'line' level signals.

40 MIC/LINE 4 audio input (combo XLR – 1/4" jack connector):

XLR SOCKET



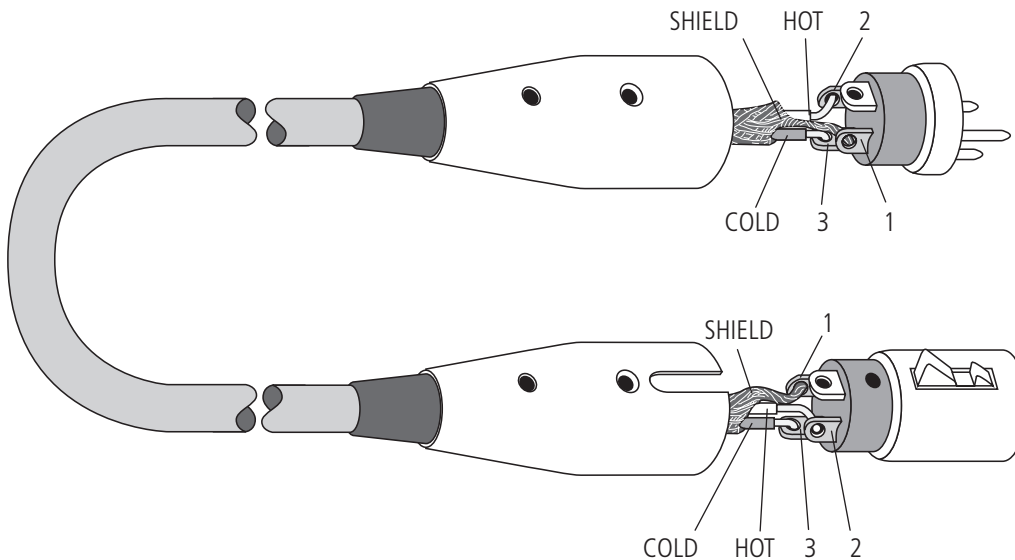
BALANCED CONNECTION + HOT
 - COLD
 GND GROUND



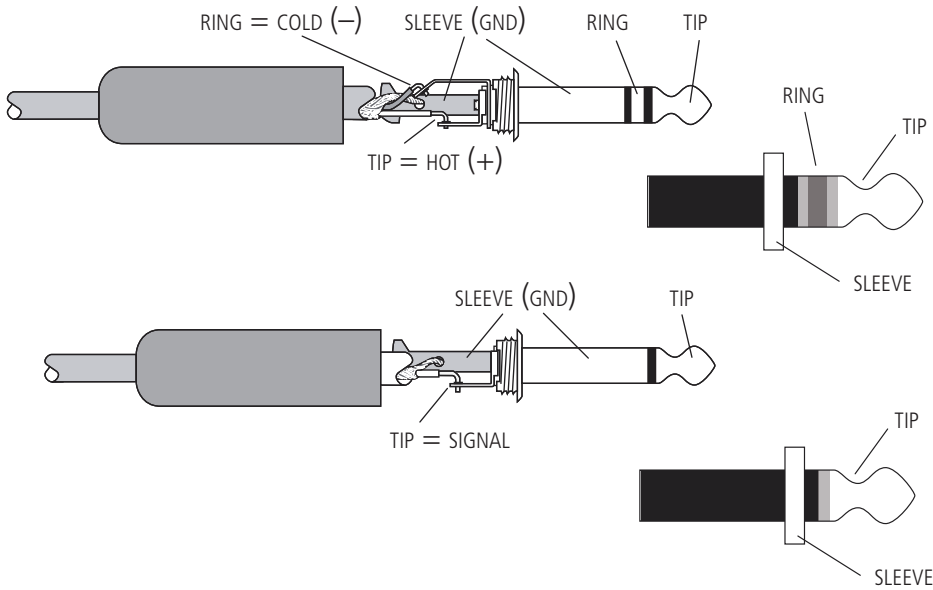
UNBALANCED CONNECTION + HOT
 GND GROUND

MIC CABLE WITH XLR CONNECTORS

- 1 – SHIELD (GND)
- 2 – HOT (+)
- 3 – COLD (-)



1/4" TRS JACK CONNECTOR



Do NOT use an UNBALANCED CONNECTION when the 'PHANTOM' power supply is switched ON!

The BALANCED CONNECTION is always preferable, especially with cables longer than 5 METERS.



- 41 **MIC/LINE 3** audio input switch.
See the MIC/LINE 4 audio input switch [39] options.
- 42 **MIC/LINE 3** audio input (combo XLR – 1/4" jack connector)
See the MIC/LINE audio input 4 40 for the connection.
- 43 **MIC 2** audio input (combo XLR – 1/4" jack connector)
See the MIC/LINE audio input 4 40 for the connection.
- 44 **MIC PHANTOM** dip-switches
Phantom power ON/ OFF dip-switches for MIC 2 43 and MIC 1 46 inputs.
- 45 **MIC 1 MODE** dip-switch

ON	All-call paging microphones (i.e. BM 3022) connected to the MIC 1 RJ 45 port 47 can make announcements preceded by the chime with priority on the music bus. The MIC 1 input with XLR socket 46 is muted.
OFF	The MIC 1 RJ 45 47 port has the same function of the MIC 1 input with XLR socket 46 . The chime is disabled.

- 46 **MIC 1** audio input (combo XLR – 1/4" jack connector)
See the MIC/LINE audio input 4 40 for the connection.
- 47 **MIC 1** audio input (RJ 45 port)
RJ 45 port for a line made of all-call paging microphones (i.e. BM 3022).

48 MOH OUT LEVEL

It adjusts the 'Music On Hold' output level.
Turn it either clockwise to increase the level or counterclockwise to decrease it.

49 MOH OUT 8 Ω (amplified output, removable connector)

Output for a music (AUX 1 – 2) monitor loudspeaker having a 8-ohm impedance (max. power: 1 W).
Link the '8 Ω' pin to the loudspeaker + terminal and the '0' pin to the loudspeaker – terminal.

50 MOH OUT 600 Ω (removable connector)

'Music On Hold' balanced 0 dB audio output.

51 EMERGENCY INPUT (100 V, removable connector)

100 V input for emergency signals.

52 EMERGENCY INPUT (0 dB signal, removable connector)

0 dB balanced audio input for emergency signals.

53 EMERGENCY INPUT LEVEL

It adjusts the emergency input level.
Turn it either clockwise to increase the level or counterclockwise to decrease it.

THE EMERGENCY INPUT HAS THE HIGHEST PRIORITY AND OVERRIDES ALL THE OTHERS. THIS INPUT HAS THE 'VOX FUNCTION', WHICH IS THE AUTOMATIC DETECTION OF THE SIGNAL PRESENCE (WHEN ABOVE THE PREDETERMINED THRESHOLD LEVEL).

54 PAGING UNITS INPUT (RJ 45 port)

Up to six (daisy-chained) BM 2006 (6-zone paging microphone) can be connected to this port.

55 REMOTE CONTROL INPUT (RJ 45 port)

Input for a RC 2946 wall-mount remote control.

56 NC – COM – NO (removable connector)

Dry contact of an internal relay that is activated when paging.
Pins:

NC	Normally closed
COM	Common
NO	Normally open

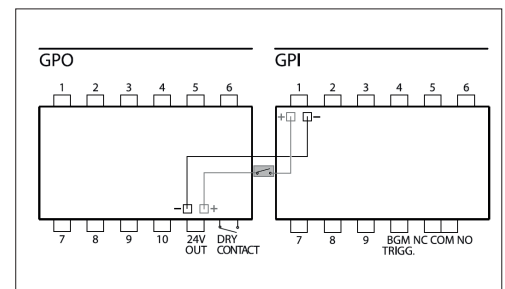
57 GPI ('Generic Purpose Inputs', removable connector)

Logic inputs for commands from other devices.

Through the LCD menu, the function of all GPI 1 ÷ 9 can be chosen among 3 options:

- **ZONETRIGGER:** when a logic input (GPI) is linked to 24V OUT, the output zone (the music bus) and the logic output (GPO) having the same number are activated.
- **HIGH TRIGGER:** when a logic input (GPI) is not linked to 24 V OUT, the logic output (GPO) having the same number is activated.
- **LOW TRIGGER:** when a logic input (GPI) is linked to 24 V OUT, the logic output (GPO) having the same number is activated.

There is a tenth logic input labelled BGM TRIGG. that gives priority to AUX INPUT 3 (PAGING).



58 24 V OUT (removable connector)
24 V dc output for logic inputs (GPI) and external equipment (I max: 800 mA).

59 DRY CONTACT (removable connector)
Dry contact that will be closed in case of a fault is detected in the main unit.

60 GPO ('Generic Purpose Outputs', removable connector)
10 logic outputs that are activated (the 2 pins get shorted) when paging their respective zone or due to a GPI command.
For instance, the GPO 3 is on when paging the zone 3.

61 EXT. AMP IN (ZM 2124 only, removable connector)
Input for the connection of the external amplifier 100 V output when ZM 2124 is set to the dual amplifier mode (through the respective dip-switch **28**).

The external amplifier is used for paging only and its input needs to be linked to the ZM 2124 PRE OUT **34**.

THE EXTERNAL AMPLIFIER SHALL HAVE ENOUGH POWER FOR ALL LOUDSPEAKERS (SUGGESTED: 240 W, LIKE THE INTERNAL AMPLIFIER POWER).

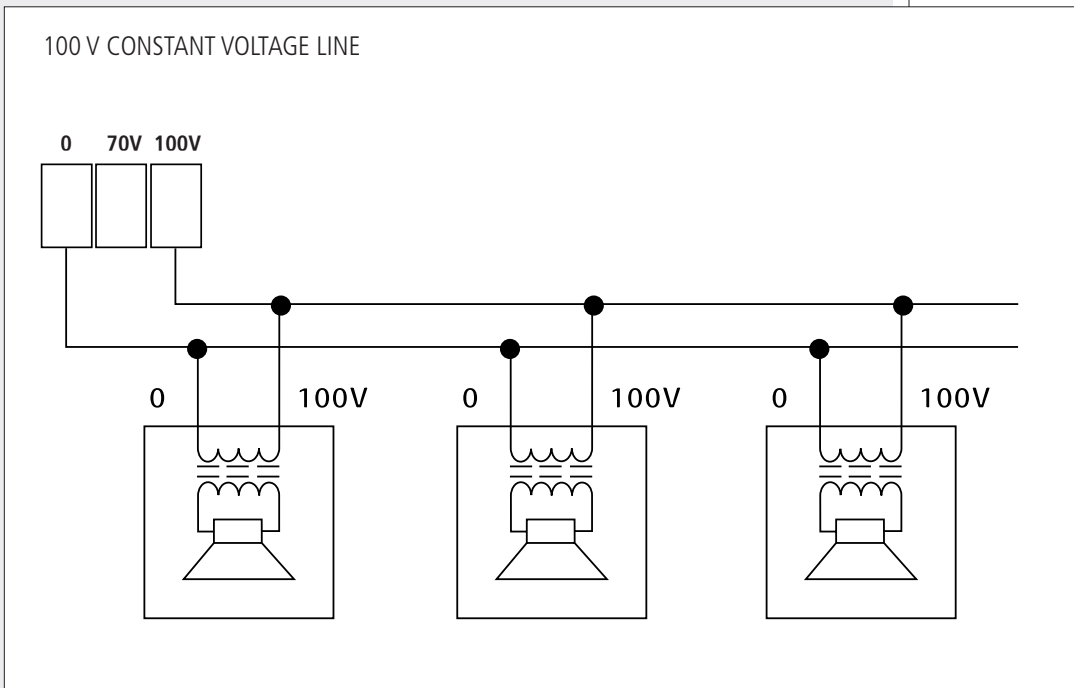
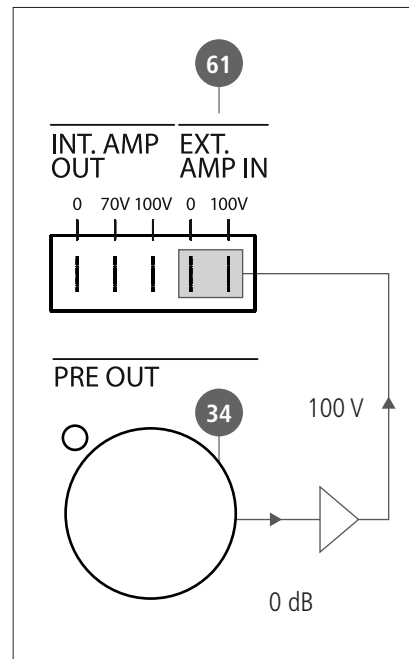
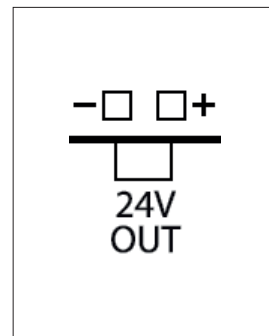
IF ZM 2124 IS SET TO THE SINGLE AMPLIFIER MODE, THE EXTERNAL AMPLIFIER INPUT IS NOT USED AT ALL.

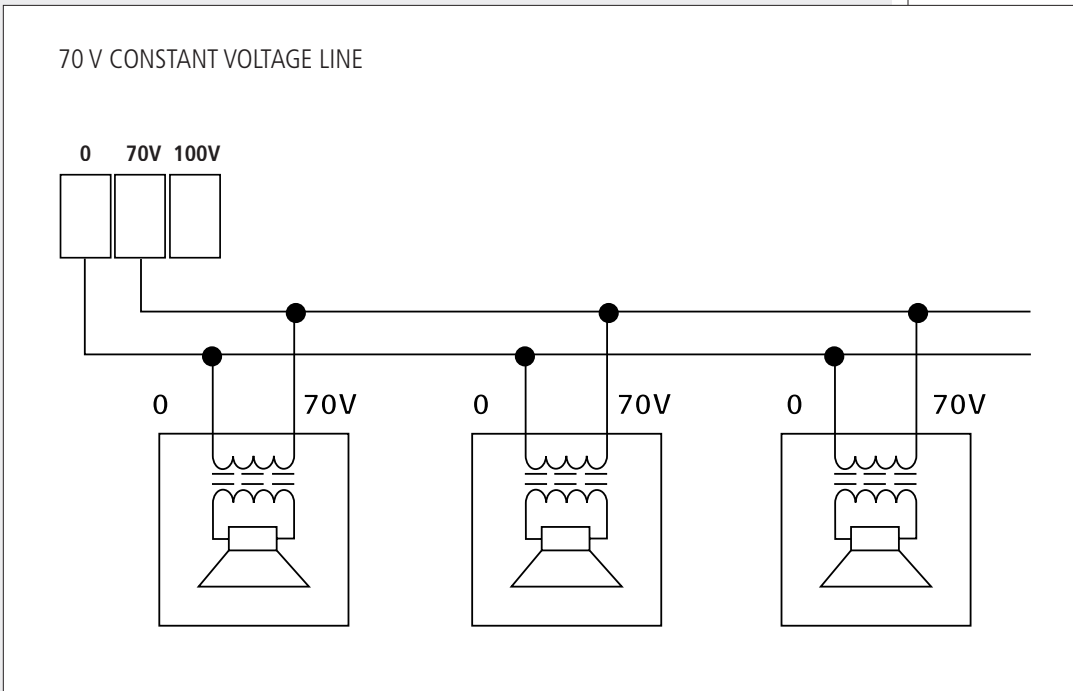
62 INT. AMP OUT (ZM 2124 only, removable connector)

Direct amplifier 100 / 70 V output to loudspeakers (not affected by zone selection).

Each loudspeaker shall have a line transformer with the input voltage equal to the line voltage (70 / 100 V).

The loudspeaker total power (considering all the 6 zones) shall not be higher than the amplifier maximum power (240 W).





63 AMP IN 1 (ZM 2100 only, removable connector)

Input for the connection of the first external amplifier 100 V output in the 'power sharing' configuration (all zones are only served by either one or two amplifiers, one for paging and one for background music).

If ZM 2100 is set to the single amplifier mode (through its respective dip-switch **28**), the external amplifier is used for both paging and background music.

If ZM 2100 is set to the dual amplifier mode, the first external amplifier is used for background music only.

THE FIRST EXTERNAL AMPLIFIER SHALL HAVE ENOUGH POWER (MAX. 240 W) FOR ALL LOUSPEAKERS.

If using an external amplifier per each zone, link the PRE OUT 1 **34** directly to AMP IN 1 **63** (see the next 'ZM 2100 - 0 dB zone commutation' manual section). In this case, all external amplifier inputs will be connected to the loudspeaker outputs **65** (here used as six 0 dB audio outputs, one per zone).

64 AMP IN 2 (ZM 2100 only, removable connector)

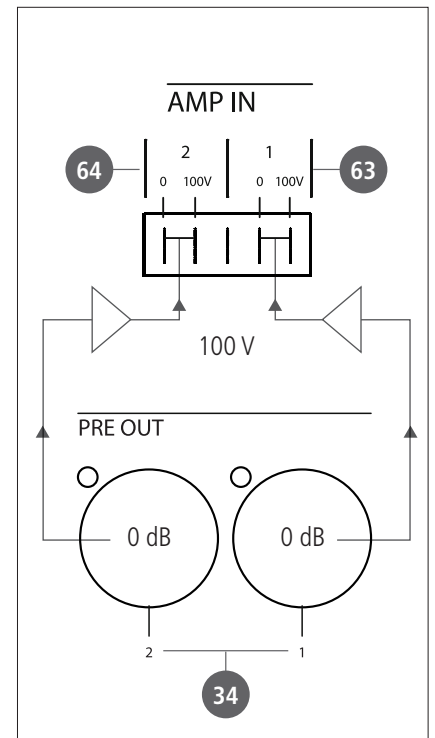
Input for the connection of the second external amplifier 100 V output in the 'power sharing' configuration – dual amplifier mode (all zones are only served by two amplifiers, one for paging and one for background music).

The second external amplifier is used for paging only.

THE SECOND EXTERNAL AMPLIFIER SHALL HAVE ENOUGH POWER (MAX. 240 W) FOR ALL LOUSPEAKERS.

If using an external amplifier per each zone, link the PRE OUT 2 **34** directly to AMP IN 2 **64** (see the next 'ZM 2100 - 0 dB zone commutation' manual section).

In this case, all external amplifier inputs will be connected to the loudspeaker outputs **65** (here used as six 0 dB audio outputs, one per zone).

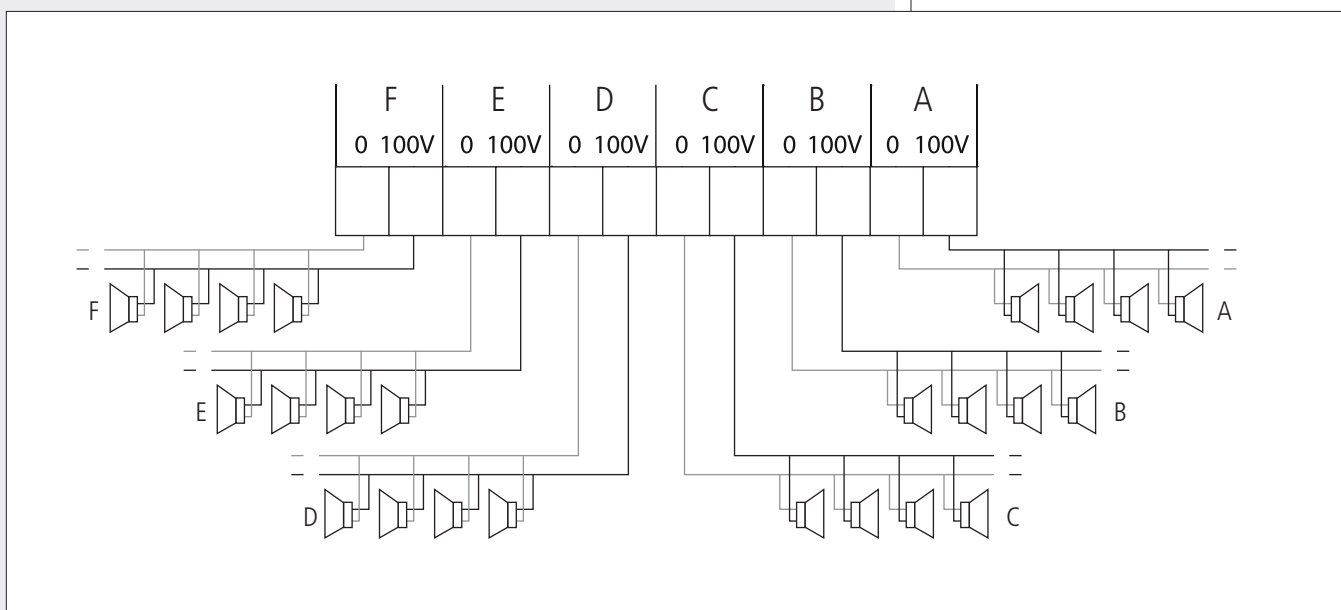


65 A to F (removable connector)

Six 100 V loudspeaker outputs affected by zone selection.

In the 'power sharing' configuration, the total loudspeaker power (the sum of all the 6 zones) cannot exceed 240 W.

Each loudspeaker shall have a 100 V input.



ZM 2100 only: when using one or more external amplifiers per each zone, link every external amplifier input to its respective zone loudspeaker output, which is here used as a 0 dB audio output (see the next 'ZM 2100 - 0 dB zone commutation' manual section).

66 DC 24 V (removable connector)

Input for secondary 24 V dc power supply (i.e. batteries) that will maintain the operation of unit if the AC power (from mains) is temporarily unavailable.

Double check the correct polarity + / - when connecting.

ZM 2100 - 0 dB ZONE COMMUTATION



ZM 2100 allows to use an external amplifier (or more) per each of the 6 zones.

All ZM 2100 internal relays are (in this case) used to switch 0 dB audio signals (instead of 100 V lines).

ZM 2100 needs to be set to the dual amplifier mode through its respective dip-switch [28].

CONNECTIONS

Link the PRE OUT 1 **34** directly to AMP IN 1 **63** and PRE OUT 2 **34** directly to AMP IN 2 **64**.

Link the A ÷ F **65** outputs to the external amplifier inputs.

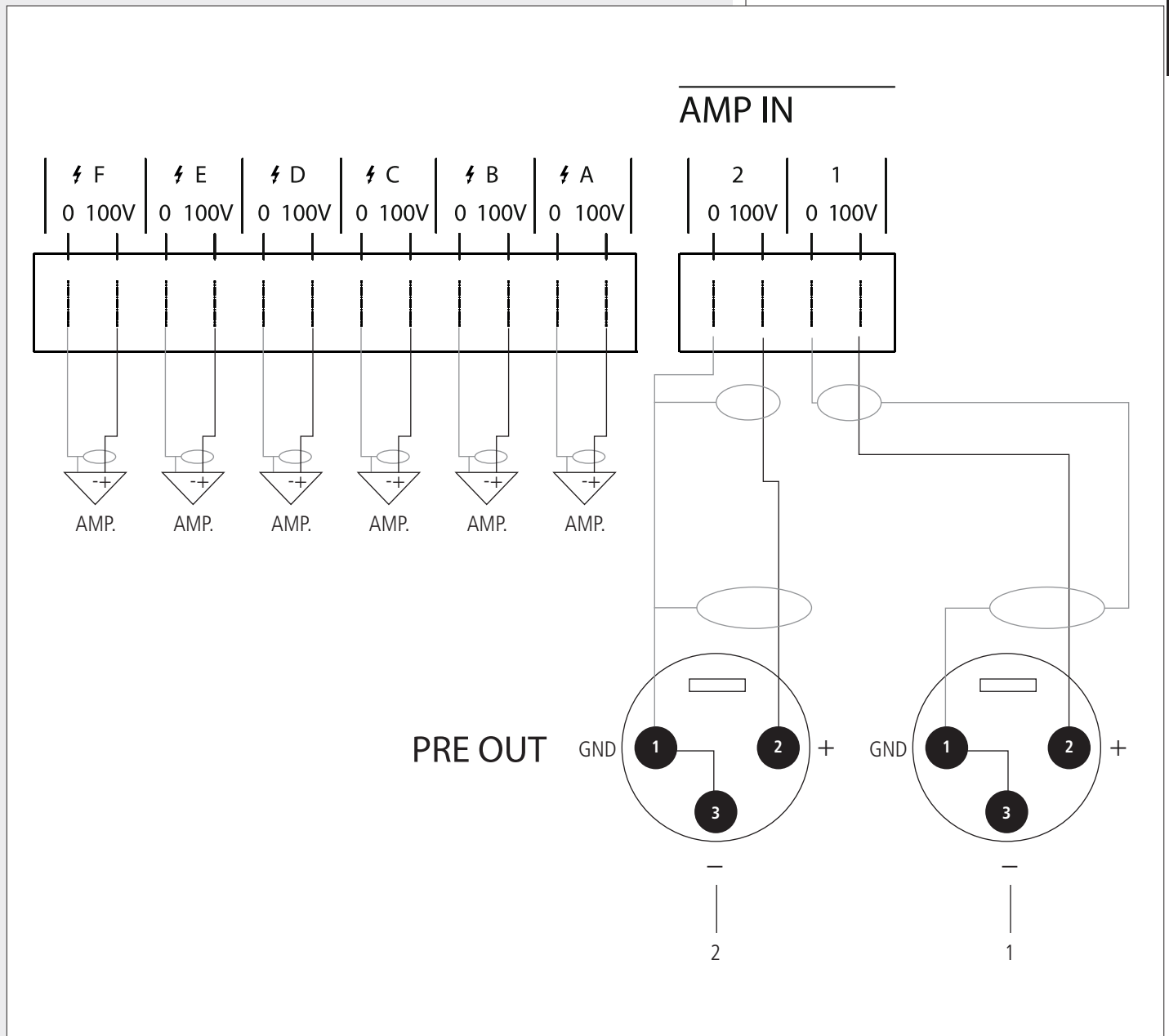
NOTES:

- Custom cables need to be made.
- All ZM 2100 contacts labelled '100 V' are here used for the signal.
- All ZM 2100 contacts labelled '0' are here used for the ground.

CONNECTIONS

NOTES

SEE THE FOLLOWING SCHEMATIC:



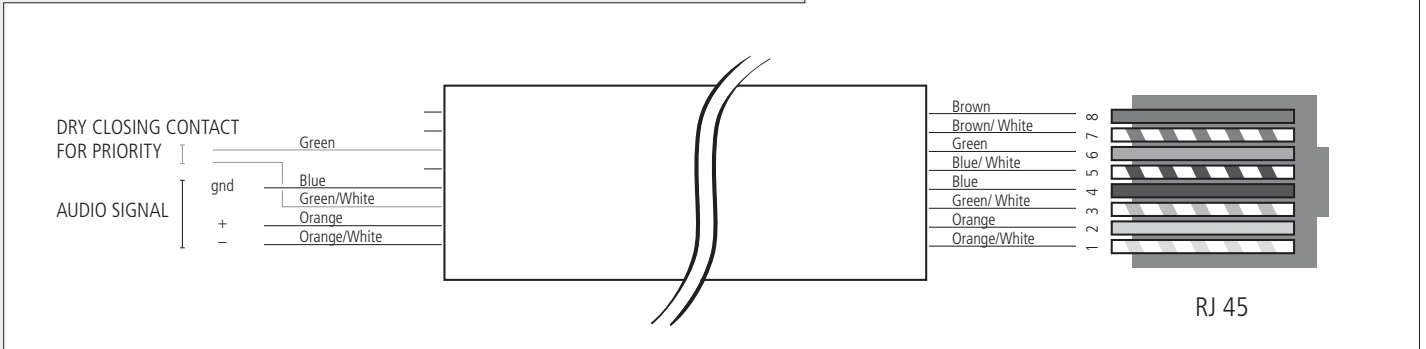
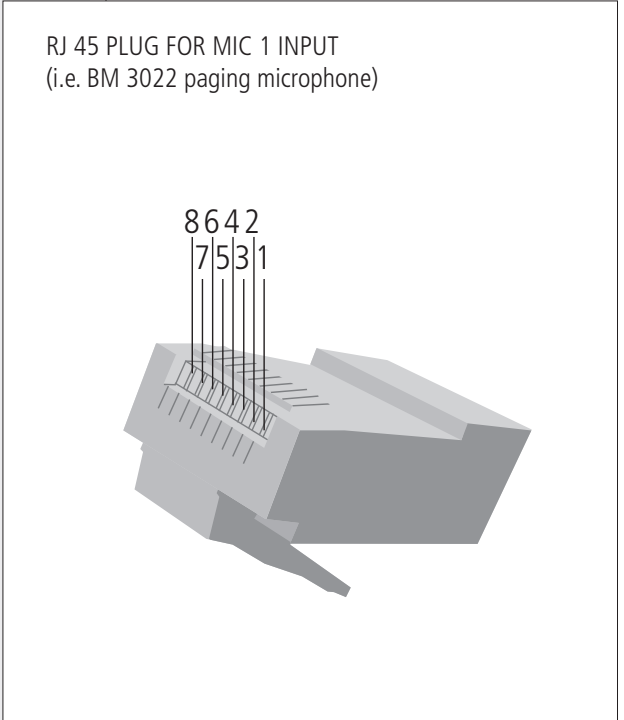
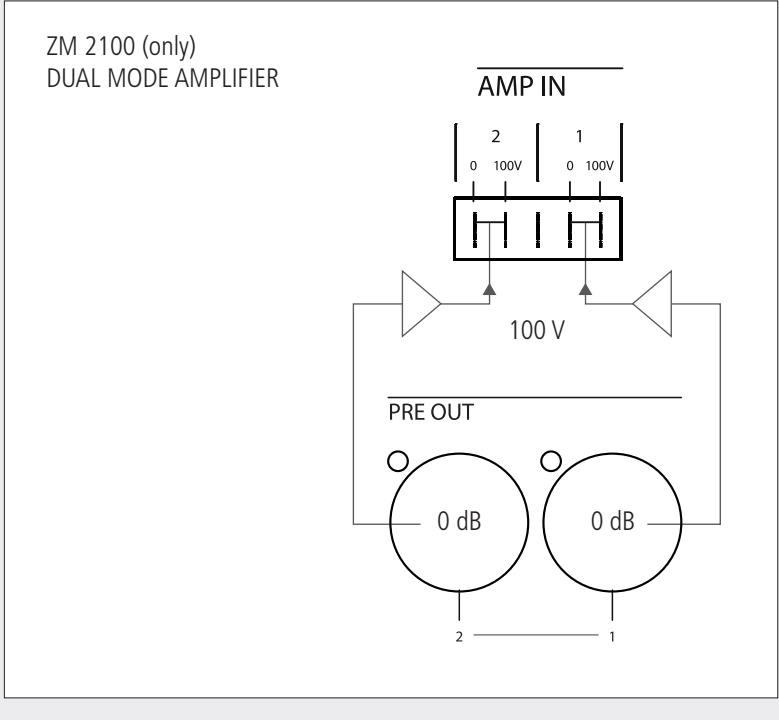
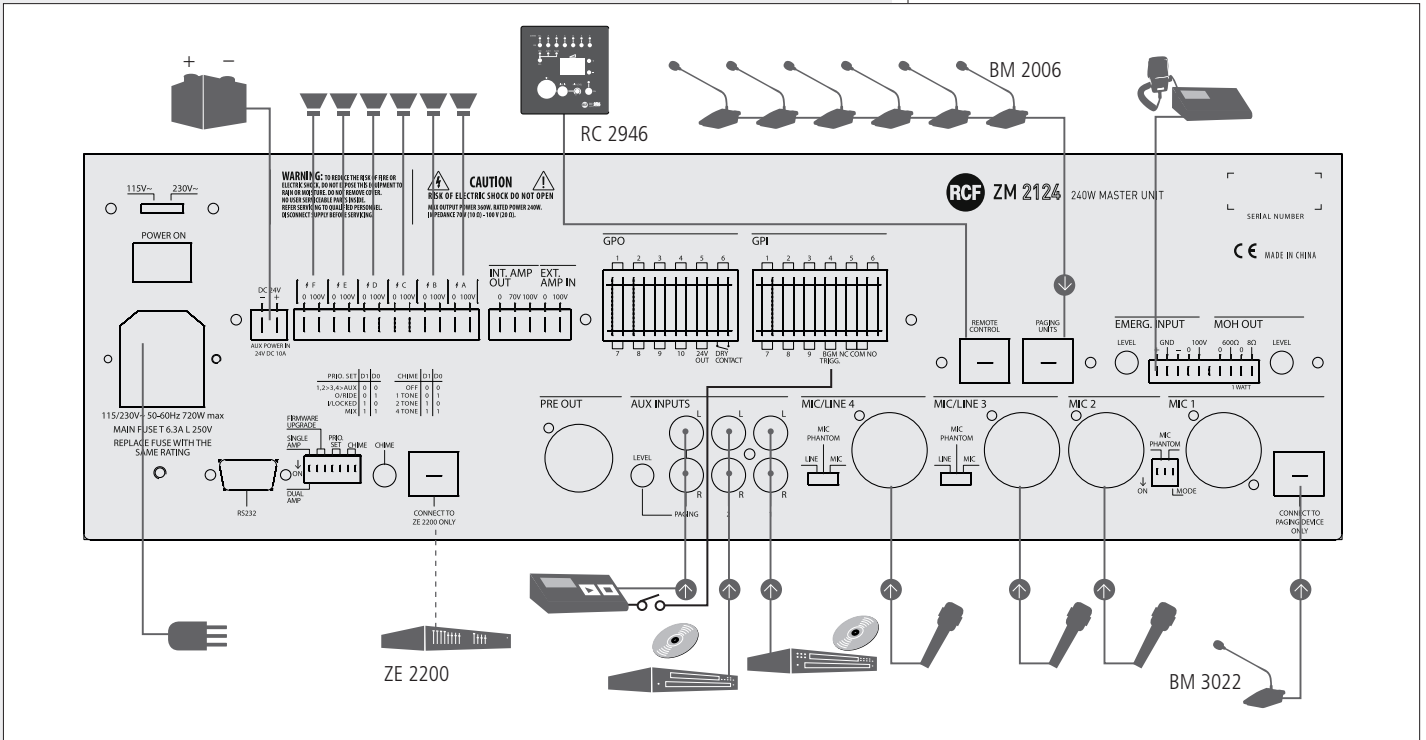
RACK INSTALLATION

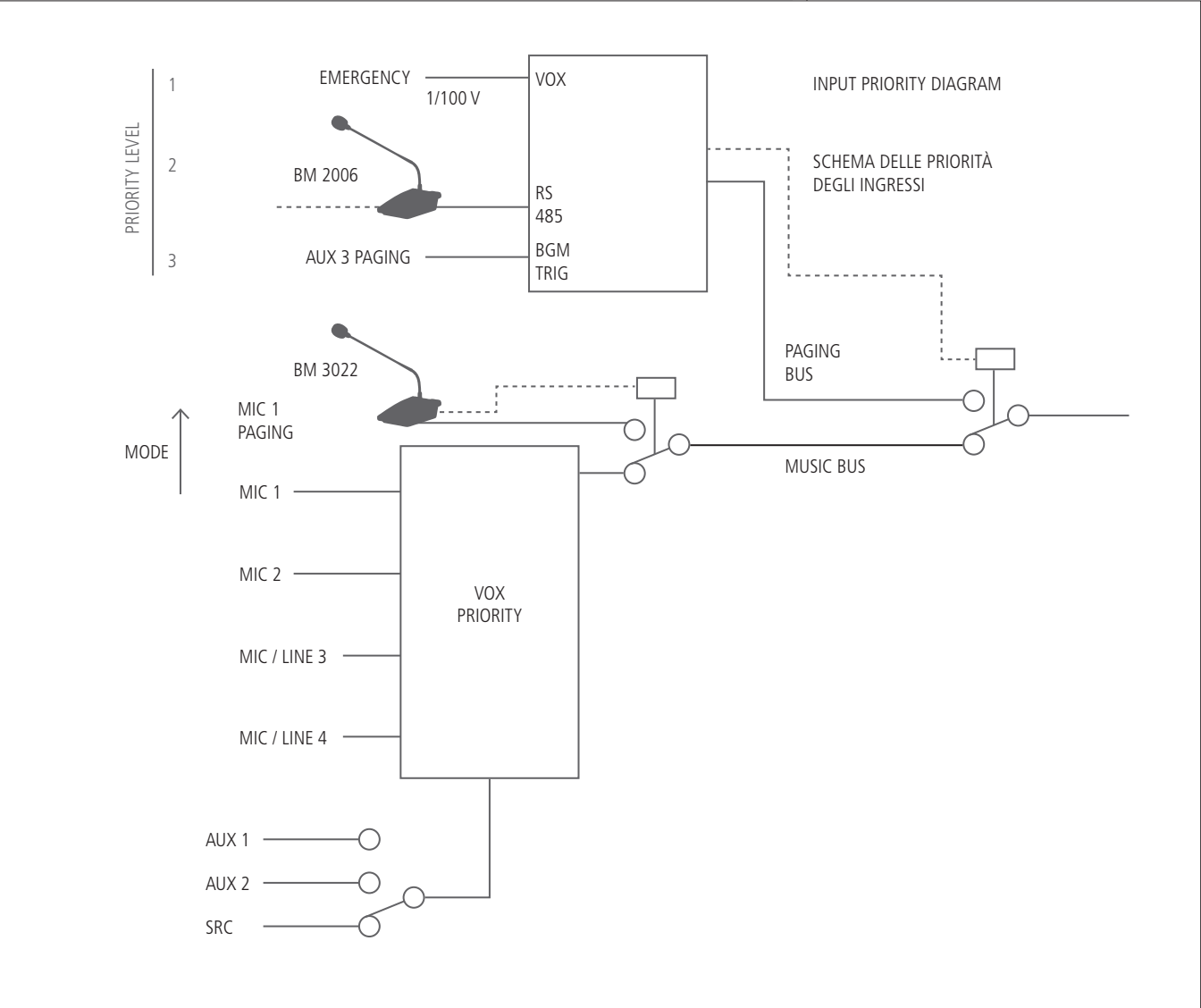


ZM 2124 and ZM 2100 are designed for table-top use, but can also be mounted into 19" rack cabinets by fixing (through screws) their respective rack ears.



	ZM 2124	ZM 2100
INTERNAL AMPLIFIER TYPE	Analogue	(no internal amplifier)
INTERNAL AMPLIFIER MAX. OUTPUT POWER	240 W	(no internal amplifier)
INTERNAL AMPLIFIER OUTPUT VOLTAGE	100 – 70 V (direct), 100 V (6 zones)	(no internal amplifier)
FREQUENCY RESPONSE (+1 / –3 dB)	MIC: 60 Hz ÷ 15 kHz AUX: 50 Hz ÷ 20 kHz	
DISTORTION (at max. power)	< 1%	(no internal amplifier)
MIC input sensitivity	1.5 mV (– 54 dBu)	
MIC input signal / noise ratio	> 60 dB	
MIC input impedance	600 Ω (balanced)	
LINE input sensitivity	200 mV (– 12 dBu)	
LINE input signal / noise ratio	> 70 dB	
LINE input impedance	600 Ω (balanced)	
AUX input sensitivity	200 mV (– 12 dBu)	
AUX input signal / noise ratio	> 75 dB	
AUX input impedance	10 kΩ (unbalanced)	
INPUT 1÷4, AUX BASS tone control	100 Hz ± 10 dB	
INPUT 1÷4, AUX TREBLE tone control	10 kHz ± 10 dB	
EMERGENCY input sensitivity	100 mV (balanced audio signal), 100 V line	
EMERGENCY input s/n ratio	> 70 dB	
EMERGENCY input impedance	600 Ω (100 mV balanced audio signal)	
PAGING (RJ 45) input sensitivity	1 V (+ 2 dBu)	
PRE OUT max. output level	1 V	
MOH signal max. output level	1 V (+ 2 dBm @ 600 Ω, balanced)	
MOH amplified output power (8 Ω)	1 W (on a 8 Ω load)	
AMPLIFIER 100 V input max. power	240 W	
POWER SUPPLY	115 V / 230 V ac, 24 V	
MAX. POWER CONSUMPTION	720 W	100 W
OPERATING TEMPERATURE	– 10 ÷ + 45 °C (+ 14 ÷ + 113 °F)	
DIMENSIONS (w, h, d)	430 mm, 133 mm, 365 mm (19" rack, 3 units)	
NET WEIGHT	16.1 kg	8.2 kg







AVVERTENZE PER LA SICUREZZA	24
ZM 2000 – DESCRIZIONE DEL SISTEMA	26
PANNELLO FRONTALE	27
PANNELLO POSTERIORE	30
ZM 2100 – COMMUTAZIONE DELLE ZONE CON SEGNALI A 0 dB	38
INSTALLAZIONE IN RACK 19"	39
SPECIFICHE TECNICHE	40
ESEMPI DI COLLEGAMENTO	41
APPENDICE	42

**IMPORTANTE**

Prima di collegare ed utilizzare questo prodotto, leggere attentamente le istruzioni contenute in questo manuale, il quale è da conservare per riferimenti futuri. Il presente manuale costituisce parte integrante del prodotto e deve accompagnare quest'ultimo anche nei passaggi di proprietà, per permettere al nuovo proprietario di conoscere le modalità d'installazione e d'utilizzo e le avvertenze per la sicurezza. L'installazione e l'utilizzo errati del prodotto esimono la RCF S.p.A. da ogni responsabilità.

ATTENZIONE: Per prevenire i rischi di fiamme o scosse elettriche, non esporre mai questo prodotto alla pioggia o all'umidità; questo apparecchio è progettato per il solo uso all'interno.

AVVERTENZE PER LA SICUREZZA

1. Tutte le avvertenze, in particolare quelle relative alla sicurezza, devono essere lette con particolare attenzione, in quanto contengono importanti informazioni.

2.1 ALIMENTAZIONE PRINCIPALE DA RETE ELETTRICA

- La tensione di alimentazione dell'apparecchio ha un valore sufficientemente alto da costituire un rischio di folgorazione per le persone: non procedere mai all'installazione od alla connessione dell'apparecchio con il cavo dell'alimentazione collegato alla rete elettrica.
- Prima di alimentare questo prodotto, assicurarsi che tutte le connessioni siano corrette e che la tensione della vostra rete di alimentazione corrisponda quella di targa dell'apparecchio, in caso contrario rivolgetevi ad un rivenditore RCF.
- Le parti metalliche dell'apparecchio sono collegate a terra tramite il cavo di alimentazione. Un apparecchio avente costruzione di CLASSE I deve essere connesso alla presa di rete con un collegamento alla terra di protezione.
- Accertarsi che il cavo di alimentazione dell'apparecchio non possa essere calpestato o schiacciato da oggetti, al fine di salvaguardarne la perfetta integrità.
- Per evitare il rischio di shock elettrici, non aprire mai l'apparecchio: all'interno non vi sono parti che possono essere utilizzate dall'utente.
- La spina del cavo d'alimentazione è utilizzata come dispositivo di scollegamento e deve rimanere sempre facilmente accessibile.

2.2 ALIMENTAZIONE SECONDARIA D'EMERGENZA TRAMITE BATTERIE

- L'apparecchio funziona con tensione 24 V in corrente continua (pertanto, occorre collegare in serie più batterie aventi una tensione nominale inferiore, es. 2 x 12 V).
- Utilizzare sempre batterie ricaricabili, opportunamente scelte in funzione del massimo carico possibile.
- Verificare che sia rispettata la polarità delle batterie.
- Non cortocircuitare le batterie (ad esempio collegando i 2 poli opposti con un filo di metallo).
- Smaltire le batterie esaurite facendo riferimento alle norme di legge vigenti (nel paese di utilizzo) in materia di ecologia e protezione dell'ambiente.

3. Impedire che oggetti o liquidi entrino all'interno del prodotto, perché potrebbero causare un corto circuito. L'apparecchio non deve essere esposto a stillicidio o a spruzzi d'acqua; nessun oggetto pieno di liquido (quali vasi) e nessuna sorgente di fiamma nuda (es. candele accese) deve essere posto sull'apparecchio.

4. Non eseguire sul prodotto interventi / modifiche / riparazioni se non quelle espressamente descritte sul manuale istruzioni. Contattare centri di assistenza autorizzati o personale altamente qualificato quando:

- l'apparecchio non funziona (o funziona in modo anomalo);
- il cavo di alimentazione ha subito gravi danni;
- oggetti o liquidi sono entrati nell'apparecchio;
- l'apparecchio ha subito forti urti.

IMPORTANTE**ATTENZIONE**

5. Qualora questo prodotto non sia utilizzato per lunghi periodi, scollegare il cavo d'alimentazione dalla rete (e/o le batterie).

6. Nel caso che dal prodotto provengano odori anomali o fumo, spegnerlo immediatamente e scollegare il cavo d'alimentazione e/o le batterie.

7. I terminali marcati con il simbolo  sono da ritenersi ATTIVI e PERICOLOSI ed il loro collegamento deve essere effettuato da PERSONE ADDESTRATE oppure si devono utilizzare cavi già pronti.

8. Non collegare a questo prodotto altri apparecchi e accessori non previsti.

Quando è prevista l'installazione sospesa, utilizzare solamente gli appositi punti di ancoraggio e non cercare di appendere questo prodotto tramite elementi non idonei o previsti allo scopo. Verificare inoltre l'idoneità del supporto (parete, soffitto, struttura ecc., al quale è ancorato il prodotto) e dei componenti utilizzati per il fissaggio (tasselli, viti, staffe non fornite da RCF ecc.) che devono garantire la sicurezza dell'impianto / installazione nel tempo, anche considerando, ad esempio, vibrazioni meccaniche normalmente generate da un trasduttore. Per evitare il pericolo di cadute, non sovrapporre fra loro più unità di questo prodotto, quando questa possibilità non è espressamente contemplata dal manuale istruzioni.

9. RCF S.p.A. raccomanda vivamente che l'installazione di questo prodotto sia eseguita solamente da installatori professionali qualificati (oppure da ditte specializzate) in grado di farla correttamente e certificarla in accordo con le normative vigenti. Tutto il sistema audio dovrà essere in conformità con le norme e le leggi vigenti in materia di impianti elettrici.

10. Sostegni e Carrelli

Se previsto, il prodotto va utilizzato solo su carrelli o sostegni consigliati dal produttore. L'insieme apparecchio-sostegno / carrello va mosso con estrema cura. Arresti improvvisi, spinte eccessive e superfici irregolari o inclinate possono provocare il ribaltamento dell'assieme.

11. Si devono considerare anche i fattori meccanici ed elettrici quando si installa un sistema audio professionale (oltre a quelli prettamente acustici, come la pressione sonora, gli angoli di copertura, la risposta in frequenza, ecc.).

12. Perdita dell'udito

L'esposizione ad elevati livelli sonori può provocare la perdita permanente dell'udito. Il livello di pressione acustica pericolosa per l'udito varia sensibilmente da persona a persona e dipende dalla durata dell'esposizione. Per evitare un'esposizione potenzialmente pericolosa ad elevati livelli di pressione acustica, è necessario che chiunque sia sottoposto a tali livelli utilizzi delle adeguate protezioni; quando si fa funzionare un trasduttore in grado di produrre elevati livelli sonori è necessario indossare dei tappi per orecchie o delle cuffie protettive. Consultare i dati tecnici contenuti nei manuali istruzioni per conoscere le massime pressioni sonore che i diffusori acustici sono in grado di produrre.

13. Non ostruire le griglie di ventilazione dell'unità. Collocare il prodotto lontano da fonti di calore e garantire la circolazione dell'aria in corrispondenza delle griglie di aerazione.

14. Non sovraccaricare quest'apparecchio per un lungo periodo.

15. Non forzare mai gli organi di comando (tasti, manopole ecc.).

16. Non usare solventi, alcool, benzina o altre sostanze volatili per la pulitura delle parti esterne dell'unità; usare un panno asciutto.

NOTA SUI CAVI PER SEGNALI AUDIO



Per evitare fenomeni di rumorosità indotta sui cavi che trasportano segnali dai microfoni o di linea (per esempio OdB), usare solo cavi schermati ed evitare di posarli nelle vicinanze di:

- apparecchiature che producono campi elettromagnetici di forte intensità;
- cavi di rete;
- linee che alimentano altoparlanti.

RCF S.P.A. VI RINGRAZIA PER L'ACQUISTO DI QUESTO PRODOTTO, REALIZZATO IN MODO DA GARANTIRNE L'AFFIDABILITÀ E PRESTAZIONI ELEVATE.

ZM 2000 – DESCRIZIONE DEL SISTEMA



ZM 2000 è un versatile sistema audio adatto sia per annunci microfonic selettivi su più zone sia per la diffusione di musica di sottofondo.

L'unità centrale del sistema è disponibile in 2 modelli:

- ZM 2124 include un preamplificatore con selezione su 6 zone ed un amplificatore interno avente una potenza nominale di 240 W;
- ZM 2100 include il solo preamplificatore con selezione su 6 zone (nessun amplificatore).

Le unità ZM 2124 e ZM 2100 sono il cuore del sistema, hanno i connettori d'ingresso per le sorgenti audio e possono gestire la priorità ed i 2 "bus" (annunci / musica) del sistema verso le 6 zone.

Un sistema può includere solo una singola unità centrale (ZM 2124 oppure ZM 2100) per un semplice sistema con 6 zone.

Il modello ZM 2124 è per lo più indicato per sistemi piccoli, dove la potenza richiesta per ciascuna zona è limitata. Include un controllo del livello d'uscita per ciascuna delle 6 zone, le cui uscite sono collegate all'amplificatore interno comune. Un amplificatore esterno addizionale è necessario per mantenere la musica di sottofondo nelle zone non selezionate durante un annuncio microfonico.

Il modello ZM 2100 consente di collegare uno o due amplificatori esterni (il secondo serve per mantenere la musica di sottofondo nelle zone non selezionate durante un annuncio microfonico) per servire tutte le 6 zone oppure di utilizzare uno o più amplificatori per ciascuna zona.

Fino ad 8 unità di espansione ZE 2200 (ciascuna avente 6 zone) possono essere aggiunte in modo da incrementare le zone del sistema fino ad un massimo di 54. Ogni ZE 2200 offre la possibilità di collegare ed utilizzare un riproduttore musicale locale (es. lettore CD, MP3, ecc.) oppure di lasciare il programma musicale condiviso dell'unità centrale ZM 2124 / ZM 2100.

Tutte le unità centrali ZM 2124 / ZM 2100 e le espansioni ZE 2200 sono basate su un'architettura a doppio "bus", dove il primo "bus" è dedicato agli annunci selettivi / generali, mentre il secondo serve per la distribuzione del programma musicale (od altri segnali).

Tutte le unità hanno dei selettori per attivare o disattivare il secondo "bus" (musica) in ciascuna zona e degli ingressi (GPI) e uscite (GPO) logici per interfacciare il sistema con altri dispositivi.

Le unità centrali ZM 2124 e ZM 2100 hanno i seguenti ingressi:

- 2 MIC e 2 MIC / LINE (con priorità configurabile tra loro);
- 2 AUX locali (più uno tramite controllo remoto RC 2946) selezionabili sul "bus" musica;
- 1 AUX prioritario inviato al BUS per gli annunci;
- un ingresso dedicato per una linea composta da massimo 6 basi microfoniche BM 2006;
- un ingresso audio d'emergenza.

Gli ingressi da 1 a 4 e quelli AUX hanno i controlli di livello e di tono sul pannello frontale. Gli annunci possono essere preceduti da un tono di preavviso selezionabile.

Tutte le unità centrali ZM 2124 / ZM 2100 e le espansioni ZE 2200 possono essere alimentate sia da rete elettrica (115 / 230 V) sia a 24 V c.c. ; tutte sono fornite con le alette laterali per l'installazione in armadi rack da 19": 3 unità per ZM 2124 / ZM 2100, 1 unità per ZE 2200.

Il sistema ha una sua base microfonica dedicata: BM 2006, con 6 tasti per la selezione delle zone più quello per la chiamata generale e l'inserimento del microfono; fino a sei BM 2006 possono essere collegate in cascata ad un'unità centrale.

È possibile collegare fino a 4 tastiere aggiuntive BE 2012 (ciascuna con 12 tasti zona) ad ogni base microfonica BM 2006 (in modo da ottenere la selezione massima di 54 zone). Una o più tastiere BE 2012 sono di fatto necessarie quando si utilizzano le unità di espansione ZE 2200.

All'ingresso MIC 1, si possono collegare una o più basi microfoniche BM 3022 (alla stessa linea) per annunci generali sul "bus" della musica.

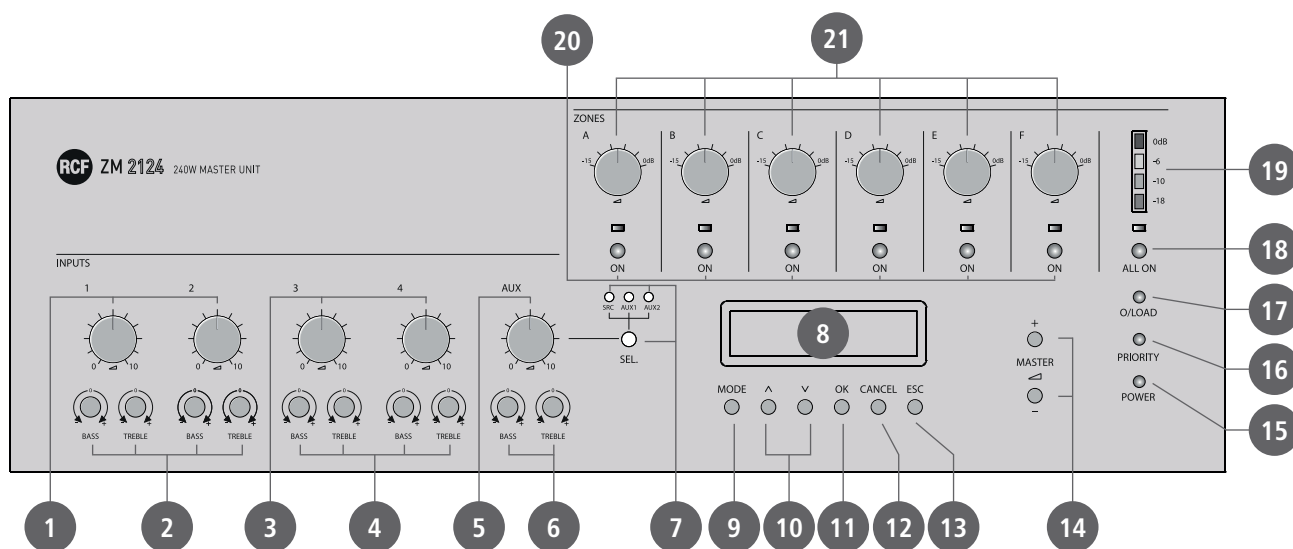
Tutti i collegamenti delle basi microfiche sono effettuati tramite cavo CAT5 FTP.

RC 2946 è un controllo remoto (installabile a parete) per la selezione degli ingressi AUX e l'attivazione del "bus" musica in ciascuna zona.

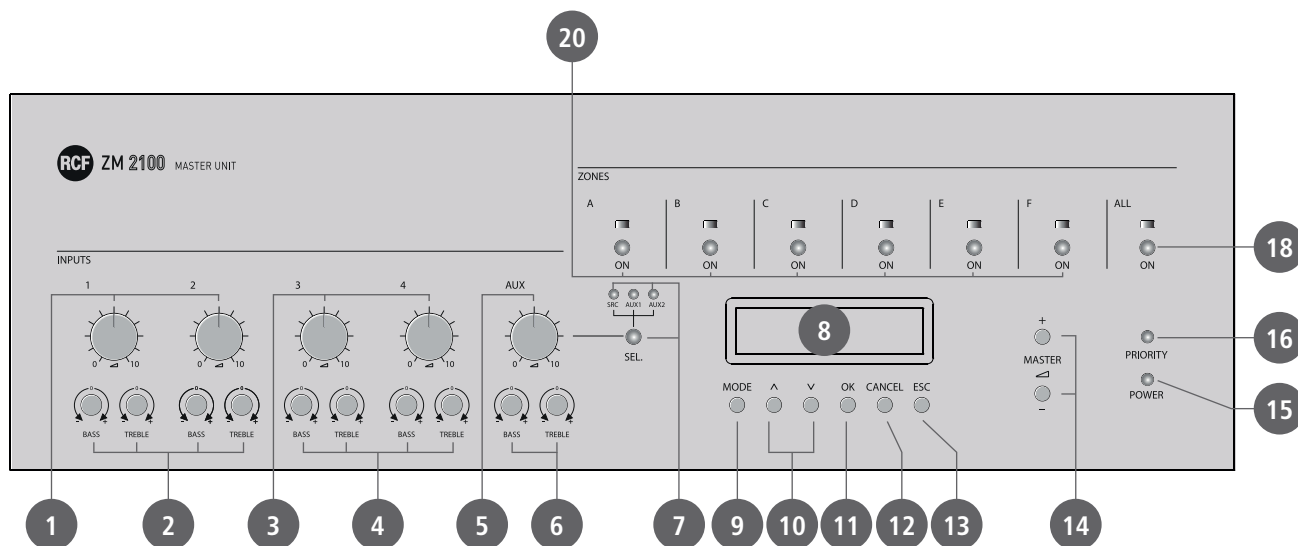
PANNELLO FRONTALE



ZM 2124

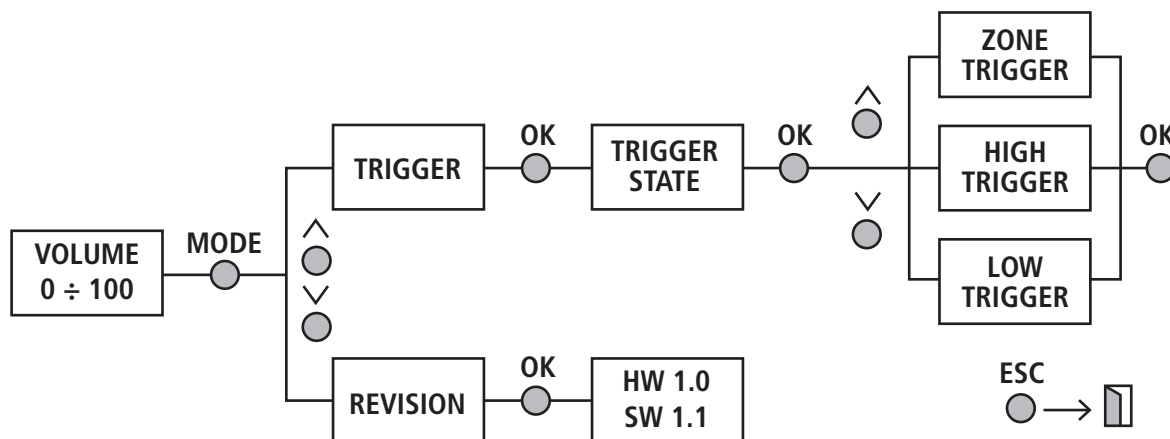


ZM 2100



- 1 Controlli di volume degli ingressi 1 e 2
Ruotare il controllo completamente in senso antiorario (a 0) se il rispettivo ingresso non è usato.
- 2 Controlli di tono **BASS** (bassi) e **TREBLE** (alti) degli ingressi 1 e 2
Posizione centrale: risposta in frequenza lineare. Usare un cacciavite per effettuare le regolazioni.
- 3 Controlli di volume degli ingressi 3 e 4
Ruotare il controllo completamente in senso antiorario (a 0) se il rispettivo ingresso non è usato.
- 4 Controlli di tono **BASS** (bassi) e **TREBLE** (alti) degli ingressi 3 e 4
Posizione centrale: risposta in frequenza lineare. Usare un cacciavite per effettuare le regolazioni.
- 5 Controllo di volume comune agli ingressi **AUX**
Si utilizza per regolare il livello sia degli ingressi AUX 1 e 2 sia di quello del controllo remoto RC 2946 (quando il selettore 7 è impostato su SRC).
- 6 Controlli di tono **BASS** (bassi) e **TREBLE** (alti) degli ingressi **AUX** 1 e 2 (o di quello presente sul controllo remoto RC 2946)
Posizione centrale: risposta in frequenza lineare. Usare un cacciavite per effettuare le regolazioni.
- 7 Selettore degli ingressi **AUX** con indicatori luminosi (LED)
Premere (una o due volte) per selezionare (in sequenza) l'ingresso del controllo remoto RC 2946 (SRC) oppure l'ingresso **AUX 1** od **AUX 2**.
L'ingresso selezionato è aperto, mentre gli altri 2 sono disattivati.
- 8 **LCD**
Il display normalmente indica il volume principale "master" (valore: 0 ÷ 100, usare i tasti **MASTER** 14 per regolarne il volume).
- 9 Tasto **MODE**
Premere per accedere al menù (mostrato sul display); il tasto **ESC** 13 permette invece di uscirne.

STRUTTURA DEL MENÙ



IMPOSTAZIONE "TRIGGER STATE" (funzione degli ingressi logici)

È possibile scegliere tra 3 diverse opzioni:

- **ZONE TRIGGER:** quando un ingresso logico (GPI) è collegato all'uscita 24 V OUT, la zona (il "bus" della musica) e l'uscita logica (GPO) aventi lo stesso numero sono attivate;
- **HIGH TRIGGER:** quando un ingresso logico (GPI) non è collegato all'uscita 24 V OUT, l'uscita logica (GPO) avente lo stesso numero è attivata;
- **LOW TRIGGER:** quando un ingresso logico (GPI) è collegato all'uscita 24 V OUT, l'uscita logica (GPO) avente lo stesso numero è attivata.

INDICAZIONI "REVISION"

Sono mostrate le versioni correnti dell'hardware (HW) e del software (SW).

10 Tasti \wedge \vee

Premere \wedge (su) o \vee (giù) per scorrere il menù.

11 Tasto OK

Premere per entrare in un sottomenù o per selezionare un'opzione.

12 Tasto CANCEL

Premere per ritornare al menù precedente (un passo indietro).

13 Tasto ESC

Premere per uscire dal menù corrente e ritornare alla schermata iniziale del display.

14 Tasti MASTER VOLUME

Premere + per incrementare il volume principale oppure – per diminuirlo. Il livello del volume principale ("master", da 0 a 100) è indicato sul display.

15 LED POWER

LED acceso quando l'unità centrale ZM 2124 / 2100 è accesa e funzionante.

16 LED PRIORITY

LED acceso quando la funzione di priorità è attivata.

17 LED OVERLOAD (solo ZM 2124)

LED indicante il sovraccarico dell'amplificatore interno.

18 Tasto ALL ON con LED

Premere per attivare tutte le uscite di zona; i LED **ALL ON** e tutti quelli di zona **ON** si accendono.

19 VU METER (barra a LED, solo ZM 2124)

Barra a LED indicante il livello del segnale inviato all'amplificatore interno.

0 dB = LIVELLO DEL SEGNALE CHE CONSENTE DI OTTENERE LA MASSIMA POTENZA DELL'AMPLIFICATORE.

20 Tasti ON per l'attivazione delle zone (da A a F)

Premere uno o più tasti per attivare o disattivare il "bus" della musica nelle rispettive zone. Ogni LED è acceso fisso quando la sua rispettiva zona è selezionata (o lampeggiante durante un annunci microfonico sul PAGING BUS).

21 Attenuatori del livello di ciascuna zona (da A a F, solo ZM 2124)

Ogni controllo regola il livello del "bus" della musica di una zona da -15 dB (massima attenuazione) a 0 dB (nessuna attenuazione) in passi da 3 dB.

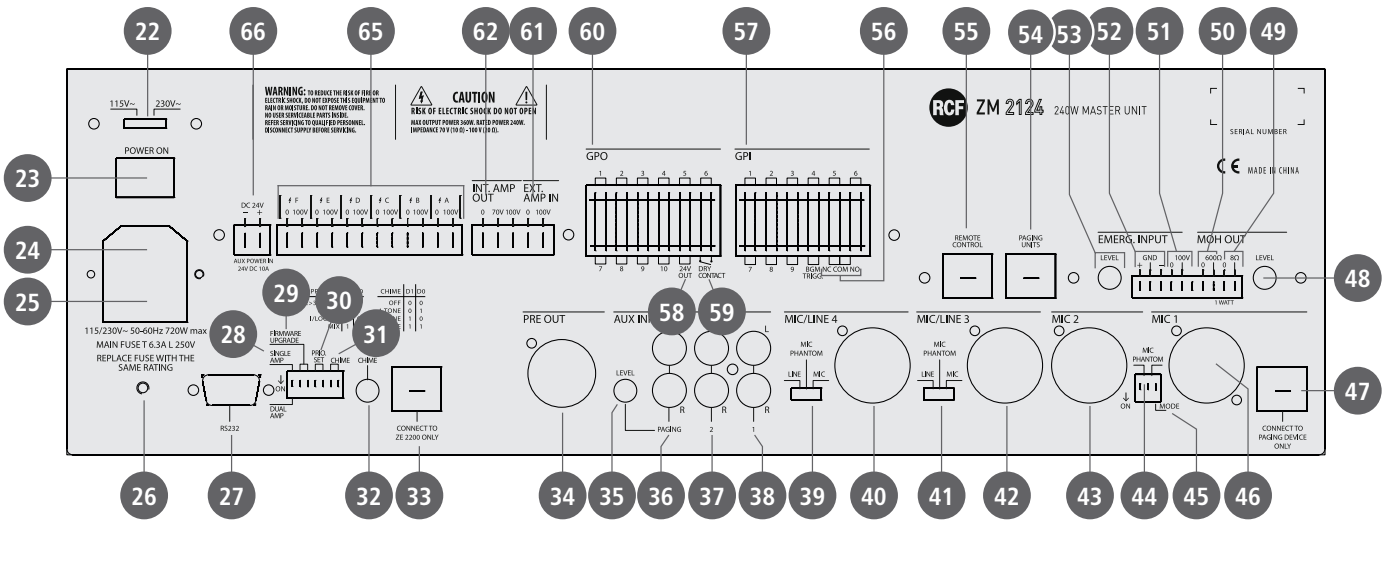
IMPOSTAZIONE "TRIGGER STATE" (funzione degli ingressi logici)

INDICAZIONI "REVISION"

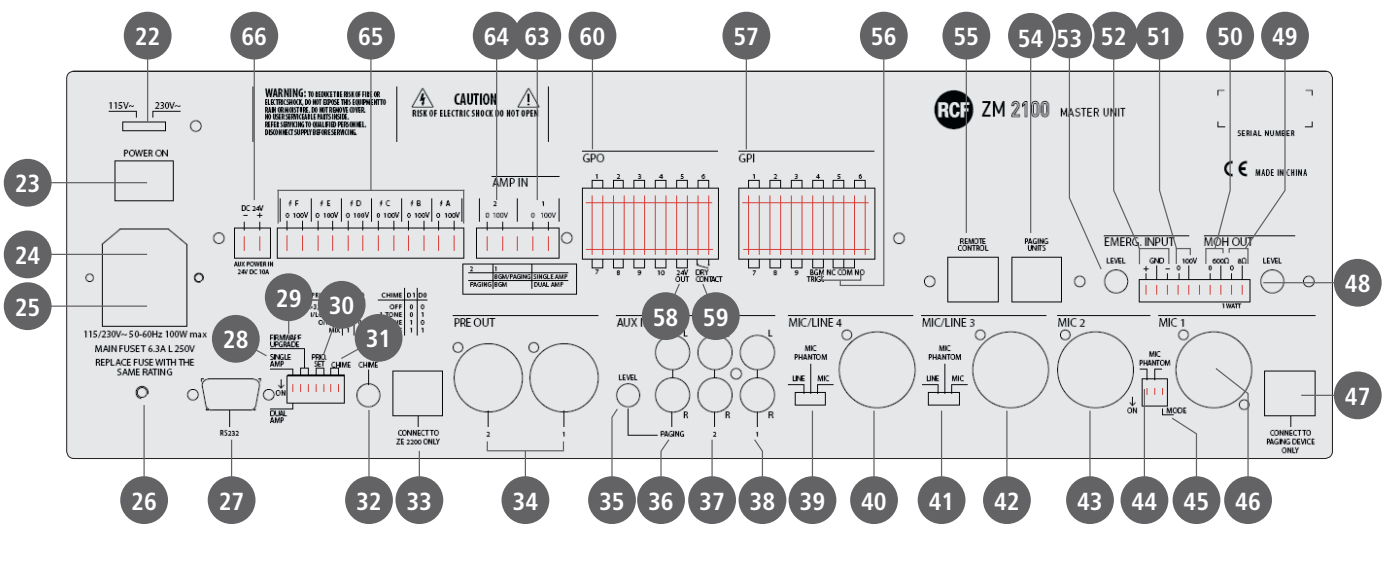




ZM 2124



ZM 2100



22 Selettore della tensione di rete (115 – 230 V c.a.)

ATTENZIONE: PRIMA DI ALIMENTARE L'APPARECCHIO, ASSICURARSI CHE LA TENSIONE SELEZIONATA CORRISPONDA A QUELLA DI RETE.

23 Interruttore principale **POWER ON** (0 = spento, I = acceso)

24 Ingresso per il cavo d'alimentazione da rete elettrica.

25 Fusibile di protezione (alimentazione da rete)
Utilizzare sempre il tipo di fusibile specificato sotto l'ingresso per il cavo d'alimentazione.

26 **CHASSIS GROUND** (punto per la messa terra dell'apparecchio)



LE PARTI METALLICHE DELL'APPARECCHIO SONO COLLEGATE A TERRA TRAMITE IL CAVO DI ALIMENTAZIONE.
UN APPARECCHIO AVENTE COSTRUZIONE DI CLASSE I DEVE ESSERE CONNESSO ALLA PRESA DI RETE CON UN COLLEGAMENTO ALLA TERRA DI PROTEZIONE.



27 Porta **RS 232** (solo per assistenza tecnica RCF, es. aggiornamento firmware).

28 Microinterruttore ("dip-switch")
SINGLE / DUAL AMPLIFIER (singolo / doppio amplificatore)

DIP-SWITCH	FUNZIONE DELL'AMPLIFICATORE INTERNO	FUNZIONE DELL'AMPLIFICATORE ESTERNO ADDIZIONALE
SINGLE AMP.	Annunci e musica di sottofondo	(non collegato)
DUAL AMP.	Musica di sottofondo	Annunci

29 Microinterruttore ("dip-switch") **FIRMWARE UPGRADE** (aggiornamento firmware)
Solo per assistenza tecnica RCF: entrambi i dip-switch devono essere impostati su ON prima di aggiornare il firmware tramite la porta RS 232; lasciarli su OFF nel funzionamento normale.

30 Microinterruttori ("dip-switch")
PRIORITY SET (impostazione priorità ingressi 1÷4, AUX)

D1	D0	IMPOSTAZIONE PRIORITÀ	DESCRIZIONE
0 (off)	0 (off)	1 > 2 > 3 > ...	Solo un ingresso può essere aperto allo stesso tempo. La priorità è scalare: ingresso 1 su 2, 2 su 3-4, 3-4 su AUX 1, 2
0 (off)	1 (on)	I/LOCKED	Solo il primo ingresso (in ordine di tempo) con segnale è aperto.
1 (on)	0 (off)	O/RIDE	Solo un ingresso può essere aperto allo stesso tempo. Il successivo segnale ad un altro ingresso ottiene la priorità su quello precedente.
1 (on)	1 (on)	MIX	Tutti gli ingressi sono aperti ed in miscelazione.

31 Microinterruttori ("dip-switch") **CHIME**, impostazione del tono di preavviso dell'ingresso MIC 1 (porta RJ 45 47).

D1	D0	IMPOSTAZIONE
0 (off)	0 (off)	Nessun tono di preavviso
0 (off)	1 (on)	tono di preavviso di una sola nota
1 (on)	0 (off)	tono di preavviso di 2 note
1 (on)	1 (on)	tono di preavviso di 4 note

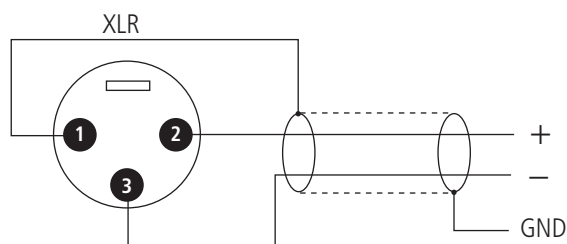
Per ascoltare il tono di preavviso, effettuare un annuncio tramite una base microfonica BM 3022 oppure cortocircuitare i contatti 3 e 6 della porta RJ45 dell'ingresso MIC 1.

32 Controllo di volume CHIME del tono di preavviso
Ruotarlo in senso orario per incrementare il volume del tono di preavviso oppure in senso antiorario per diminuirlo. Per ascoltare il tono di preavviso, effettuare un annuncio tramite una base microfonica BM 3022 oppure cortocircuitare i contatti 3 e 6 della porta RJ45 dell'ingresso MIC 1.

33 CONNECT TO ZE 2200 ONLY
Porta RJ 45 utilizzabile solo per collegare la prima unità di espansione (a 6 zone) ZE 2200.

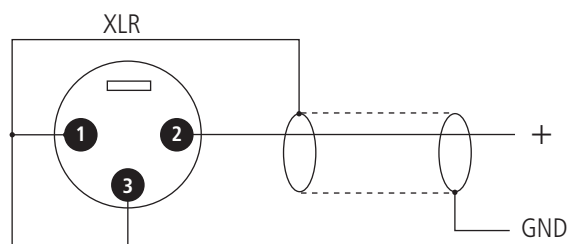
34 PRE OUT

USCITA BILANCIATA (0 dB) DEL PREAMPLIFICATORE INTERNO



COLLEGAMENTO BILANCIATO

+	POSITIVO
-	NEGATIVO
GND	MASSA



COLLEGAMENTO SBILANCIATO

+	POSITIVO
GND	MASSA

Il modello ZM 2124 ha una sola uscita con connettore XLR.
Nella modalità con doppio amplificatore (interno ed esterno), collegare questa uscita all'ingresso dell'amplificatore esterno (dedicato ai soli annunci).

Il modello ZM 2100 ha 2 uscite (1, 2) con connettori XLR.
Nella modalità con singolo amplificatore, collegare l'uscita 1 all'ingresso dell'amplificatore esterno (utilizzato sia per gli annunci sia per la musica).
Nella modalità con doppio amplificatore, collegare l'uscita 1 all'ingresso del primo amplificatore esterno usato per la musica di sottofondo e l'uscita 2 all'ingresso del secondo usato per gli annunci.

Se si utilizzano uno o più amplificatori esterni per ogni zona (solo ZM 2100), collegare l'uscita 1 direttamente ad AMP IN 1 **63** e l'uscita 2 ad AMP IN 2 **64** (vedere la sezione del manuale "ZM 2100 – Commutazione delle zone con segnali a 0 dB").

35 AUX INPUT 3 PAGING LEVEL (volume dell'ingresso AUX PAGING)
Ruotarlo in senso orario per incrementare il livello od in senso antiorario per diminuirlo.

36 AUX INPUT 3 PAGING (ingresso AUX PAGING, sbilanciato, doppio connettore RCA)

CORTOCIRCUITARE L'INGRESSO LOGICO BGM TRIGG PER L'ATTIVAZIONE E LA PRIORITÀ NEL BUS DEGLI ANNUNCI (PAGING).

37 AUX INPUT 2 (ingresso AUX 2, sbilanciato, doppio connettore RCA)

38 AUX INPUT 1 (ingresso AUX 1, sbilanciato, doppio connettore RCA)

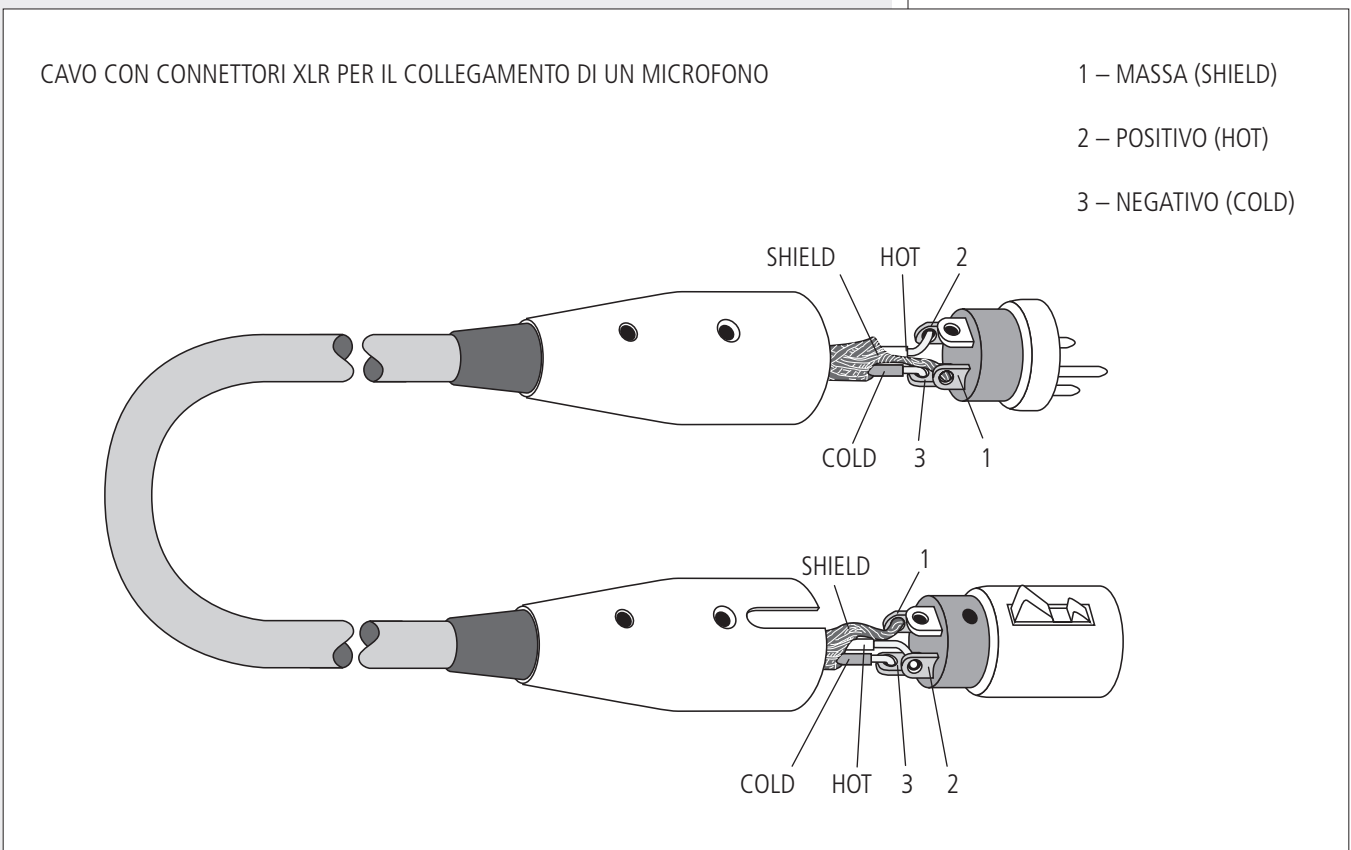
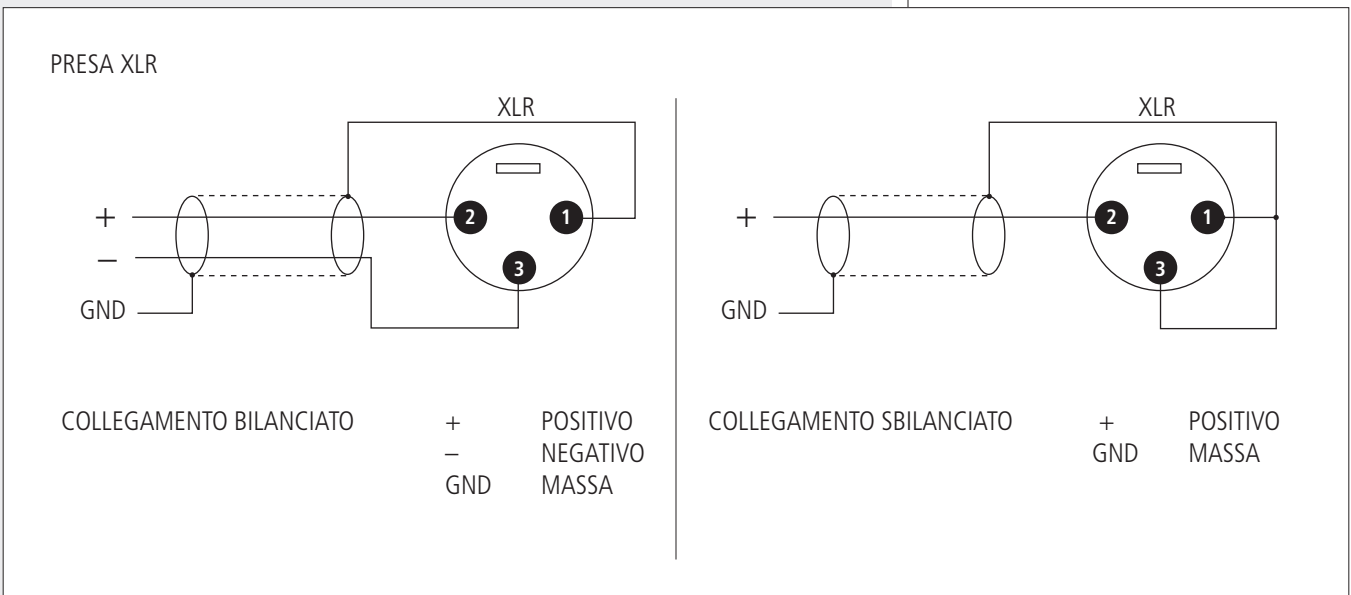
I DUE CANALI DI UN SEGNALE STEREO AD UN INGRESSO AUX SONO SOMMATI IN MONO.



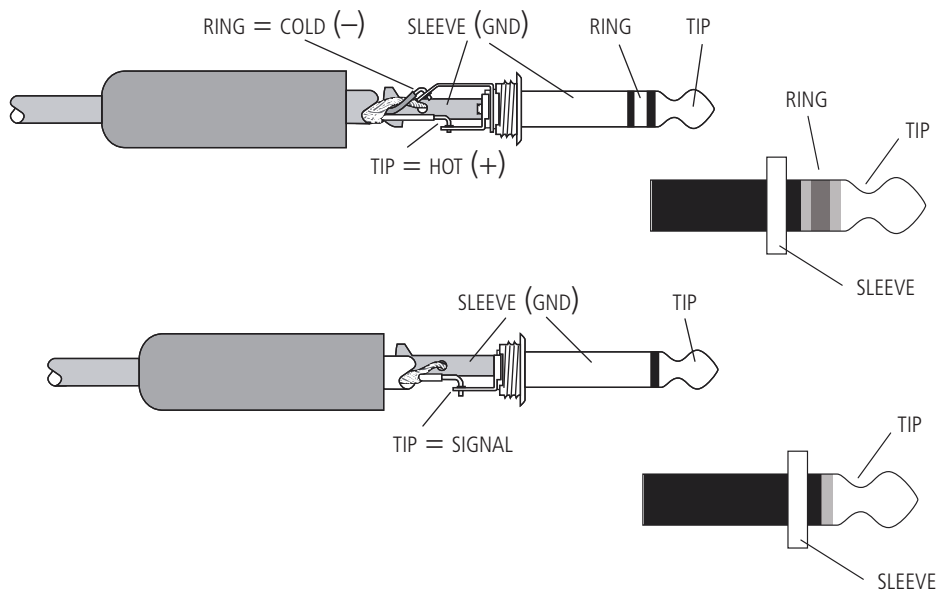
39 Selettore dell'ingresso audio MIC/LINE 4.

MIC	La sensibilità dell'ingresso audio è a livello microfonico. L'alimentazione "Phantom" è disattivata. Uso: microfoni dinamici.
MIC PHANTOM	La sensibilità dell'ingresso audio è a livello microfonico. L'alimentazione "Phantom" è attivata. Uso: microfoni ad elettretti.
LINE	La sensibilità dell'ingresso audio è a livello "linea". L'alimentazione "Phantom" è disattivata. Uso: segnali a livello "linea".

40 Ingresso audio MIC/LINE 4 (presa "combo XLR – jack 1/4"):



CONNETTORE JACK TRS 1/4" (6,3 mm)



COLLEGAMENTO BILANCIATO

TIP (punta): positivo
RING (anello): negativo
SLEEVE (manica): massa

COLLEGAMENTO SBILANCIATO

TIP (punta): positivo
SLEEVE (manica): massa

NON USARE IL COLLEGAMENTO SBILANCIATO QUANDO L'ALIMENTAZIONE "PHANTOM" È PRESENTE!

IL COLLEGAMENTO BILANCIATO È SEMPRE PREFERIBILE, SPECIALMENTE CON CAVI PIÙ LUNGI DI 5 METRI.

41 Selettore dell'ingresso audio MIC/LINE 3.

Per la selezione, vedere le opzioni previste per il selettore dell'ingresso audio MIC/LINE 4 39.

42 Ingresso audio MIC/LINE 3 (presa "combo XLR – jack 1/4")

Per il collegamento, vedere l'ingresso audio MIC/LINE 4 40.

43 Ingresso audio MIC 2 (presa "combo XLR – jack 1/4")

Per il collegamento, vedere l'ingresso audio MIC/LINE 4 40.

44 Microinterruttori ("dip-switch") MIC PHANTOM

Attivazione (ON) o disattivazione dell'alimentazione "Phantom" per gli ingressi MIC 2 43 e MIC 1 46.

45 Microinterruttori ("dip-switch") MODE relativi all'ingresso MIC 1



ON

Tutte le basi microfoniche (BM 3022) collegate alla porta RJ 45 – MIC 1 47 possono effettuare annunci generali (sul "bus" musica) con priorità e preceduti dal tono di preavviso CHIME (l'ingresso MIC 1 con presa XLR 46 è disattivato).

OFF

La porta RJ 45 – MIC 1 47] ha la stessa funzione dell'ingresso MIC 1 con presa XLR 46. Il tono di preavviso CHIME è disabilitato.

46 Ingresso audio MIC 1 (presa "combo XLR – jack 1/4")

Per il collegamento, vedere l'ingresso audio MIC/LINE 4 40.

47 Ingresso audio MIC 1 (porta RJ 45)

Porta RJ 45 per una linea composta da basi microfoniche BM 3022 (per sole chiamate generali).

48 MOH OUT LEVEL (livello dell'uscita MOH)

Controllo del livello dell'uscita "Music On Hold" ("musica d'attesa").
Ruotarlo in senso orario per incrementare il livello od in senso antiorario per diminuirlo.

49 Uscita amplificata MOH OUT 8 Ω (connettore removibile)

Uscita monitor della musica (AUX 1 – 2) per un altoparlante avente impedenza 8 Ω (potenza max.: 1 W).
Collegare il contatto "8 Ω" al terminale + dell'altoparlante ed il contatto "0" al terminale –.

50 Uscita audio MOH OUT 600 Ω (connettore removibile)

Uscita audio bilanciata (0 dB) "Music On Hold" della musica (AUX 1 – 2).

51 Ingresso audio d'emergenza EMERGENCY INPUT (linea 100 V, connettore removibile)

Ingresso per segnali d'emergenza su linea 100 V.

52 Ingresso audio d'emergenza EMERGENCY INPUT (0 dB bilanciato, connettore removibile)

Ingresso bilanciato per segnali d'emergenza aventi livello 0 dB.

53 Livello dell'ingresso audio d'emergenza EMERGENCY INPUT

Regola il livello dell'ingresso audio d'emergenza.
Ruotarlo in senso orario per incrementare il livello od in senso antiorario per diminuirlo.

L'INGRESSO D'EMERGENZA EMERGENCY INPUT È QUELLO CHE HA LA PRIORITÀ PIÙ ALTA ED È DOTATO DI FUNZIONE "VOX", CHE È LA RILEVAZIONE AUTOMATICA DELLA PRESENZA DEL SEGNALE AUDIO (QUANDO QUESTO SUPERA UNA SOGLIA PREFISSATA) ALL'INGRESSO.

54 Ingresso per le basi microfoniche PAGING UNITS (porta RJ 45)

Fino a sei basi microfiche BM 2006 (con selezione su 6 zone) possono essere collegate in cascata a questa porta.

55 Ingresso per il controllo remoto REMOTE CONTROL (porta RJ 45)

Ingresso per il collegamento di un controllo remoto RC 2946.

56 NC – COM – NO (connettore removibile)

Contatto pulito di un relè interno che si eccita quando un annuncio da base microfonica è in corso.

Indicazioni:

NC	Normalmente chiuso
COM	Comune
NO	Normalmente aperto

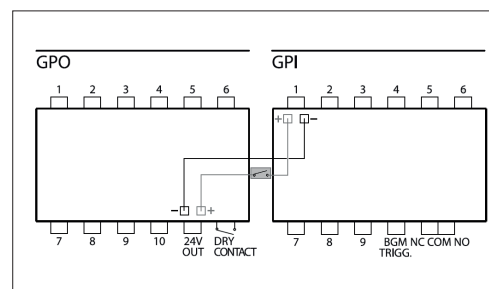
57 Ingressi logici GPI ("Generic Purpose Inputs", connettore removibile)

Ingressi logici attivabili da comandi di altri dispositivi.

Tramite menù (mostrato sul display), la funzione dei 9 ingressi logici può essere scelta tra 3 opzioni:

- **ZONE TRIGGER:** quando un ingresso logico (GPI) è collegato all'uscita 24 V OUT, la zona (il "bus" della musica) e l'uscita logica (GPO) aventi lo stesso numero sono attivate;
- **HIGH TRIGGER:** quando un ingresso logico (GPI) non è collegato all'uscita 24 V OUT, l'uscita logica (GPO) avente lo stesso numero è attivata;
- **LOW TRIGGER:** quando un ingresso logico (GPI) è collegato all'uscita 24 V OUT, l'uscita logica (GPO) avente lo stesso numero è attivata.

È presente un decimo ingresso logico nominato BGM TRIGG. che (se attivato) dà la priorità dell'ingresso AUX PAGING.



58 Uscita 24 V OUT (connettore removibile)

Uscita 24 V c.c. disponibile per l'attivazione degli ingressi logici GPI e l'alimentazione di controlli esterni (I max: 800 mA).

59 Contatto pulito di segnalazione guasto DRY CONTACT (connettore removibile)

Contatto "pulito" che si chiude quando è rilevato un guasto nell'unità centrale.

60 Uscite logiche GPO ("Generic Purpose Outputs", connettore removibile)

10 uscite logiche attive (i 2 contatti sono in cortocircuito) durante un annuncio verso le rispettive zone oppure a causa dell'attivazione di un ingresso logico GPI.

Ad esempio, durante un annuncio microfonico verso la zona 3, l'uscita logica GPO 3 è attiva.

61 Ingresso per linea 100 V EXT. AMP IN (solo ZM 2124, connettore removibile)

Ingresso per la connessione dell'uscita 100 V dell'amplificatore esterno quando l'unità centrale ZM 2124 è impostata nella modalità con doppio amplificatore (tramite il rispettivo dip-switch **28**).

L'amplificatore esterno è usato solo per gli annunci microfonici ed il suo ingresso deve essere collegato all'uscita audio PRE OUT **34**.

L'AMPLIFICATORE ESTERNO DOVRÀ FORNIRE POTENZA SUFFICIENTE PER TUTTI I DIFFUSORI ACUSTICI (MODELLO SUGGERITO: 240 W, COME LA POTENZA DELL'AMPLIFICATORE INTERNO).

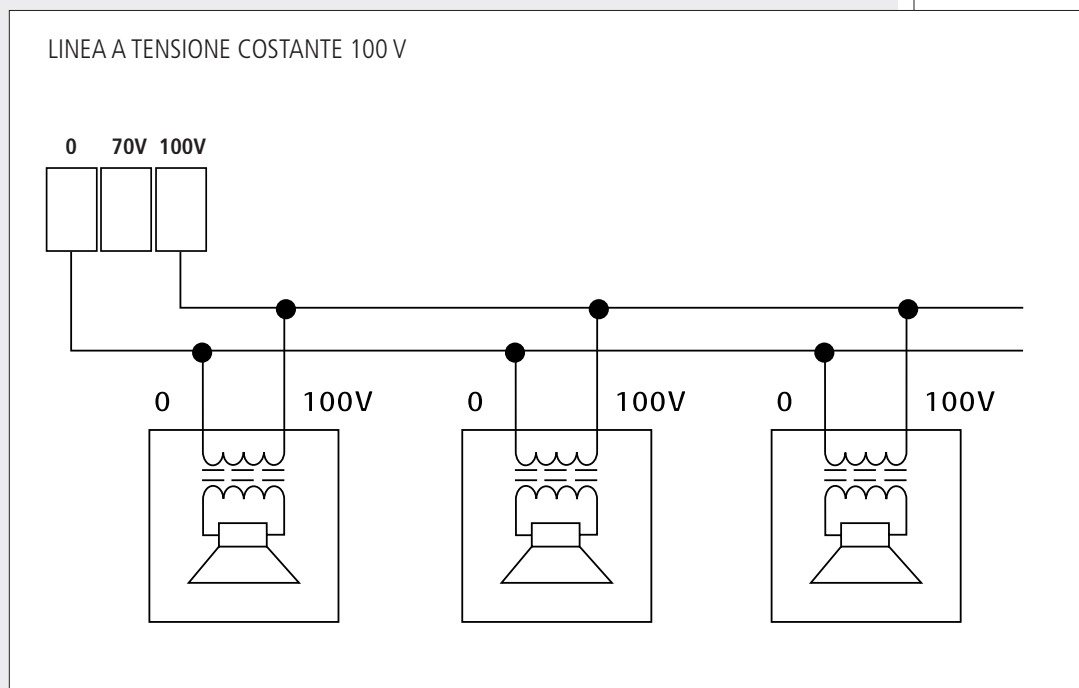
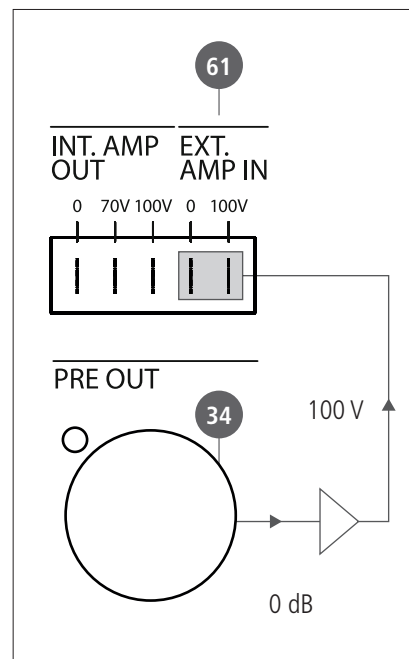
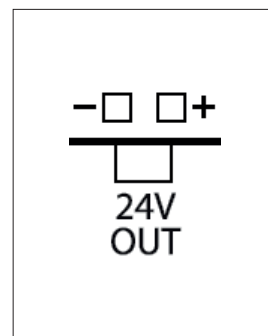
SE L'UNITÀ CENTRALE ZM 2124 È IMPOSTATA NELLA MODALITÀ DI SINGOLO AMPLIFICATORE, L'INGRESSO EXT. AMP IN NON DEVE ESSERE COLLEGATO.

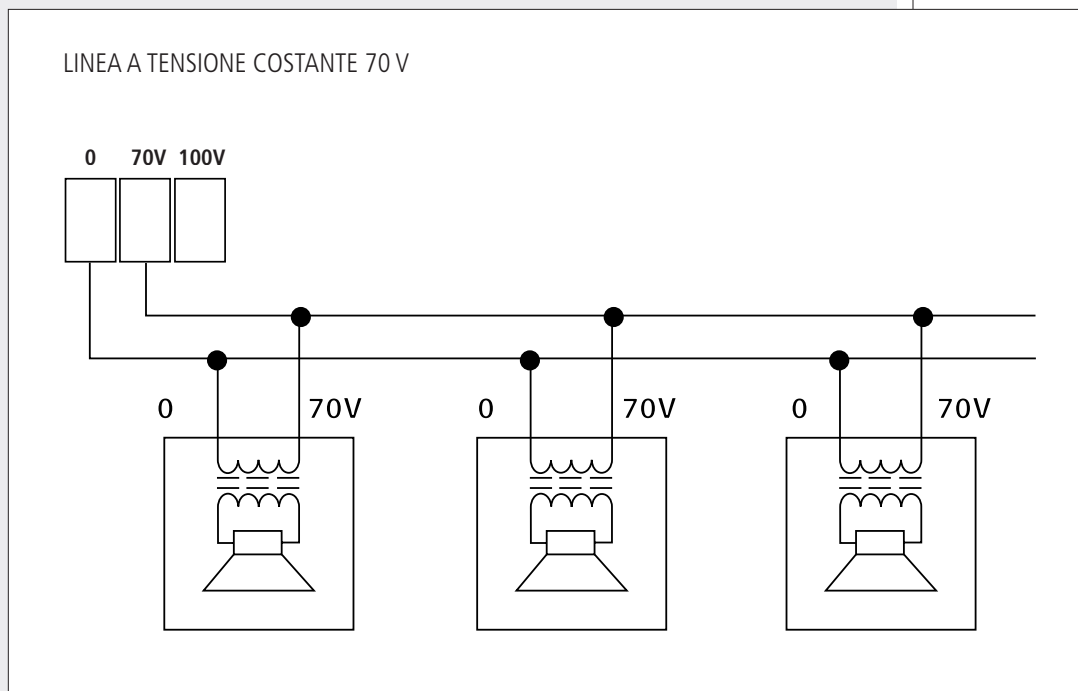
62 USCITA DIRETTA PER DIFFUSORI ACUSTICI INT. AMP OUT (SOLO ZM 2124, CONNETTORE REMOVIBILE)

USCITA DIRETTA (LINEA 100 / 70 V) DELL'AMPLIFICATORE INTERNO PER DIFFUSORI ACUSTICI NON SOGGETTA ALLA COMMUTAZIONE DELLE ZONE.

OGNI DIFFUSORE ACUSTICO DEVE ESSERE CORREDATO DI UN UN TRASFORMATORE AVENTE TENSIONE D'INGRESSO UGUALE A QUELLA DELLA LINEA (100 / 70 V).

LA POTENZA TOTALE DEI DIFFUSORI ACUSTICI (CONSIDERANDO TUTTE LE 6 ZONE) NON DEVE ESSERE ECCEDERE QUELLA MASSIMA (240 W) DELL'AMPLIFICATORE.





- 63** Ingresso per linea 100 V AMP IN 1 (solo ZM 2100, connettore removibile)
 Ingresso per la connessione dell'uscita 100 V del primo amplificatore esterno (quando tutte le zone sono servite solo da uno o due amplificatori, nel secondo caso uno per gli annunci microfonici ed uno per la musica di sottofondo).
 Se l'unità centrale ZM 2100 è impostata nella modalità "singolo amplificatore" (tramite il rispettivo dip-switch **28**), l'amplificatore esterno è usato sia per gli annunci sia per la musica di sottofondo.
 Se l'unità centrale ZM 2100 è impostata nella modalità "doppio amplificatore", il primo amplificatore esterno è usato solo per la musica di sottofondo.

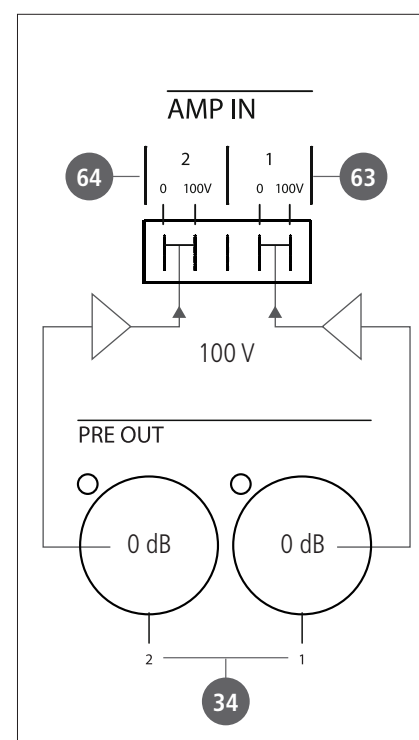
IL PRIMO AMPLIFICATORE ESTERNO DEVE AVERE POTENZA SUFFICIENTE (MASSIMA: 240 W) PER TUTTI I DIFFUSORI ACUSTICI.

Nel caso si utilizzi un amplificatore esterno per ogni zona, collegare l'uscita PRE OUT 1 [34] direttamente all'ingresso AMP IN 1 **63** (vedere la sezione successiva del manuale "ZM 2100 – Commutazione delle zone con segnali a 0 dB"); tutti gli ingressi degli amplificatori esterni si collegano alle uscite per diffusori acustici **65** (qui usate come sei uscite audio a 0 dB, una per zona).

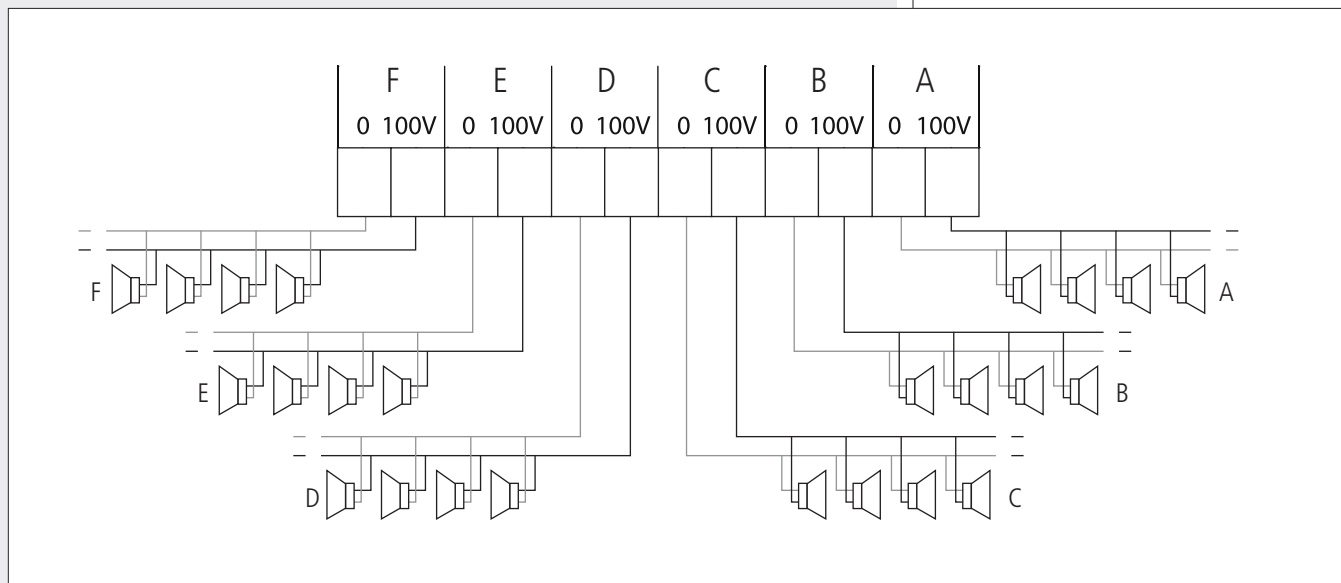
- 64** Ingresso per linea 100 V AMP IN 2 (solo ZM 2100, connettore removibile)
 Ingresso per la connessione dell'uscita 100 V del secondo amplificatore esterno (quando tutte le zone sono servite solo da due amplificatori, uno per gli annunci ed uno per la musica).
 Il secondo amplificatore esterno è usato solo per gli annunci.

IL SECONDO AMPLIFICATORE ESTERNO DEVE AVERE POTENZA SUFFICIENTE (MASSIMA: 240 W) PER TUTTI I DIFFUSORI ACUSTICI.

Nel caso si utilizzi un amplificatore esterno per ogni zona, collegare l'uscita PRE OUT 2 **34** direttamente all'ingresso AMP IN 2 **64** (vedere la sezione successiva del manuale "ZM 2100 – Commutazione delle zone con segnali a 0 dB"); tutti gli ingressi degli amplificatori esterni si collegano alle uscite per diffusori acustici **65** (qui usate come sei uscite audio a 0 dB, una per zona).



65 Uscite di zona A ÷ F, linee 100 V per diffusori acustici (connettore removibile)
 Sei uscite (linee 100 V, soggette alla commutazione delle zone) per diffusori acustici.
 Nelle configurazioni con uno o due amplificatori per tutte le zone, la potenza totale dei
 diffusori acustici (la somma di tutte le 6 zone) non deve eccedere i 240 W ed ognuno
 deve avere l'ingresso per linea 100 V.



Solo ZM 2100: quando si utilizza un amplificatore esterno per ciascuna zona, collegare ogni ingresso di un amplificatore esterno alla rispettiva uscita diffusori di zona, qui usata come uscita audio 0 dB (vedere la sezione successiva del manuale "ZM 2100 – Commutazione delle zone con segnali a 0 dB").

66 Ingresso alimentazione DC 24 V (connettore removibile)
 Ingresso per alimentazione secondaria a 24 V c.c. (es. batterie) per il funzionamento dell'unità centrale nel caso che l'alimentazione principale da rete non sia al momento disponibile.
 Controllare attentamente la polarità + / - dei collegamenti.

ZM 2100 – COMMUTAZIONE DELLE ZONE CON SEGNALI A 0 dB



Il modello ZM 2100 permette di utilizzare uno o più amplificatori esterni per ciascuna delle 6 zone.
 Tutti i relè interni dell'unità centrale ZM 2100 sono (in questo caso) usati per commutare segnali audio ad alto livello (0 dB) invece di linee 100 V (in uscita da amplificatori).
 L'unità centrale ZM 2100 deve essere impostata nella modalità "doppio amplificatore" tramite il rispettivo dip-switch **28**.

CONNESSIONI

Collegare l'uscita PRE OUT 1 **34** direttamente all'ingresso AMP IN 1 **63** e l'uscita PRE OUT 2 **34** all'ingresso AMP IN 2 **64**.

Collegare le uscite A ÷ F **65** agli ingressi degli amplificatori esterni.

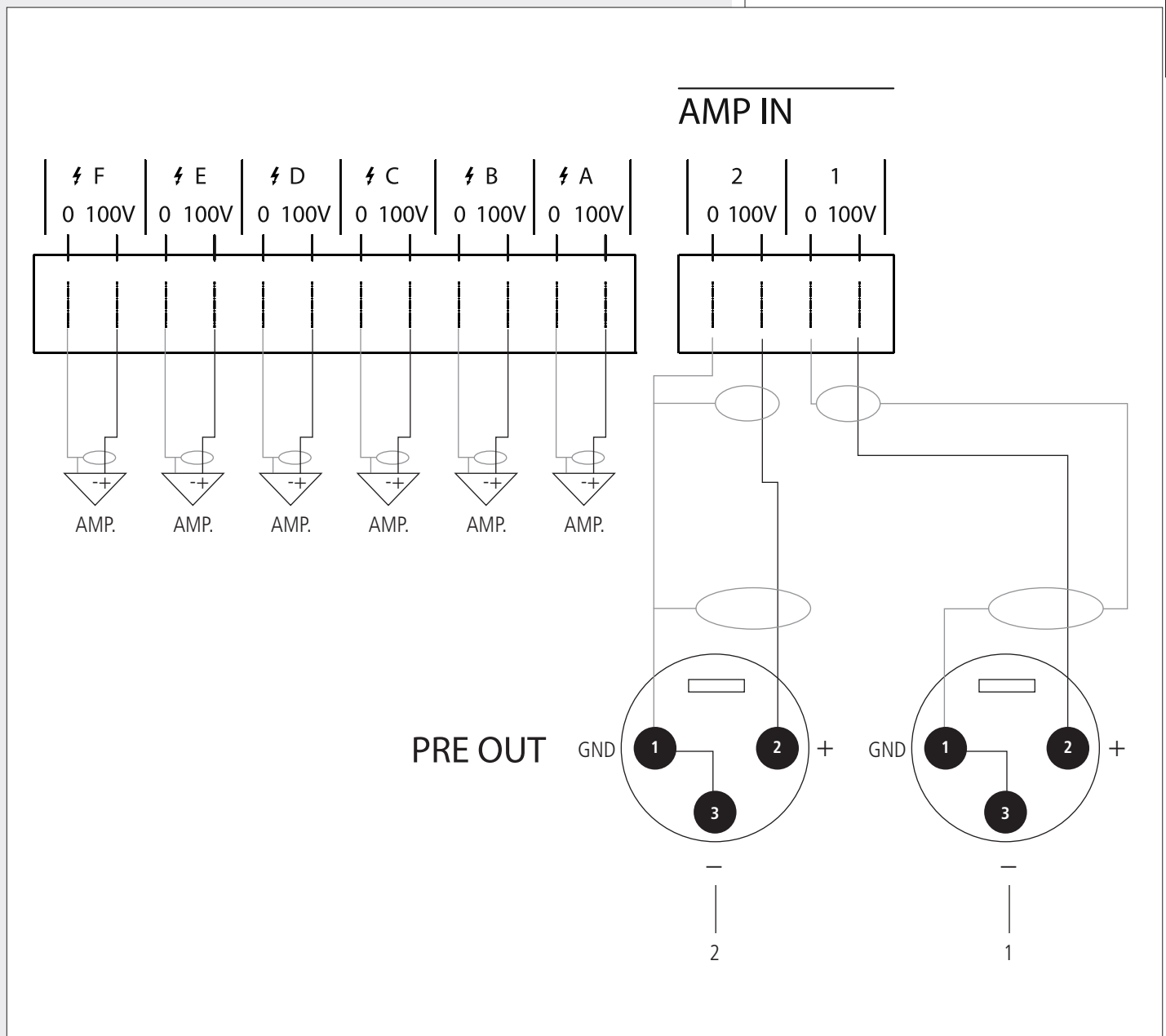
NOTE:

- devono essere realizzati cavi appositi;
- tutti i contatti "100 V" dell'unità ZM 2100 sono qui usati per i segnali audio;
- tutti i contatti "0" dell'unità ZM 2100 sono qui usati per la massa.

CONNESSIONI

NOTE

VEDERE IL SEGUENTE SCHEMA MULTIFILARE:



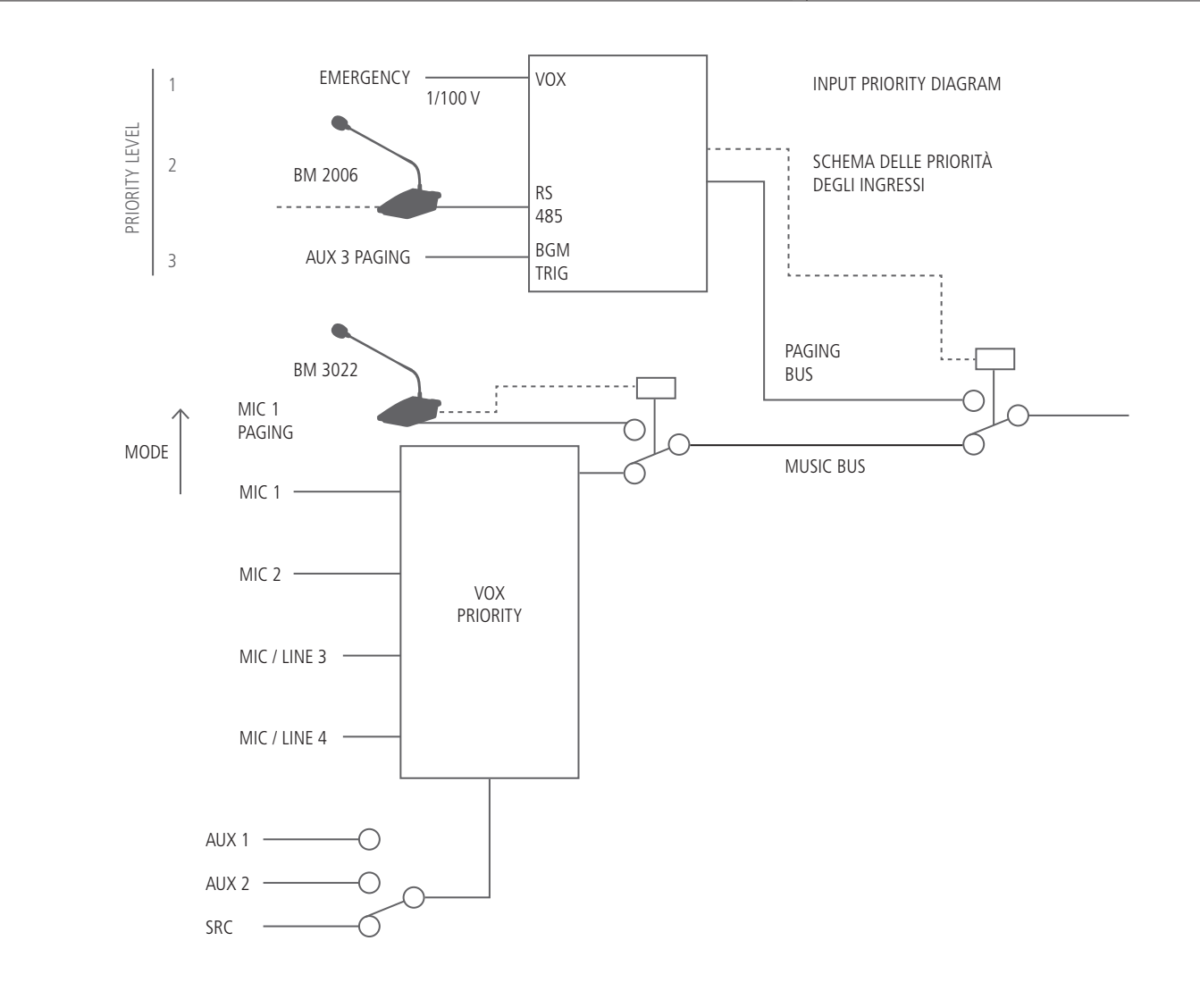
INSTALLAZIONE IN RACK 19"



Le unità centrali ZM 2124 e ZM 2100 possono essere poste sia un tavolo o banco, sia installate in un rack 19" fissando (tramite viti) le alette laterali a corredo.



	ZM 2124	ZM 2100
AMPLIFICATORE INTERNO	Analogico	(non presente)
POTENZA NOMINALE AMPLIFICATORE INTERNO	240 W	(nessun amplificatore interno)
TENSIONE D'USCITA AMPLIFICATORE INTERNO	100 – 70 V (diretta), 100 V (6 zone)	(nessun amplificatore interno)
RISPOSTA IN FREQUENZA (+1 / -3 dB)	MIC: 60 Hz ÷ 15 kHz AUX: 50 Hz ÷ 20 kHz	
DISTORSIONE (alla potenza massima)	< 1%	(nessun amplificatore interno)
SENSIBILITÀ INGRESSO MIC	1,5 mV (– 54 dBu)	
RAPPORTO SEGNALE/RUMORE INGRESSO MIC	> 60 dB	
IMPEDENZA INGRESSO MIC	600 Ω (bilanciato)	
SENSIBILITÀ INGRESSO LINE	200 mV (– 12 dBu)	
RAPPORTO SEGNALE/RUMORE INGRESSO LINE	> 70 dB	
IMPEDENZA INGRESSO LINE	600 Ω (bilanciato)	
SENSIBILITÀ INGRESSO AUX	200 mV (– 12 dBu)	
RAPPORTO SEGNALE/RUMORE INGRESSO AUX	> 75 dB	
IMPEDENZA INGRESSO AUX	10 kΩ (sbilanciato)	
CONTROLLO TONO BASS INGRESSI 1÷4, AUX	100 Hz ± 10 dB	
CONTR. TONO TREBLE INGRESSI 1÷4, AUX	10 kHz ± 10 dB	
SENSIBILITÀ INGRESSO EMERGENCY	100 mV (segnale audio bilanciato), linea 100 V	
RAPPORTO SEGNALE/RUMORE INGRESSO EMERGENCY	> 70 dB	
IMPEDENZA INGRESSO EMERGENCY	600 Ω (segnale audio bilanciato, ingresso 100 mV)	
SENSIBILITÀ INGRESSO PAGING (RJ 45)	1 V (+ 2 dBu)	
MAX. LIVELLO DELL'USCITA PRE OUT	1 V	
MAX. LIVELLO DELL'USCITA MOH	1 V (+ 2 dBm @ 600 Ω, bilanciata)	
POTENZA USCITA AMPLIFICATA MOH	1 W (su 8 Ω)	
MAX. POTENZA INGRESSO 100 V DA AMPLIFICATORE ESTERNO	240 W	
ALIMENTAZIONE	115 V / 230 V ac, 24 V dc	
MAX. CONSUMO DI POTENZA	720 W	100 W
CAMPO AMMESSO DI TEMPERATURA AMBIENTALE PER IL FUNZIONAMENTO	– 10 ÷ + 45 °C (+ 14 ÷ + 113 °F)	
DIMENSIONI (l, h, p)	430 mm, 133 mm, 365 mm (rack 19", 3 unità)	
PESO NETTO	16,1 kg	8,2 kg



Except possible errors and omissions.
RCF S.p.A. reserves the right to make modifications without prior notice.

Salvo eventuali errori ed omissioni.
RCF S.p.A. si riserva il diritto di apportare modifiche senza preavviso.

HEADQUARTERS:

RCF S.p.A. Italy
tel. +39 0522 274 411
e-mail: info@rcf.it

RCF UK
tel. 0844 745 1234
Int. +44 870 626 3142
e-mail: info@rcfaudio.co.uk

RCF France
tel. +33 1 49 01 02 31
e-mail: france@rcf.it

RCF Germany
tel. +49 2203 925370
e-mail: germany@rcf.it

RCF Spain
tel. +34 91 817 42 66
e-mail: info@rcfaudio.es

RCF Belgium
tel. +32 (0) 3 - 3268104
e-mail: belgium@rcf.it

RCF USA Inc.
tel. +1 (603) 926-4604
e-mail: info@rcf-usa.com



www.rcfaudio.com