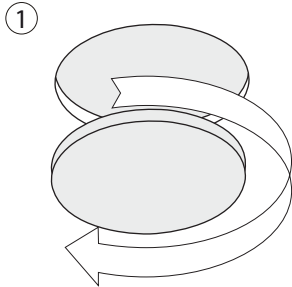


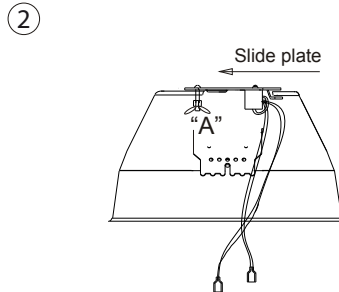
EVAC 5 Voice evacuation metal ceiling loudspeakers



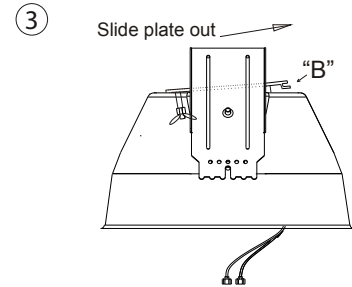
INSTALLATION MANUAL



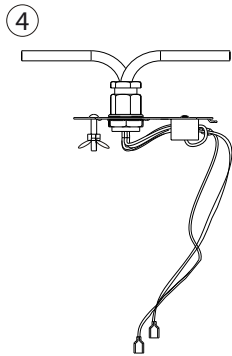
1 Cut out \varnothing 165 mm hole



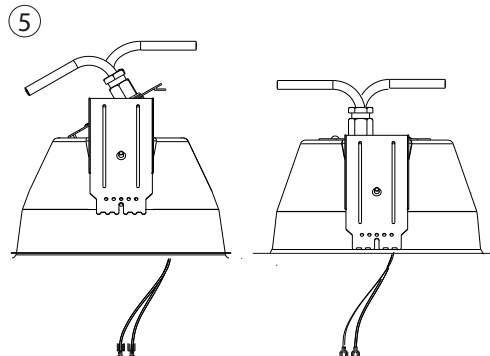
2 Loosen wing nut "A"
(do NOT remove the wing nut completely)
If the wing nut is on e.g. your left,
slide the whole plate to the left.



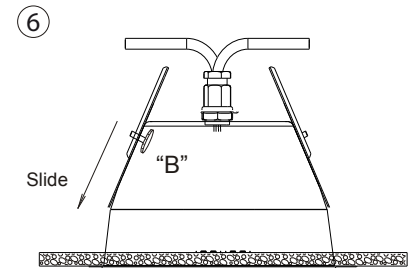
3 Lift the disengaged plates "B" side slightly
and slide the plate out of the dome.



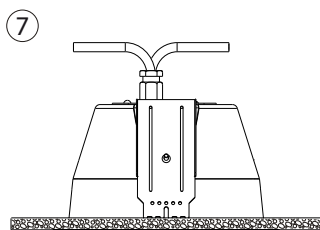
4 Connect plate to speaker line.



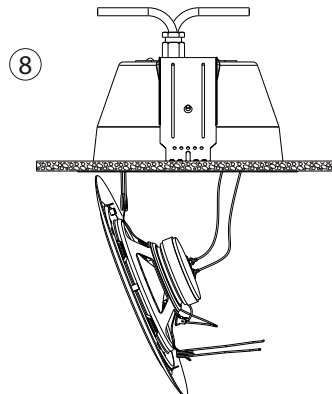
5 Re-fit plate to dome and tighten the wingnut



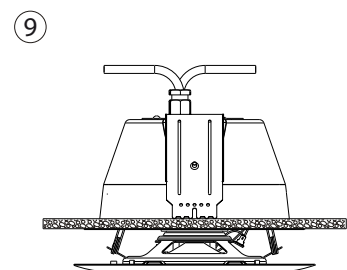
6 Fitting the dome into a ceiling
Loosen the retaining knob for slider "C"
Push sliders to the top of the dome and
insert dome into pre-cut hole.



7 Once dome has been inserted pull
the slider knob down until it clamps to
the ceiling. Tighten the retaining knobs
to secure the dome.



8 Fitting the speaker.
Compress "V" spring and fit into
the retaining ear within the dome.
Connect leads to the speaker
transformer.



9 Fit second "V" clip into second
retaining ear and gently push the
speaker up into the dome (do not
push the central perforated grille area)
the speaker will fit into the dome itself.