



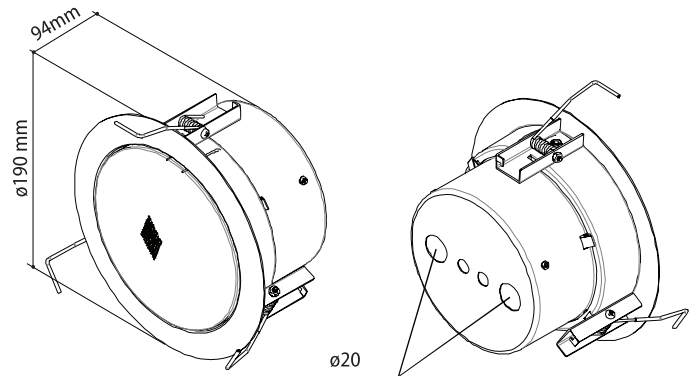
Horizontal & Vertical dispersion

		Horizontal	Vertical
1 Oct. Pink noise	500Hz	180°	180°
1 Oct. Pink noise	1kHz	180°	180°
1 Oct. Pink noise	2kHz	120°	120°
1 Oct. Pink noise	4kHz	80°	80°

EN54-24:2008
0359-CPD-0213
TYPE A

Electrical

Rated power	6W
Tappings 100 volt line	6W/3W/1.5W/0.75W/0.25W
Transformer impedance	1.67kΩ/3.33kΩ/6.66kΩ/13.3kΩ/40kΩ
Tappings 70 volt line	3W/1.5W/0.75W/0.375W/0.125W
Driver Impedance	8Ω
Effective Frequency range (BSEN60268-5)	180Hz-17.5kHz
S.P.L.@4m, 1watt, 1/3 Octave, 1kHz	62dB
S.P.L.@1m, 1watt, Octave, 1kHz	87dB
S.P.L.@4m, Full power, 1/3 Octave, 1kHz	70dB
S.P.L.@1m, Full power, Octave, 1kHz	95dB



Environmental

IP-rating	21
Max/Min ambient temperature	55 °C/-10 °C
Relative humidity	≤ 95%

Mechanical

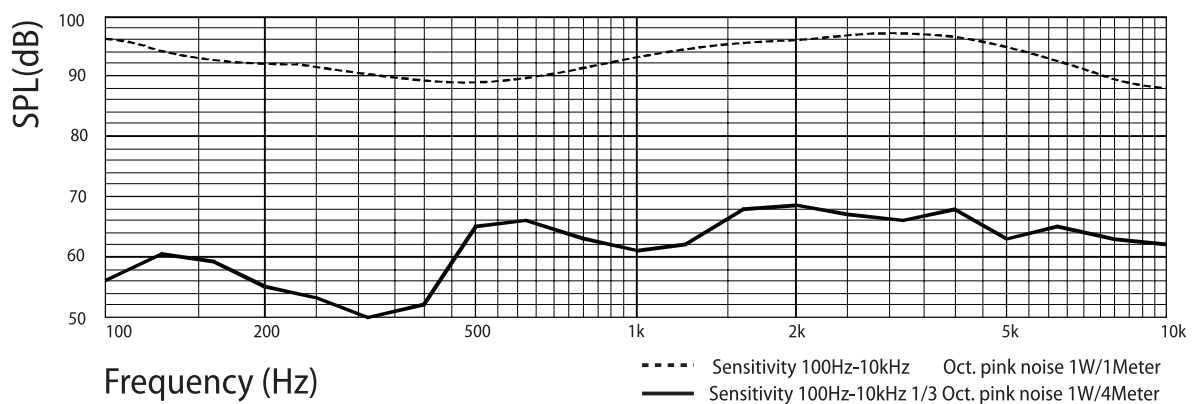
Dimensions	ø190mm x 94mm
Weight	1.1 Kg
Colour	RAL 9016
Material	Steel, White Paint
Mounting	Bayonet System with 3 spring
Cut out	ø172mm

With transformer:

100V/70V line

	White wire plus tapping					Black
100V	0.25W	0.75W	1.5W	3W	6W	COM
70V	0.125W	0.375W	0.75W	1.5W	3W	COM
IMPEDANCE	40kΩ	13.3kΩ	6.66kΩ	3.33kΩ	1.67kΩ	

Frequency response



*Active Equalizer Applied: NO

EVAC 5EN has been tested in 100 hours max power (6W). The model does not deviate more than ± 3 dB from the original test value. The freq. response curve and impedance complies with the original one. All SPL tests are performed in a anechoic chamber ($<70\text{m}^3$).