

EN USER MANUAL
ES MANUAL DE INSTRUCCIONES
FR NOTICE D'UTILISATION
DE BEDIENUNGSANLEITUNG

HZA4-120F

 **wecler**



Graphic Symbol Explanation



The lightning flash with arrowhead symbol, within an equilateral triangle, is intended to alert the user to the presence of uninsulated “dangerous voltage” within the product’s enclosure that may be of sufficient magnitude to constitute a risk of electric shock to persons.



The exclamation point within an equilateral triangle is intended to alert the user to the presence of important operating and maintenance (servicing) instructions in the literature accompanying the appliance.



The lightning flashes printed next to the OUTPUT terminals of the amplifier are intended to alert the user to the risk of hazardous energy. Output connectors that could pose a risk are marked with the lightning flash. Do not touch output terminals while amplifier power is on. Make all connections with amplifier turned off.

WARNING: To prevent fire or shock hazard, do not expose this equipment to rain or moisture.

IMPORTANT SAFETY INSTRUCTIONS

1. Read these instructions.
2. Keep these instructions.
3. Heed all warnings.
4. Follow all instructions.
5. Do not use this apparatus near water.
6. Clean only with dry cloth.
7. Do not block any ventilation openings. Install in accordance with the manufacturer’s instructions.
8. Do not install near any heat sources such as radiators, heat registers, stoves, or other apparatus (including amplifiers) that produce heat.
9. Do not defeat the safety purpose of the polarized or grounding type plug. A polarized plug has two blades with one wider than the other. A grounding type plug has two blades and a third grounding prong. The wide blade or the third prong are provided for your safety. If the provided plug does not fit into your outlet, consult an electrician for replacement of the obsolete outlet.
10. Protect the power cord from being walked on or pinched particularly at the plugs, convenience receptacles, and at the point where they exit from the apparatus.
11. Only use attachments/accessories specified by the manufacturer.
12. Unplug the apparatus during lightning sorts or when unused for long periods of time.
13. Refer all servicing to qualified personnel. Servicing is required when the apparatus has been damaged in any way, such as power supply cord or plug is damaged, liquid has been spilled or objects have fallen into the apparatus, the apparatus has been exposed to rain or moisture, does not operate normally, or has been dropped.
14. Disconnecting from mains: Switching off the POWER switch (25) all the functions and light indicators of the amplifier will be stopped, but fully disconnecting the device from mains is done unplugging the power cord from the mains input socket (26). For this reason, it always shall remain readily operable.
15. Caution! The lateral heat sinks may have sharp edges.

1. IMPORTANT REMARK	04
2. INTRODUCTION	04
3. INSTALLATION	05
3.1. Placement and mounting	05
3.2. Mains connection	05
3.3. Signal input connections	06
3.4. Output connections and channel linking with the FLEXIPOWER function	06
3.5. Internal switches for high-pass filters	07
3.6. Remote control ports for attenuation	07
3.7. <i>REMOTE CONTROL</i> ports connection	07
4. OPERATION AND USAGE	07
4.1. Start up	07
4.2. Front panel LED indicators	08
4.3. Front panel volume controls	08
4.4. <i>AUTO STBY ON/OFF</i> switch	08
5. CLEANING	08
6. DIAGRAMS	09
6.1. Function list	09
6.2. Function diagram	09
6.3. Technical characteristics	34
6.4. Configuration diagram	35
6.5. Block diagram	35



All numbers subject to variation due to production tolerances. ECLER SA reserves the right to make changes or improvements in manufacturing or design which may affect specifications.

1. IMPORTANT REMARK

Congratulations! You are the owner of a carefully designed and manufactured equipment. We thank you for having purchased our HZA4-120F power amplifier.

It is VERY IMPORTANT that you read this manual before connecting the amplifier in order to obtain its maximum performance.

We recommend our authorised Technical Services whenever any maintenance task should be needed so that optimum operation shall be achieved.

2. INTRODUCTION

The HZA4-120F is a four-channel power amplifier with high impedance (100V line) directly amplified outputs. Its main features are:

- Internal structure with four separate mono amplifiers, for 4 different mono input signals.
- The **FLEXIPOWER** technology can be used to link 2, 3 or 4 adjacent channels, adding their individual power, while operating as a single amplifier channel with a total power equivalent to the sum of the channels.
- Independent volume adjustment (per channel) through front panel controls.
- Independent (per channel) 0-10 VDC remote volume control, via screw terminals on rear panel.
- **SPM 100 Technology - Channel N** for direct high impedance amplification (100V line) without output transformers, which has the following benefits compared to traditional 100V line amplification with transformers:
 - Better frequency response in the low band of the audible spectrum (low frequencies or bass) because there is no degradation of this part of the spectrum usually due to the saturation of transformers core.
 - Great efficiency.
 - Reduced weight.
- Convection cooling, without fan, with the following benefits:
 - No background noise.
 - Increased reliability.
- “Auto-standby” function: the amplifier automatically switches to standby mode (low consumption mode) when it remains approximately two minutes without detecting any input signal, then immediately switches back to normal operating mode when an input signal is re-detected.
- Thermal protection.
- Overload protection.
- “Anticlip” system to protect from saturation due to an excessively high signal level.

3. INSTALLATION

3.1. Placement and mounting

The amplifier is presented as a 2 unit high 19" rack module. It is supplied with plastic washers in order not to damage the unit when tightening the screws.

It is very important not to enclose the amplifier or expose it to extreme temperatures as it generates heat. **It's also necessary to promote the passage of fresh air through the ventilation holes of the chassis, leaving at least one rack unit off between each device and installed above and below it in the rack frame.**

If the setup has several amplifiers in the same rack or in a closed cabinet with doors, it is highly recommended to supply them forced ventilation, installing fans at the upper and lower ends. This upward air flow will help to dissipate the heat generated inside.

In order to optimize as much as possible the correct thermal dissipation of equipment installed in a closed rack, it is advisable not to place power amplifiers under other appliances, but upon these ones.

3.2. Mains connection

The NZA4-70 amplifiers are fed with alternate currents, depending on the country, of 110-120, 220-240V 47-63Hz. (see characteristics in the back of the unit).

The amplifier should have an earth connection in good conditions (earth resistance, $R_g=30\Omega$ or less). The environment must be dry and dustless. Do not expose the unit to rain or water splashes, and do not place liquid containers or incandescent objects like candles on top of the unit. Do not obstruct the ventilation grids with any kind of material.

In case there is some type of intervention and/or connection-disconnection of the amplifier, it is most important to previously disconnect the mains power supply. There are no user or serviceable parts inside the amplifier.

You should avoid that the supply cable twists with the shielded signal cables, as this could lead to unwanted hum.

In order to protect the unit from an eventual electrical overload or momentary power peaks from the internal circuits it carries a fuse. Should it ever blow up, unplug the unit from mains and replace it with an identical one. If the new fuse blows again contact immediately with our Authorized Technical Service.



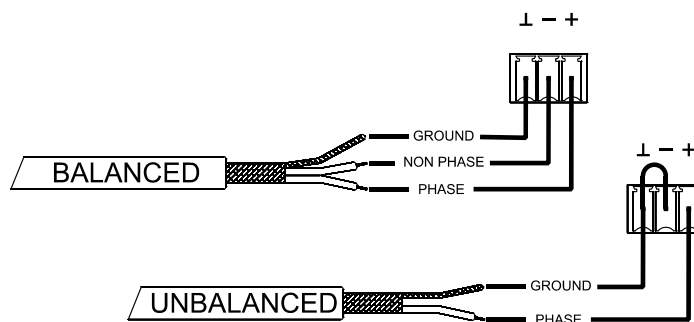
CAUTION: YOU MUST NEVER USE A HIGHER VALUE FUSE.

3.3. Signal input connections

The amplifier HZA4-120F features 4 balanced and line level analog signal inputs (one per amplification channel) on its rear panel.

Signal input connectors are 3 position screw terminal block (40, 41, 43, 45). The wiring is:

- HOT or direct signal > Pin +
- COLD or inverted signal > Pin -
- GROUND > Pin ⊥



For unbalanced connection short-circuit pin ⊥ to pin -.

STACK outputs (42, 44) available for inputs 1 and 2 are parallel to the input and serve to re-send the signal of these inputs (*INPUTS, CH1 / CH2*) to other input channels, amplifiers or sound systems.

The input impedance is 20KΩ (balanced) with a nominal input sensitivity of 0dBV(1V). This impedance makes possible to parallel several amplifiers without loosing audio quality.

3.4. Output connections and channel linking with the FLEXIPOWER function

The rear panel *OUTPUTS* section is fitted with two position screw terminal block (35, 36, 37, 38) for each amplifier channel. Always respect the relative polarity for outputs (0 and 100 on each output connector), wiring and speakers.

The **FLEXIPOWER** Function: a *MERGE* switch is installed between each pair of output connectors:

- When the switch is in the top position, the pair of channels has an independent behaviour; the FLEXIPOWER function will not be active
- When the switch is in the lower position (MERGE), the two channels will be linked and their individual power will be added:
 - The two outputs of the pair of channels and the speaker lines connected to these channels will be connected in parallel
 - The **MERGE** LED (6, 11, 16) light on the front panel, between the pair of channels, will be lit
 - The audio content of the pair of channels becomes the sound source connected to the input of the channel with a lower number (input 1 for channel pair 1&2, input 2 for channel pair 2&3, input 3 for channel pair 3&4)
 - The active front and remote volume control (if used) of the channel pair becomes that of the channel with a lower number (controls on channel 1 for channel pair 1&2, controls on channel 2 for channel pair 2&3, controls on channel 3 for channel pair 3&4)

2, 3 or 4 adjacent channels can be linked (with a resulting double, triple or quadruple power), with the following sound source and volume control arrangement:

FLEXIPOWER inputs routing and associated volume controls							
	MERGED CHANNELS						
	Independent	1 & 2	2 & 3	3 & 4	1 & 2 & 3	2 & 3 & 4	1 & 2 & 3 & 4
CHANNEL 1	IN 1	IN1	IN1	IN1	IN1	IN1	IN1
CHANNEL 2	IN 2		IN2	IN2		IN2	
CHANNEL 3	IN 3	IN3	IN2	IN3	IN3	IN2	IN1
CHANNEL 4	IN 4	IN4		IN4		IN4	

3.5. Internal switches for high-pass filters

Inside the amp there are four jumpers to activate/deactivate the high-pass filter for each amplifier channel, with a cutoff frequency set at 70Hz and a slope of 18dB/octave. The high-pass filter is recommended for some 100V line applications, especially when audio content is primarily vocal (public address announcements, for example).

See the *SETUP DIAGRAM* for more information.

3.6. Remote control ports for attenuation

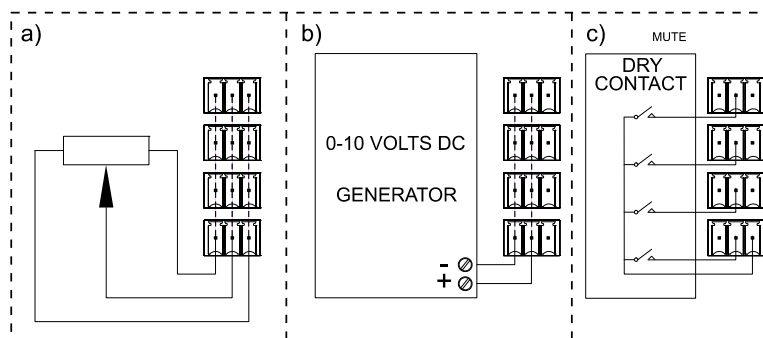
The HZA4-120F features 4 remote control ports labeled “*REMOTE CONTROL*” (35, 36, 37, 38) on its rear panel. You can connect WPm series, REVO control panels etc. to each of these ports to remotely attenuate the input signal (and therefore, the output volume of affected channels).

The maximum level of each amplification channel (and therefore its output volume) that can be reached by the remote attenuator is determined by the position of its front knob (21, 22, 23, 24).

3.7. *REMOTE CONTROL* ports connection

The signal remote attenuation level for each input channel can be set by using 3 types of external devices connected to the rear panel *REMOTE CONTROL* ports:

- Using a remote potentiometer with nominal resistance between 10k Ω and 50k Ω , WPm series or equivalent.
- Using a device that generates a control voltage from 0 to 10V DC.
- Using remote relays/dry contacts.



NOTE: you can connect up to 16 *REMOTE CONTROL* ports in parallel to the same hardware control potentiometer. You have to merge the ground of all amplifiers belonging to these ports.

The connection cables can be up to 500m long if a section of 0.5mm² is used.

Consult the available accessories at your ECLER dealer or at www.ecler.com.

4. OPERATION AND USAGE

4.1. Start up

This will be done through the *POWER ON* (25) switch and the built-in indicator immediately lights.

In a complete audio installation, it is important to start up the equipment in the following sequence: sound sources, mixer, equalizers, active filters, processors and finally power amplifiers. To turn them off the sequence should follow an inverse pattern.

4.2. Front panel LED indicators

The HZA4-120F is equipped with the following front panel LEDs:

- *STBY* indicator (1): illuminates when the amplifier is in standby (low consumption mode), after approximately two minutes without any input signal detected. When an input signal is re-detected, the amplifier automatically switches back to normal operating mode.
- Signal Presence indicators, *SP* (2, 7, 12, 17): warn of the presence of signal at the amplifier inputs. These indicators illuminate when the input signal exceeds -35dB.
- Overload indicators, *OVL* (3, 8, 13, 18): illuminate when the channel reaches its maximum power capacity, due to a too low load impedance.
- *CLIP* indicators (4, 9, 14, 19): illuminate when the speakers output signal is close to the actual clipping level. The *CLIP* system takes into account possible fluctuations in the supply voltage if they exist, always giving a real indication. It is normal when you work at high power levels that *CLIP* indicators illuminate to the beat of the low frequencies, which are those with the higher energy content. Make sure this doesn't permanently illuminate indicators during normal operating mode.
- Thermal protection indicators, *TH* (5, 10, 15, 20): indicate that the channel over-temperature protection has been activated; normal operation will be restored when the temperature returns to the correct operating temperature range.
- *MERGE* Indicators: they indicate whether the **FLEXIPOWER** function that links two adjacent channels has been activated with the switches on the rear panel or not.

4.3. Front panel volume controls

The front panel features four volume knobs, one per channel, allowing independent adjustment of the maximum output level for each amplifier channel.

Remote control ports also allow to adjust the volume of each amplifier channel from a WPM series panel, a potentiometer or other external hardware device; the actual volume of each channel is the result of the two volume controls position (front panel and remote control).

In the device packaging, you'll find a bag with clear caps to be inserted on the front panel knobs. They protect the input attenuation settings from unsolicited tampering. Once inserted, you must use a flathead screwdriver or a similar tool to remove them.

4.4. AUTO STBY ON/OFF switch

Switch (39) that enables/disables the auto standby mode (sleep or low consumption mode). If this function is activated, the amplifier will switch to standby after approximately two minutes without any input signal detected. When an input signal is re-detected, the amplifier automatically switches back to normal operating mode.

5. CLEANING

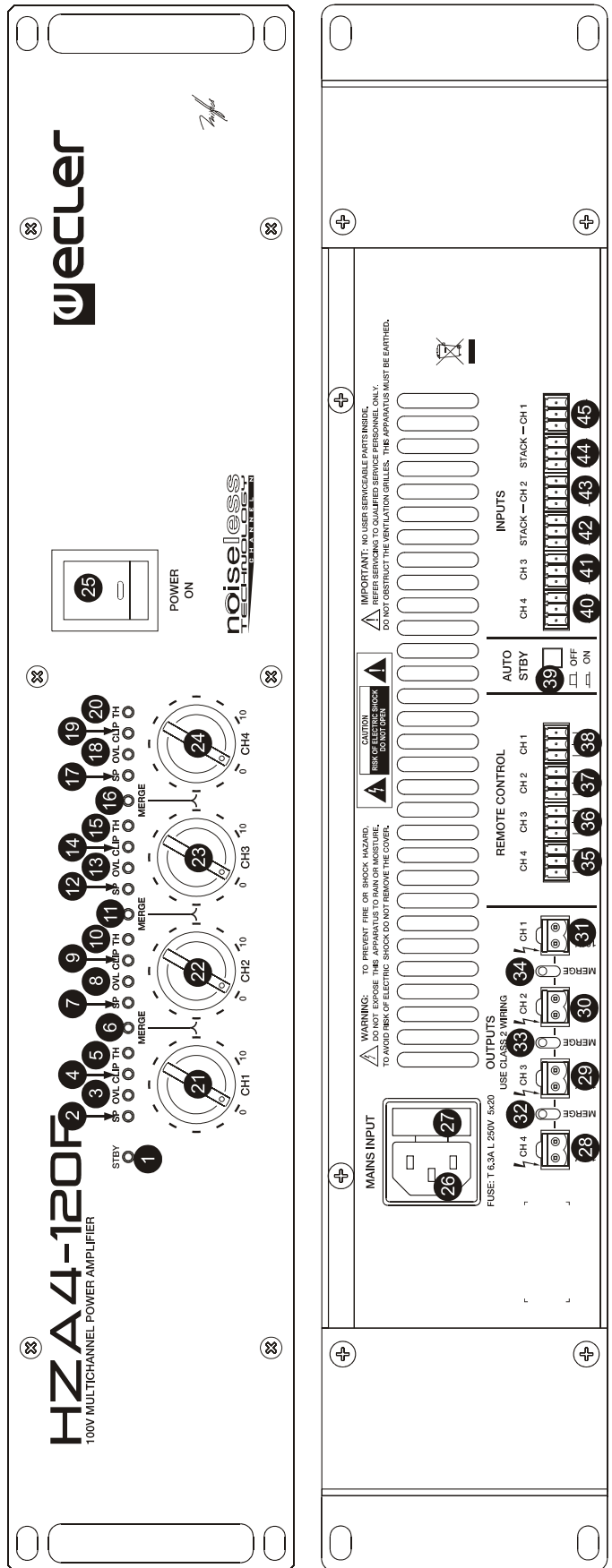
The front panel should not be cleaned with dissolvent or abrasive substances because silk-printing could be damaged. To clean it, use a soft cloth slightly wet with water and neutral liquid soap; dry it with a clean cloth. Be careful that water never gets into the amplifier through the holes of the front panel.

6. DIAGRAMS

6.1. Function list

1. Automatic power off indicator, STBY
2. Signal presence, SP CH 1
3. Overload indicator, OVL CH 1
4. Clip indication, CLIP CH 1
5. Thermal protection indicator, TH CH 1
6. Merge indicator, MERGE 1 & 2
7. Signal presence, SP CH 2
8. Overload indicator, OVL CH 2
9. Clip indication, CLIP CH 2
10. Thermal protection indicator, TH CH 2
11. Merge indicator, MERGE 2 & 3
12. Signal presence, SP CH 3
13. Overload indicator, OVL CH 3
14. Clip indication, CLIP CH 3
15. Thermal protection indicator, TH CH 3
16. Merge indicator, MERGE 3 & 4
17. Signal presence, SP CH 4
18. Overload indicator, OVL CH 4
19. Clip indication, CLIP CH 4
20. Thermal protection indicator, TH CH 4
21. Volume, CH 1
22. Volume, CH 2
23. Volume, CH 3
24. Volume, CH 4
25. Power switch and pilot light, POWER
26. Mains socket
27. Fuse holder
28. Output terminals channel 4, CH 4
29. Output terminals channel 3, CH 3
30. Output terminals channel 2, CH 2
31. Output terminals channel 1, CH 1
32. MERGE switch 3 & 4
33. MERGE switch 2 & 3
34. MERGE switch 1 & 2
35. Screwable terminal for remote control, CH 4
36. Screwable terminal for remote control, CH 3
37. Screwable terminal for remote control, CH 2
38. Screwable terminal for remote control, CH 1
39. Standby mode selector, AUTO STBY
40. Input terminals channel 4, CH 4
41. Input terminals channel 3, CH 3
42. Output terminals to other amplifiers, STACK CH 2
43. Input terminals channel 2, CH 2
44. Output terminals to other amplifiers, STACK CH 1
45. Input terminals channel 1, CH 1

6.2. Function diagram



Explicación de los Símbolos Gráficos

ES



El símbolo del relámpago con una flecha en la punta y dentro de un triángulo equilátero, tiene el propósito de alertar al usuario de la presencia de un voltaje peligroso y sin aislar dentro del aparato, y de una magnitud tal que puede constituir riesgo de descarga eléctrica para las personas.



El símbolo de exclamación dentro de un triángulo equilátero, tiene el propósito de alertar al usuario de la presencia de instrucciones importantes sobre la operación y mantenimiento en la información que viene con el producto.



Los símbolos de relámpagos dibujados cerca de los terminales de salida se utilizan para alertar al usuario del riesgo de descargas peligrosas. Los conectores de salida que podrían plantear algún riesgo se indican con este símbolo del relámpago. No toque los terminales de salida mientras que el amplificador esté encendido. Hacer todas las conexiones con el amplificador apagado.

ADVERTENCIA: para prevenir choques eléctricos o riesgo de incendios, no exponer este equipo a la lluvia o la humedad.

INSTRUCCIONES IMPORTANTES DE SEGURIDAD

1. Lea estas instrucciones
2. Guarde estas instrucciones
3. Preste atención a todas las advertencias
4. Siga todas las instrucciones
5. No utilice este aparato cerca del agua
6. Límpielo solamente con un paño seco
7. No bloquee ninguna abertura para ventilación. Instálelo de acuerdo con las instrucciones del fabricante
8. No lo instale cerca de fuentes de calor como radiadores, estufas u otros aparatos que produzcan calor, incluidos amplificadores.
9. No elimine el propósito de seguridad del cable de corriente polarizado o con conexión de tierra. Un cable polarizado tiene dos bornes, uno más ancho que el otro. Un enchufe con conexión a tierra, tiene dos bornes y un tercer borne conectado a tierra. Este tercer borne está previsto para su seguridad. Si el cable proporcionado no entra en su enchufe, consulte con un técnico electricista para reemplazar ese enchufe obsoleto.
10. Proteja el cable eléctrico de ser aplastado, en especial en la zona de los conectores, los receptáculos de los mismos y en el punto en el que el cable sale del aparato.
11. Utilice solamente los accesorios especificados por el fabricante.
12. Desconecte el aparato durante las tormentas eléctricas o cuando no lo vaya a usar durante periodos largos de tiempo.
13. Para cualquier reparación, póngase en contacto con un servicio técnico cualificado. La reparación es necesaria cuando el aparato no funciona con normalidad o ha sido dañado por cualquier motivo, ya sea porque el cable o el enchufe estén dañados, porque se hayan derramado líquidos o hayan caído objetos dentro del aparato, o porque el aparato haya sido expuesto a la lluvia o se haya caído.
14. Desconexión de la red: apagando el interruptor de POWER (25) todas las funciones e indicadores del amplificador se pararán, pero la completa desconexión del aparato se consigue desconectando el cable de red de su conector (26). Por esta razón, éste siempre debe tener fácil acceso.
15. ¡Precaución! Los radiadores laterales pueden tener bordes cortantes.

1. NOTA IMPORTANTE	12
2. INTRODUCCIÓN	12
3. INSTALACIÓN	12
3.1. Ubicación y montaje	12
3.2. Conexión a red	13
3.3. Conexiones de entrada de señal	13
3.4. Conexiones de salida y enlace de canales mediante función FLEXIPOWER	14
3.5. Conmutadores internos para filtros paso-altos	14
3.6. Puertos de control remoto de atenuación	14
3.7. Conexionado de los puertos REMOTE CONTROL	15
4. FUNCIONAMIENTO	15
4.1. Puesta en marcha	15
4.2. Indicadores LED del panel frontal	15
4.3. Controles de volumen del panel frontal	16
4.4. Conmutador AUTO STBY ON / OFF	16
5. LIMPIEZA	16
6. DIAGRAMAS	17
6.1. Lista de funciones	17
6.2. Diagrama de funciones	17
6.3. Características técnicas	34
6.4. Diagrama de configuración	35
6.5. Diagrama de bloques	35

Todos los datos están sujetos a variación debida a tolerancias de producción. ECLER S.A. se reserva el derecho de realizar cambios o mejoras en la fabricación o diseño que pudieran afectar las especificaciones.



1. NOTA IMPORTANTE

ES

¡Enhorabuena!. Vd. posee el resultado de un cuidadoso diseño y una esmerada fabricación. Agradecemos su confianza por haber elegido nuestra etapa de potencia multicanal HZA4-120F.

Para conseguir la máxima operatividad del aparato y su máximo rendimiento, es MUY IMPORTANTE antes de su conexión, leer detenidamente y tener muy presentes las consideraciones que en este manual se especifican.

Para garantizar el óptimo funcionamiento de este aparato, recomendamos que su mantenimiento sea llevado a cabo por nuestros Servicios Técnicos autorizados.

2. INTRODUCCIÓN

El HZA4-120F es un amplificador de potencia de cuatro canales con salidas amplificadas directamente en alta impedancia (línea de 100 V). Sus principales características son:

- Estructura interna de 4 amplificadores mono independientes, para 4 señales de entrada mono diferentes.
- Tecnología **FLEXIPOWER**, que permite enlazar 2, 3 ó 4 canales adyacentes, sumando sus potencias individuales y funcionando a todos los efectos como un único canal amplificador de potencia total equivalente a dicha suma.
- Ajuste de volumen independiente (por canal), mediante controles en panel frontal
- Control de volumen remoto 0 – 10 VDC independiente (por canal), accesible mediante terminales atornillables en panel posterior.
- Tecnología *SPM 100 Technology - Channel N* de amplificación directa en alta impedancia (línea de 100 V), sin transformadores de salida, la cual presenta los siguientes valores añadidos frente a la amplificación clásica para línea de 100 V, mediante transformadores:
 - Mejor respuesta frecuencial en la banda baja del espectro audible (frecuencias graves), al no existir la habitual degradación de esta parte del espectro debida a la saturación del núcleo de los transformadores.
 - Gran rendimiento.
 - Reducido peso.
- Ventilación por convección, sin ventiladores, que aporta:
 - Ruido de fondo inexistente.
 - Fiabilidad incrementada.
- Función de “auto stand-by”: el amplificador pasa automáticamente al modo de reposo (consumo reducido) al no detectar señal en las entradas durante un período aproximado de 2 minutos, volviendo de manera inmediata al régimen de trabajo normal al detectar de nuevo señal en ellas.
- Protección térmica.
- Protección por sobrecarga.
- Sistema “anticlip” o anti-saturación por exceso de señal.

3. INSTALACIÓN

3.1. Ubicación y montaje

El amplificador se presenta en módulo rack de 19" y dos unidades de altura, se suministra con arandelas de plástico con el fin de poderlo montar en un rack sin dañar el aparato.

Es muy importante que, como elemento generador de calor que es, el amplificador no esté completamente encerrado ni expuesto a temperaturas extremas. **Debe favorecerse el paso de aire fresco a través de los orificios de ventilación del chasis, dejando al menos una unidad de rack libre entre cada equipo y los instalados encima y debajo de él en el bastidor de rack.**

Si la instalación consta de varios amplificadores en el mismo rack o se realiza dentro de armarios cerrados mediante puertas, es altamente recomendable dotar a éstos de ventilación forzada

ascendente, instalando ventiladores en sus extremos inferior y superior. Dicho flujo ascendente de ventilación favorecerá la disipación del calor generado en su interior.

Con el objeto de favorecer en la medida de lo posible la correcta disipación térmica de los equipos instalados en armarios rack, es aconsejable no colocar los amplificadores de potencia debajo de otros aparatos, sino encima de éstos.

3.2. Conexión a red

El amplificador se alimenta con corriente alterna, según el país, de 110-120, 220-240V 47-63Hz. (ver placa de características en el aparato).

La etapa debe conectarse a una toma de tierra en condiciones (Resistencia de tierra, $R_g=30\Omega$ o menos). El ambiente de trabajo deberá ser seco y estar totalmente libre de polvo. No exponga el aparato a la caída de agua o salpicaduras, no ponga encima objetos con líquido ni fuentes de llama desnuda, como velas. No obstruya los orificios de ventilación con ningún tipo de material.

En caso de requerir alguna intervención y/o conexión-desconexión del amplificador debe desconectarse previamente la alimentación. En el interior del amplificador no existen elementos manipulables por el usuario.

Debe evitarse que el cable de red se entremezcle con los cables blindados que transportan la señal de audio, ya que ello podría ocasionar la aparición de interferencias y zumbidos.

Para proteger al amplificador de eventuales sobrecargas en la línea de red o bien excesos ocasionales en el consumo de los circuitos internos, está provisto de un fusible de red. En caso de que éste se fundiera se desconectaría el aparato y se sustituiría por otro de idénticas características. Si éste último se volviera a fundir, consulte con nuestro Servicio Técnico.



PRECAUCIÓN: EN NINGÚN CASO DEBE PONERSE UN FUSIBLE DE VALOR MÁS ELEVADO.

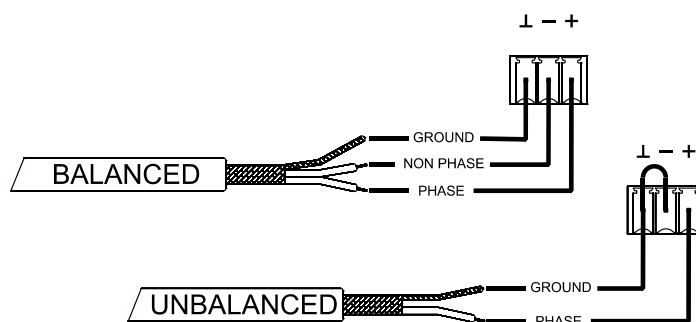
3.3. Conexiones de entrada de señal

El amplificador HZA4-120F dispone en su panel posterior de 4 entradas analógicas de señal, balanceadas y con nivel de línea (una por canal de amplificación).

Los conectores de entrada de señal son del tipo de regleta de tornillos de tres contactos (40, 41, 43, 45). La asignación del conexionado es la siguiente:

Vivo o señal directa	>	Terminal +
Frío o señal invertida	>	Terminal -
Masa	>	Terminal \perp

Para conexiones NO balanceadas cortocircuitar a masa el terminal -.



Las salidas *STACK* (42, 44), disponibles para las entradas 1 y 2, están en paralelo con las entradas y sirven para conectar la misma señal que tenemos en dichas entradas (*INPUTS, CH1 / CH2*) a otros canales de entrada, amplificadores o sistemas de sonido.

La impedancia de entrada es de 20 k Ω (balanceada) con una sensibilidad nominal de 0 dBV (1V). Esta impedancia permite conectar un gran número de etapas en paralelo sin merma de la calidad sonora.

3.4. Conexiones de salida y enlace de canales mediante función **FLEXIPOWER**

La sección **OUTPUT** del panel posterior está provista de una regleta atornillable de dos contactos (35, 36, 37, 38)) para cada uno de los 4 canales del amplificador. Respete siempre la polaridad relativa de las salidas (marcas 0 y 100V de cada conector de salida), cableado y altavoces.

Funcionamiento de la función **FLEXIPOWER**: entre cada pareja de conectores de salida se encuentra un conmutador denominado **MERGE**:

- Cuando dicho conmutador se encuentra en su posición superior, la pareja de canales se comporta de manera independiente, estando la función **FLEXIPOWER** desactivada
- Cuando el conmutador pasa a la posición inferior (**MERGE**) los dos canales quedan enlazados y sus potencias individuales sumadas:
 - Las dos salidas de la pareja de canales quedan conectadas en paralelo, así como las líneas de altavoces que alimentan
 - Se ilumina el indicador LED **MERGE** (6, 11, 16) del panel frontal ubicado entre la pareja de canales en cuestión
 - El contenido de audio de la pareja de canales pasa a ser el de la fuente sonora conectada a la entrada del canal de numeración inferior (entrada 1 para pareja 1&2, entrada 2 para pareja 2&3, entrada 3 para pareja 3&4)
 - El control de volumen frontal y el remoto (si se emplease) efectivo sobre la pareja pasa a ser el del canal de numeración inferior (controles canal 1 para pareja 1&2, controles canal 2 para pareja 2&3, controles canal 3 para pareja 3&4)

Es posible enlazar 2, 3 o 4 canales adyacentes (doble, triple o cuádruple potencia resultante), quedando la disposición de fuentes sonoras y controles de volumen de la siguiente forma:

FLEXIPOWER inputs routing and associated volume controls							
	MERGED CHANNELS						
	Independent	1 & 2	2 & 3	3 & 4	1 & 2 & 3	2 & 3 & 4	1 & 2 & 3 & 4
CHANNEL 1	IN 1	IN1	IN1	IN1	IN1	IN1	IN1
CHANNEL 2	IN 2		IN2	IN2			
CHANNEL 3	IN 3	IN3	IN3	IN3	IN4	IN2	IN1
CHANNEL 4	IN 4	IN4					

3.5. Conmutadores internos para filtros paso-altos

En el interior del amplificador existen 4 puentes (“jumpers”) para activar / desactivar la función de filtro paso-altos de cada canal del amplificador, con frecuencia de corte fijada en 70 Hz y con pendiente de 18 dB / octava. El filtro paso-altos es aconsejable que actúe en determinadas aplicaciones sobre línea de 100 V, en especial cuando el contenido sonoro a reproducir es principalmente vocal (avisos de megafonía, por ejemplo).

Consulte el **DIAGRAMA DE CONFIGURACIÓN** para más información.

3.6. Puertos de control remoto de atenuación

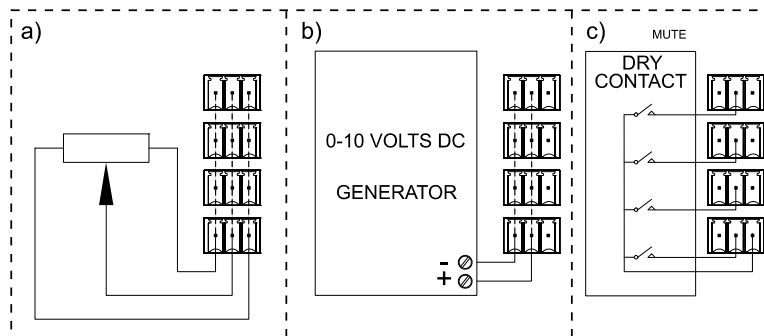
El HZA4-120F dispone, en su panel posterior, de 4 puertos de control remoto rotulados como “**REMOTE CONTROL**” (35, 36, 37, 38). Es posible conectar a cada uno de estos puertos de control un panel de la serie Wpm, REVO, etc. de manera que éste actúe atenuando la señal de entrada (y por lo tanto, el volumen de salida de los canales afectados) de forma remota.

El nivel máximo de señal de cada canal de amplificación, y por lo tanto su volumen de salida, se emplee o no en él la atenuación remota, lo determina la posición de su control rotativo frontal (21, 22, 23, 24).

3.7. Conexión de los puertos *REMOTE CONTROL*

El nivel de atenuación remota de la señal para cada uno de los canales de entrada puede ser fijado mediante el empleo de 3 tipos de dispositivos externos, conectados a los puertos *REMOTE CONTROL* del panel posterior:

- Un potenciómetro, de valor nominal comprendido entre 10 kΩ y 50 kΩ, serie WPM o equivalente
- Un dispositivo generador de señal de control 0-10 V DC
- Un relé / contacto seco remoto



NOTA: Puede conectar un máximo de 16 puertos *REMOTE CONTROL* en paralelo a un mismo potenciómetro físico de control. Es imprescindible que todas las masas de los amplificadores a los que pertenecen dichos puertos estén unidas.

Los cables de conexión pueden ser de hasta 500 metros aproximadamente, utilizando una sección mínima de 0,5 mm².

Consulte a su distribuidor ECLER o bien en www.ecler.com acerca de los accesorios disponibles para la conexión a puertos remotos.

4. FUNCIONAMIENTO

4.1. Puesta en marcha

Esta se realizará mediante el interruptor de red *POWER ON* (25) e inmediatamente se iluminará el piloto integrado en el propio interruptor.

En una instalación completa de audio es importante poner en marcha el equipo de acuerdo con la siguiente secuencia: fuentes de sonido, mezclador, ecualizadores, filtros activos, procesadores y finalmente los amplificadores de potencia. Para pararlos, la secuencia debe seguirse a la inversa.

4.2. Indicadores LED del panel frontal

El HZA4-120F equipa los siguientes indicadores LED en su panel frontal:

- Indicador *STBY* (1): se ilumina cuando el amplificador se halla en el estado de reposo (bajo consumo), tras haber detectado ausencia de señal en sus entradas durante un período aproximado de 2 minutos. Al detectar de nuevo señal de entrada, el amplificador regresa automáticamente al régimen normal de trabajo.
- Indicadores de presencia de señal *SP* (2, 7, 12, 17): advierten de la presencia de señal en las entradas del amplificador. Estos indicadores se iluminan cuando la señal presente en la entrada supera los -35 dB.
- Indicadores de sobrecarga, *OVL* (3, 8, 13, 18): se iluminan cuando el canal llega a su límite de capacidad de entrega de corriente, debido a una carga con impedancia excesivamente baja.
- Indicadores *CLIP* (4, 9, 14, 19): se iluminan cuando la señal entregada a los altavoces se encuentra cercana al nivel de recorte real. Este sistema de *CLIP* tiene en cuenta las posibles fluctuaciones en la tensión de alimentación, dando siempre una indicación real aunque éstas

existan. Es normal que trabajando a niveles elevados de potencia los indicadores de *CLIP* se iluminen al ritmo de las frecuencias graves, que son las que poseen mayor contenido energético. Debe procurarse que estos indicadores no queden iluminados de una forma permanente por esta razón durante el régimen normal de trabajo del equipo.

- Indicadores de protección térmica, *TH* (5, 10, 15, 20): indican que el canal ha entrado en estado de protección por exceso de temperatura, restableciendo su funcionamiento normal cuando su temperatura regrese al margen de temperatura de trabajo considerado correcto.
- Indicadores *MERGE*: indican si la función de enlace ***FLEXIPOWER*** entre dos canales adyacentes se encuentra o no activada mediante los conmutadores del panel posterior.

4.3. Controles de volumen del panel frontal

El panel frontal integra 4 controles rotatorios de volumen, uno por canal, que permiten el ajuste del nivel máximo de salida de cada uno de los canales del amplificador de manera independiente.

Los puertos de control remoto también permiten un ajuste del volumen de cada canal del amplificador desde un panel serie WPM, un potenciómetro u otro dispositivo físico externo, siendo el volumen efectivo de cada canal el resultado de la posición de ambos controles de volumen (frontal y remoto).

En el embalaje del aparato encontrará una bolsa con tapones transparentes insertables sobre los controles rotativos del panel frontal. Su función es proteger los ajustes de atenuación de entrada ante manipulaciones no deseadas tras la puesta en marcha de la instalación. Una vez insertados es necesario utilizar un destornillador plano o herramienta similar para retirarlos.

4.4. Conmutador *AUTO STBY ON / OFF*

Conmutador (39) que activa / desactiva la función auto “stand-by” (modo de reposo o bajo consumo). Si se activa dicha función, el amplificador entrará en el estado de reposo tras haber detectado ausencia de señal en sus entradas durante un período aproximado de 2 minutos. Al detectar de nuevo señal de entrada, el amplificador regresa automáticamente al régimen normal de trabajo

5. LIMPIEZA

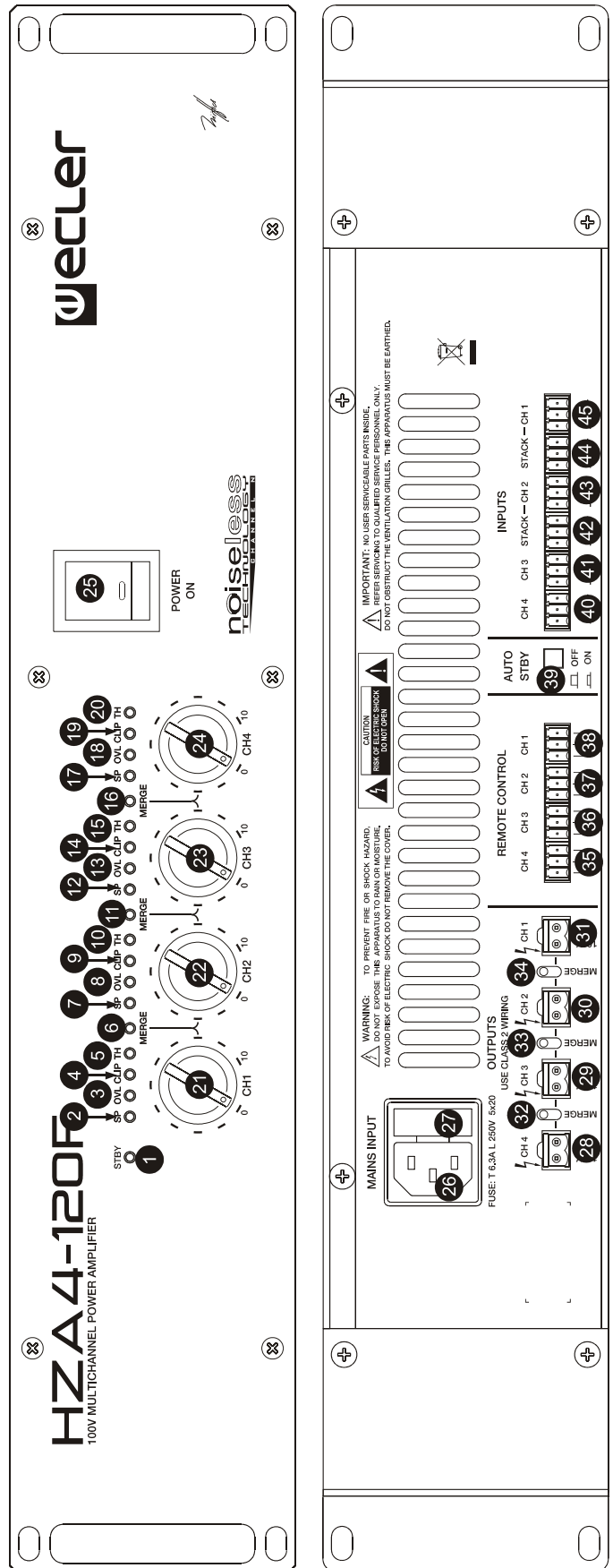
La carátula no deberá limpiarse con sustancias disolventes o abrasivas puesto que se corre el riesgo de deteriorar la serigrafía. Para su limpieza se utilizará un trapo humedecido con agua y un detergente líquido neutro, secándola a continuación con un paño limpio. En ningún caso se debe permitir la entrada de agua por cualquiera de los orificios del aparato.

6. DIAGRAMAS

6.1. Lista de funciones

1. Indicador de apagado automático, STBY
2. Indicador de presencia de señal, SP CH 1
3. Indicador de carga excesiva, OVL CH 1
4. Indicador de recorte, CLIP CH 1
5. Indicador de protección térmica, TH CH 1
6. Indicador de enlace, MERGE 1 & 2
7. Indicador de presencia de señal, SP CH 2
8. Indicador de carga excesiva, OVL CH 2
9. Indicador de recorte, CLIP CH 2
10. Indicador de protección térmica, TH CH 2
11. Indicador de enlace, MERGE 2 & 3
12. Indicador de presencia de señal, SP CH 3
13. Indicador de carga excesiva, OVL CH 3
14. Indicador de recorte, CLIP CH 3
15. Indicador de protección térmica, TH CH 3
16. Indicador de enlace, MERGE 3 & 4
17. Indicador de presencia de señal, SP CH 4
18. Indicador de carga excesiva, OVL CH 4
19. Indicador de recorte, CLIP CH 4
20. Indicador de protección térmica, TH CH 4
21. Volumen, CH 1
22. Volumen, CH 2
23. Volumen, CH 3
24. Volumen, CH 4
25. Interruptor y piloto de puesta en marcha, POWER
26. Base de red
27. Portafusibles
28. Terminales atornillables salida 4, CH 4
29. Terminales atornillables salida 3, CH 3
30. Terminales atornillables salida 2, CH 2
31. Terminales atornillables salida 1, CH 1
32. Conmutador de enlace, MERGE 3 & 4
33. Conmutador de enlace, MERGE 2 & 3
34. Conmutador de enlace, MERGE 1 & 2
35. Terminales atornillables control remoto, CH 4
36. Terminales atornillables control remoto, CH 3
37. Terminales atornillables control remoto, CH 2
38. Terminales atornillables control remoto, CH 1
39. Selector modo reposo, AUTO STBY
40. Terminales atornillables de entrada 4, CH 4
41. Terminales atornillables de entrada 3, CH 3
42. Terminales atornillables para la conexión en cadena, STACK CH 2
43. Terminales atornillables de entrada 2, CH 2
44. Terminales atornillables para la conexión en cadena, STACK CH 1
45. Terminales atornillables de entrada 1, CH 1

6.2. Diagrama de funciones



Explication des symboles graphiques

FR



Le symbole d'éclair avec une flèche, à l'intérieur d'un triangle équilatéral, avertit l'utilisateur de la présence de « tension dangereuse », non isolée, à l'intérieur de l'enceinte du produit, assez importante pour constituer un risque d'électrocution des personnes.



Le point d'exclamation dans un triangle équilatéral avertit l'utilisateur de l'existence d'importantes instructions d'opération et de maintenance (entretien courant) dans les documents qui accompagnent l'appareil.



Les éclairs imprimés près des bornes de SORTIE de l'amplificateur avertissent l'utilisateur du risque d'énergie dangereuse. Les connecteurs de sortie qui pourraient constituer un risque sont marqués d'un éclair. Ne touchez pas les bornes de sortie lorsque l'amplificateur est en marche. Réalisez toutes les connexions lorsque l'amplificateur est éteint.

AVERTISSEMENT : Afin d'éviter tout incendie ou électrocution, n'exposez pas cet appareil à la pluie ou l'humidité

CONSIGNES DE SÉCURITÉ IMPORTANTES

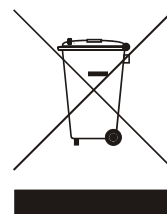
1. Lisez ces instructions.
2. Conservez ces instructions.
3. Prenez en compte tous les avertissements.
4. Suivez toutes les instructions.
5. N'utilisez pas cet appareil près de l'eau.
6. Nettoyez uniquement à l'aide d'un chiffon sec.
7. Ne bloquez pas les ouvertures d'aération. Installez en respectant les instructions du fabricant.
8. Ne l'installez pas près de sources de chaleur telles que des radiateurs, des bouches d'air chaud, des cuisinières ou d'autres appareils (amplificateurs inclus) qui produisent de la chaleur.
9. N'entravez pas la sécurité de la fiche polarisée ou de la prise de mise à la terre. Une fiche polarisée possède deux lames, dont une est plus large que l'autre. Une prise de mise à la terre possède deux lames, ainsi qu'une broche de masse. La lame large ou la troisième broche sont fournies pour votre sécurité. Si la fiche fournie ne correspond pas à votre prise de courant, consultez un électricien pour le remplacement de l'ancienne prise.
10. Protégez le cordon d'alimentation afin qu'il ne soit ni écrasé ni pincé, en particulier au niveau des fiches, des prises de courant et à l'endroit où ils sortent de l'appareil.
11. N'utilisez que des accessoires recommandés par le fabricant.
12. Débranchez l'appareil en cas d'orage ou s'il n'est pas utilisé pendant une longue période.
13. L'entretien courant doit être réalisé par du personnel qualifié. L'entretien courant doit être réalisé lorsque l'appareil a été endommagé, par exemple lorsque le cordon d'alimentation ou la fiche sont endommagés, si du liquide a été renversé ou si des objets sont tombés sur l'appareil, si l'appareil a été exposé à la pluie ou à l'humidité, s'il ne fonctionne pas normalement ou s'il est tombé.
14. Déconnexion du secteur: En appuyant sur l'interrupteur POWER (25), toutes les fonctions et les voyants de l'amplificateur seront mis à l'arrêt, mais la déconnexion totale de l'appareil s'effectue en débranchant le cordon d'alimentation du secteur (26). C'est la raison pour laquelle il doit toujours rester opérationnel.
15. Attention ! Les radiateurs latéraux peuvent avoir des arêtes coupantes.

TABLE DES MATIERES

1. NOTE IMPORTANTE	20
2. INTRODUCTION	20
3. INSTALLATION	21
3.1. Situation et montage	21
3.2. Branchement	21
3.3. Branchement de l'entrée du signal	22
3.4. Branchement de sortie. et interconnexion de voies au moyen de la fonction FLEXIPOWER	22
3.5. Commutateurs internes pour filtres passe-haut	23
3.6. Ports de télécommande d'atténuation	23
3.7. Connexion des ports de télécommande REMOTE CONTROL	23
4. MISE EN MARCHÉ ET UTILISATION. FONCTIONNEMENT	23
4.1. Mise en marche	23
4.2. Témoins LED de la face avant	24
4.3. Réglages de volume de la face avant	24
4.4. Commutateur AUTO STBY ON/OFF	24
5. ENTRETIEN	24
6. SCHÉMAS	25
6.1. Liste de fonctions	25
6.2. Schéma de fonctionnement	25
6.3. Caractéristiques techniques	34
6.4. Schéma de configuration	35
6.5. Diagramme de blocs	35

FR

Toutes les valeurs mentionnées dans ce document sont susceptibles d'être modifiées en raison des tolérances de production. ECLER SA se réserve le droit de changer ou d'améliorer les processus de fabrication ou la présentation de ses produits, occasionnant ainsi des modifications dans les spécifications techniques.



1. NOTE IMPORTANTE

Félicitations ! Vous avez en votre possession le résultat d'un design et d'une fabrication particulièrement soignée. Nous vous remercions de la confiance que vous nous portez en choisissant notre amplificateur HZA4-120F.

Pour obtenir le meilleur résultat de cet appareil, il est important de lire attentivement les instructions ci-dessous avant de le brancher.

Pour obtenir le meilleur rendement de cet appareil, il est important que l'entretien soit réalisé par notre Service Technique.

2. INTRODUCTION

Le HZA4-120F est un amplificateur de puissance quatre canaux avec sorties amplifiées directement en haute impédance (ligne 100 V). Ses principales caractéristiques sont :

- Structure interne à quatre amplificateurs mono séparés, pour 4 signaux d'entrée mono différents.
- Technologie **FLEXIPOWER** qui permet de connecter 2, 3 ou 4 voies adjacentes entre elles en additionnant leur puissance individuelle, le tout fonctionnant comme une seule voie d'amplification dont la puissance totale est équivalente à cette somme.
- Réglage de volume indépendant (par canal) grâce à des commandes en face avant
- Commande à distance et indépendante (par canal) du volume par CC 0-10 V, via les borniers à vis de la face arrière.
- Technologie *SPM 100 Technology - Channel N* d'amplification directe en haute impédance (ligne 100 V) sans transformateurs de sortie, ce qui a les avantages suivants par rapport à l'amplification classique en ligne 100 V utilisant des transformateurs :
 - Meilleure réponse en fréquence dans la bande basse du spectre audible (fréquences basses ou graves) en l'absence de la dégradation habituelle de cette partie du spectre par la saturation du noyau des transformateurs.
 - Haut rendement.
 - Poids réduit.
- Refroidissement par convection, sans ventilateur, qui a pour avantages :
 - Bruit de fond inexistant.
 - Fiabilité accrue.
- Fonction "auto stand-by" : l'amplificateur passe automatiquement en mode veille (basse consommation) si aucun signal d'entrée n'est détecté durant une période d'environ deux minutes, puis revient immédiatement en service normal quand un signal est de nouveau détecté.
- Protection thermique.
- Protection contre les surcharges.
- Système "anticlip" (anti-écrêtage) ou anti-saturation par signal excessif.

3. INSTALLATION

3.1. Situation et montage

L'amplificateur est présenté en rack 19" de deux unités de hauteur. Pour éviter de marquer les oreilles de l'amplificateur lors de la mise en rack, des rondelles en plastique sont fournies avec l'amplificateur.

FR

Il est très important que, produisant de la chaleur, l'amplificateur ne soit pas complètement enfermé ni exposé à des températures extrêmes. **Il est également nécessaire de favoriser le passage d'air frais à travers les orifices de ventilation du châssis, en laissant au moins une unité de rack libre entre chaque appareil et ceux installés au dessus et en dessous de lui dans le rack.**

Si l'installation comprend plusieurs amplificateurs dans le même rack ou se fait dans une armoire fermée par des portes, il est fortement conseillé de doter ceux-ci d'une ventilation forcée ascendante, en installant des ventilateurs à leurs extrémités supérieure et inférieure. Ce flux ascendant de ventilation favorisera la dissipation de la chaleur produite à l'intérieur.

Dans le but de favoriser au mieux la dissipation thermique correcte des équipements installés dans des armoires racks, il est conseillé de ne pas placer les amplificateurs de puissance sous d'autres appareils, mais au-dessus de ceux-ci.

3.2. Branchement

Le amplificateur HZA4-120F fonctionnent sur courant alternatif, selon le pays, de 110-120, 220-240V 47-63Hz. (voir la plaque de caractéristiques à l'appareil).

L'amplificateur de puissance doit être raccordé à la terre dans les conditions suivantes: Résistance de Terre, $R_g=30\Omega$ ou moins. L'atmosphère dans laquelle doit fonctionner l'amplificateur doit être sèche et exempte de poussière. Évitez l'humidité et tout contact de liquide avec l'appareil. Ne mettez aucun objet compromettant (liquide, bougies...) au dessus de l'appareil. Laissez de l'espace devant les orifices de ventilation.

Débrancher l'alimentation avant d'intervenir d'une façon ou d'une autre sur l'amplificateur. Quant à l'intérieur de l'amplificateur, il n'y a aucun élément à manipuler pour l'utilisateur.

Éviter de mêler les cordons secteur et les cordons audio, ceci peut provoquer des ronflements.

Le MPA R est protégé contre les surcharges de courant par un fusible. Si celui-ci venait à fondre, débrancher l'appareil et changer le fusible par un autre de même valeur. En cas de fontes successives du fusible, veuillez prendre contact avec notre Service Technique.



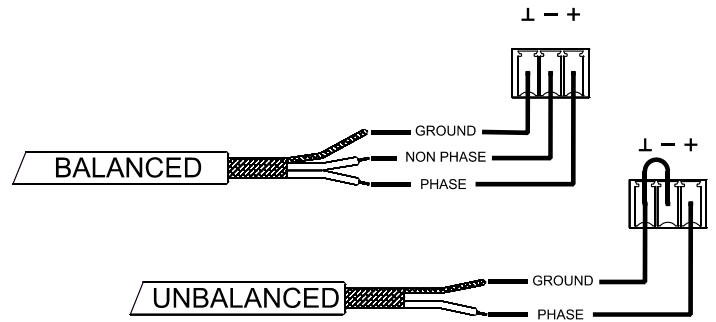
ATTENTION: NE JAMAIS LE REMPLACER PAR UN FUSIBLE DE VALEUR SUPÉRIEURE.

3.3. Branchement de l'entrée du signal

L'amplificateur HZA4-120F offre en face arrière 4 entrées analogiques de signal, symétriques et de niveau ligne (une par canal d'amplification).

Les connecteurs d'entrée du signal sont de type borniers vissables à trois contacts (40, 41, 43, 45). L'assignation du câblage est la suivante :

- Point Chaud ou signal direct > Terminal +
- Point Froid ou signal inversé > Terminal -
- Masse > Terminal ⊥



Pour les branchements asymétriques relier le point - à la masse.

Les sorties *STACK* (42, 44), disponibles pour les entrées 1 et 2, sont parallèles aux entrées et servent à renvoyer le signal reçu sur ces entrées (*INPUTS*, *CH1 / CH2*) à d'autres canaux d'entrée, amplificateurs ou sonorisations.

L'impédance d'entrée est de 20 kΩ (symétrique) avec une sensibilité nominale de 0dBV(1V). Cette impédance permet de brancher un grand nombre d'amplificateurs en parallèle sans toutefois altérer la qualité sonore.

3.4. Branchement de sortie et interconnexion de voies au moyen de la fonction *FLEXIPOWER*

La section *OUTPUTS* de la face arrière est pourvue de borniers vissables à deux contacts (35, 36, 37, 38) pour chaque canal d'amplification. Respectez toujours la polarité relative des sorties (marquages 0 et 100 sur chaque connecteur de sortie), du câblage et des enceintes.

Fonctionnement de la fonction *FLEXIPOWER* : un commutateur appelé *MERGE* se trouve entre chaque couple de connecteurs de sortie :

- Lorsque ce commutateur se trouve dans sa position supérieure, le couple de voies se comporte de manière indépendante, la fonction *FLEXIPOWER* étant désactivée.
- Lorsque le commutateur passe dans sa position inférieure (*MERGE*), les deux voies sont connectées entre elles et leur puissance individuelle s'additionne :
 - Les deux sorties du couple de voies sont raccordées en parallèle, tout comme les lignes des haut-parleurs qu'elles alimentent.
 - La diode *MERGE* (6, 11, 16) de la façade située entre le couple de voies en question s'allume.
 - Le contenu audio du couple de voies devient celui de la source sonore connectée à l'entrée de la voie de numérotation inférieure (entrée 1 pour le couple 1-2, entrée 2 pour le couple 2-3 et entrée 3 pour le couple 3-4).
 - La commande du volume frontal et la commande à distance (si celle-ci est utilisée) réelle sur le couple devient celle de la voie de numérotation inférieure (commandes de la voie 1 pour le couple 1-2, commandes de la voie 2 pour le couple 2-3 et commandes de la voie 3 pour le couple 3-4).

Il est possible de connecter 2, 3 ou 4 voies adjacentes entre elles (double, triple ou quadruple puissance résultante), l'agencement des sources sonores et des commandes de volume se présentant de la manière suivante :

FLEXIPOWER inputs routing and associated volume controls							
	MERGED CHANNELS						
	Independent	1 & 2	2 & 3	3 & 4	1 & 2 & 3	2 & 3 & 4	1 & 2 & 3 & 4
CHANNEL 1	IN 1	IN1	IN1	IN1	IN1	IN1	IN1
CHANNEL 2	IN 2		IN2	IN2			
CHANNEL 3	IN 3	IN3	IN3	IN3	IN4	IN2	IN1
CHANNEL 4	IN 4	IN4				IN4	

3.5. Commutateurs internes pour filtres passe-haut

A l'intérieur de l'amplificateur, il y a quatre cavaliers pour activer/désactiver le filtre passe-haut de chaque canal, avec une fréquence de coupure fixée à 70 Hz et une pente de 18 dB/octave. Le filtre passe-haut est conseillé dans certaines applications en ligne 100 V, en particulier lorsque le contenu audio diffusé est essentiellement vocal (messages d'annonces au public, par exemple).

Voir le *SCHÉMA DE CONFIGURATION* pour plus d'informations.

3.6. Ports de télécommande d'atténuation

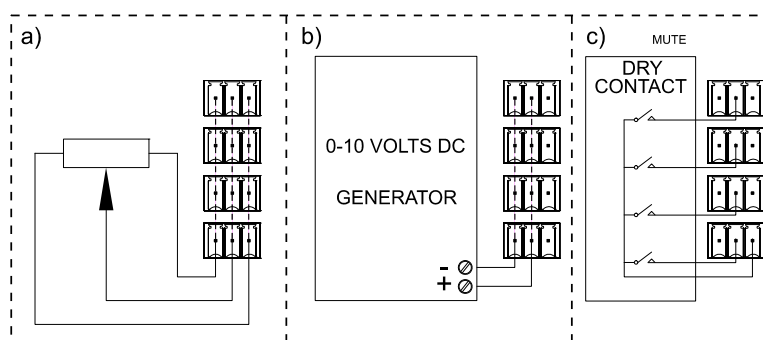
Le HZA4-120F possède en face arrière 4 ports de télécommande intitulés "REMOTE CONTROL" (35, 36, 37, 38). Vous pouvez connecter à chacun de ces ports un panneau de commande de la série WPm, REVO, etc de sorte qu'il agisse en atténuant à distance le signal d'entrée (et par conséquent, le volume de sortie des canaux affectés).

Le fait que le niveau maximal du signal de chaque canal d'amplification, et donc de sortie, puisse ou non être atteint par l'atténuateur distant dépend de la position de son bouton en face avant (21, 22, 23, 24).

3.7. Connexion des ports de télécommande REMOTE CONTROL

Le niveau d'atténuation à distance du signal pour chaque canal d'entrée peut être réglé à l'aide de 3 types de dispositifs externes branchés aux ports *REMOTE CONTROL* de la face arrière :

- De l'utilisation d'un potentiomètre distant, de valeur nominale comprise entre 10k Ω et 50k Ω , série WPm ou équivalente.
- D'un dispositif générateur d'un signal de contrôle CC 0-10 V.
- D'un relais/contact sec distant.



NOTE : vous pouvez relier un maximum de 16 ports de télécommande *REMOTE CONTROL* en parallèle au même potentiomètre de commande physique. Il est impératif que toutes les masses des amplificateurs appartenant à ces ports soient reliées.

Les câbles de connexion peuvent aller jusqu'à 500m avec une section de 0,5 mm².

Consultez votre distributeur ECLER ou bien www.ecler.com pour connaître les accessoires disponibles.

4. MISE EN MARCHÉ ET UTILISATION. FONCTIONNEMENT

4.1. Mise en marche

Cela se fera grâce à l'interrupteur d'alimentation *POWER ON* (25) et immédiatement le voyant intégré à l'interrupteur s'allumera.

Dans une installation audio, il est important de mettre sous tension les appareils dans le sens suivant: Sources, table de mixage, effets, filtres actifs, processeurs et amplificateurs de puissance. Pour l'extinction, procéder à l'envers en commençant par les amplificateurs.

FR

4.2. Témoins LED de la face avant

Le HZA4-120F est équipé des voyants à LED suivants en face avant :

- Voyant *STBY* (1) : s'allume lorsque l'amplificateur est en veille (basse consommation), après environ deux minutes sans avoir détecté aucun signal à ses entrées. Quand un signal d'entrée est de nouveau détecté, l'amplificateur revient automatiquement aux conditions normales de fonctionnement.
- Voyants de présence de signal *SP* (2, 7, 12, 17) : avertissent de la présence d'un signal aux entrées de l'amplificateur. Ils s'allument lorsque le signal présent à l'entrée dépasse -35 dB.
- Voyants de surcharge, *OVL* (3, 8, 13, 18) : s'allument lorsque le canal atteint sa capacité de puissance maximale, en raison d'une impédance de charge trop faible.
- Voyants *CLIP* (4, 9, 14, 19) : s'allument lorsque le signal de sortie pour les haut-parleurs est proche du niveau réel d'écrtage. Le système d'allumage de *CLIP* tient compte des fluctuations possibles dans la tension d'alimentation s'il y en a, donnant toujours une indication réelle. Il est normal qu'en travaillant à des niveaux de puissance élevés, les voyants *CLIP* s'allument au rythme des fréquences basses, qui sont celles ayant le contenu énergétique plus élevé. Assurez-vous que cela n'allume pas les voyants de façon permanente durant le fonctionnement normal de l'appareil.
- Voyants de protection thermique, *TH* (5, 10, 15, 20) : indiquent que le canal est entré dans un mode de protection contre la surchauffe, son fonctionnement normal reprenant lorsque la température revient dans la plage de température de travail considérée comme correcte.
- Indicateurs *MERGE* : ils indiquent si la fonction d'interconnexion **FLEXIPOWER** entre deux voies adjacentes est activée ou non au moyen des commutateurs du panneau arrière.

4.3. Réglages de volume de la face avant

La face avant comprend quatre boutons de volume, un par canal, permettant le réglage indépendant du niveau de sortie maximum pour chaque canal de l'amplificateur.

Les ports de télécommande permettent également le réglage du volume de chaque canal de l'amplificateur depuis un panneau de commande de la gamme WPm, un potentiomètre ou autre périphérique externe, le volume réel de chaque canal étant le résultat de la position des deux commandes de volume (face avant et télécommande).

Dans l'emballage de l'appareil, vous trouverez un sac avec des bouchons transparents à insérer sur les boutons du panneau avant. Leur fonction est de protéger les réglages d'atténuation d'entrée de manipulations indésirables après la mise en service de l'installation. Une fois insérés, vous devrez utiliser un tournevis à tête plate ou un outil similaire pour les retirer.

4.4. Commutateur *AUTO STBY ON/OFF*

Commutateur (39) qui active/désactive la fonction de mise en veille automatique (mode "standby" ou de basse consommation). Si cette fonction est activée, l'amplificateur entre en veille après environ 2 minutes sans signal détecté à ses entrées. Quand un signal d'entrée est de nouveau détecté, l'amplificateur revient automatiquement aux conditions normales de fonctionnement.

5. ENTRETIEN

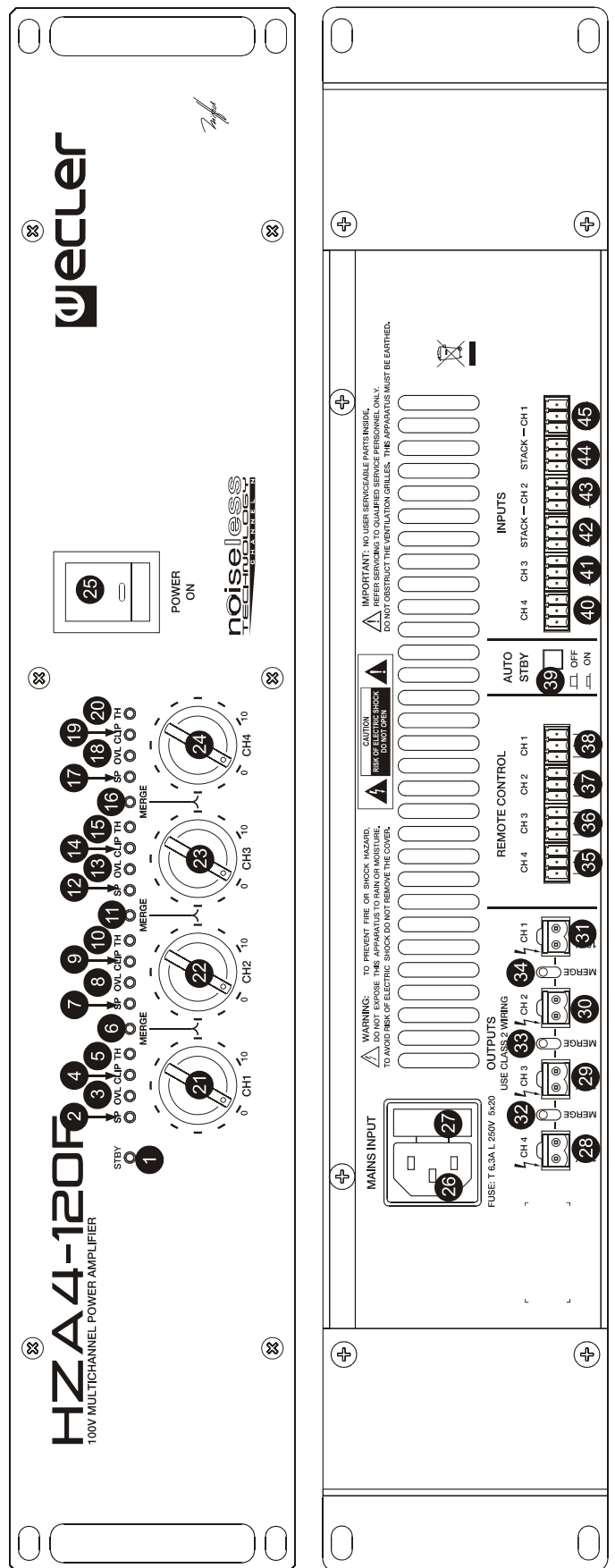
Il est interdit d'utiliser des substances dissolvantes ou abrasives pour nettoyer la face avant, celles-ci détériorant la sérigraphie. Nettoyer uniquement avec un chiffon humide. Attention! Jamais de l'eau ou tout autre liquide ne doit pénétrer par les orifices du panneau de commande.

6. SCHÉMAS

6.1. Liste de fonctions

1. Témoin d'extinction automatique, STBY
2. Indicateur de présence du signal, SP CH 1
3. Voyant de surcharge, OVL CH 1
4. Indicateur de clip, CLIP CH 1
5. Indicateur de protection thermique, TH CH 1
6. Indicateur de liaison, MERGE 1 & 2
7. Indicateur de présence du signal, SP CH 2
8. Voyant de surcharge, OVL CH 2
9. Indicateur de clip, CLIP CH 2
10. Indicateur de protection thermique, TH CH 2
11. Indicateur de liaison, MERGE 2 & 3
12. Indicateur de présence du signal, SP CH 3
13. Voyant de surcharge, OVL CH 3
14. Indicateur de clip canal 3, CLIP CH 3
15. Indicateur de protection thermique, TH CH 3
16. Indicateur de liaison, MERGE 3 & 4
17. Indicateur de présence du signal, SP CH 4
18. Voyant de surcharge, OVL CH 4
19. Indicateur de clip, CLIP CH 4
20. Indicateur de protection thermique, TH CH 4
21. Volume, CH 1
22. Volume, CH 2
23. Volume, CH 3
24. Volume, CH 4
25. Interrupteur de courant allumé, POWER
26. Embase secteur
27. Porte fusibles
28. Bornier dévissable de sortie 4, CH 4
29. Bornier dévissable de sortie 3, CH 3
30. Bornier dévissable de sortie 2, CH 2
31. Bornier dévissable de sortie 1, CH 1
32. Commutateur de liaison, MERGE 3 & 4
33. Commutateur de liaison, MERGE 2 & 3
34. Commutateur de liaison, MERGE 1 & 2
35. Borniers vissables de télécommande, CH 4
36. Borniers vissables de télécommande, CH 3
37. Borniers vissables de télécommande, CH 2
38. Borniers vissables de télécommande, CH 1
39. Sélecteur de mode de veille, AUTO STBY
40. Bornier dévissable d'entrée 4, CH 4
41. Bornier dévissable d'entrée 3, CH 3
42. Bornier dévissable pour autres amplis, STACK CH 2
43. Bornier dévissable d'entrée 2, CH 2
44. Bornier dévissable pour autres amplis, STACK CH 1
45. Bornier dévissable d'entrée 1, CH 1

6.2. Schéma de fonctionnement



Erklärung der grafischen Darstellungen



Das Blitzsymbol mit dem Pfeil innerhalb eines gleichseitigen Dreiecks soll den Benutzer vor nicht isolierter „gefährlicher Spannung“ innerhalb des Produktgehäuses warnen, die hoch genug ist, um einem Menschen einen elektrischen Schlag zu versetzen.

DE



Das Ausrufezeichen innerhalb eines gleichseitigen Dreiecks soll den Benutzer darauf hinweisen, dass mit dem Gerät wichtige Gebrauchs- und Wartungs-(Service-)anleitungen in dieser Gebrauchsanweisung geliefert wurden.



Die Blitzsymbole neben den AUSGÄNGEN des Verstärkers sollen den Benutzer auf Risiken durch gefährliche Energie aufmerksam machen. Ausgangsanschlüsse, die ein Risiko darstellen könnten, sind mit dem Blitzsymbol markiert. Ausgänge nicht bei eingeschaltetem Verstärker berühren. Nehmen Sie Anschlüsse nur bei ausgeschaltetem Gerät vor.

WARNUNG: Wegen Feuer- und Stromschlaggefahr, das Gerät niemals Regen oder Feuchtigkeit aussetzen.

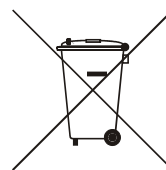
WICHTIGE SICHERHEITSHINWEISE

1. Lesen Sie diese Anweisung durch.
2. Bewahren Sie diese Anweisung gut auf.
3. Beachten Sie alle Warnhinweise.
4. Befolgen Sie alle Anweisungen.
5. Benutzen Sie das Gerät nicht in der Nähe von Wasser.
6. Reinigen Sie es nur mit einem trockenem Tuch.
7. Blockieren Sie keine Lüftungsöffnungen. Das Gerät sollte gemäß den Herstellerangaben installiert werden.
8. Stellen Sie das Gerät nicht in der Nähe von Wärmequellen wie Heizkörpern, Radiatoren, Öfen oder anderen Geräten (einschließlich Verstärkern), die Wärme erzeugen, auf.
9. Annullieren Sie nicht den Sicherheitsmechanismus des gepolten oder geerdeten Steckers. Ein gepolter Stecker hat zwei Stifte, wobei einer davon breiter ist. Ein geerdeter Stecker hat zwei Stifte und einen dritten Erdungsstift. Der breite bzw. dritte Stift dient Ihrer Sicherheit. Wenn der mitgelieferte Stecker nicht in Ihre Steckdose passt, wenden Sie sich an einen Elektriker, um die veraltete Steckdose auszutauschen.
10. Sorgen Sie dafür, dass niemand auf das Netzkabel tritt und dass es nicht gequetscht wird, insbesondere an Steckern, Steckerbuchsen und an der Stelle, an dem es aus dem Gerät kommt.
11. Verwenden Sie nur die vom Hersteller angegebenen Zusatzgeräte/Zubehörteile.
12. Ziehen Sie bei einem Gewitter oder wenn das Gerät längere Zeit nicht verwendet wird den Netzstecker.
13. Alle Servicearbeiten sind von qualifiziertem Fachpersonal durchzuführen. Servicearbeiten sind notwendig, wenn das Gerät in jeglicher Art beschädigt wurde, z. B. wenn das Netzkabel oder der Netzstecker beschädigt ist, wenn Flüssigkeiten über das Gerät geschüttet wurde oder Gegenstände hineingefallen sind, es Regen oder Feuchtigkeit ausgesetzt wurde, nicht normal funktioniert oder heruntergefallen ist.
14. Vom Stromnetz trennen: Durch Ausschalten des POWER-Schalters (25) werden alle Funktionen gestoppt und die Anzeigen des Verstärkers erlöschen. Das Gerät wird aber nur durch Ziehen des Netzsteckers (26) vollständig vom Stromnetz getrennt. Deshalb müssen Netzstecker und Steckdose leicht zugänglich sein.
15. Vorsicht! Die seitlichen Kühlgehäuse können scharfe Kanten haben.

INHALTSVERZEICHNIS

1. WICHTIGE VORBEMERKUNG	28
2. EINFÜHRUNG	28
3. INSTALLATION	29
3.1. Aufstellungsort und Montage	29
3.2. Anschluss an das Netz	29
3.3. Anschluß der Signaleingänge	29
3.4. Ausgangsanschlüsse und Brücken von Kanälen mithilfe der Funktion FLEXIPOWER	30
3.5. Interne Umschalter für Hochpassfilter	30
3.6. Fernsteueranschlüsse für den Dämpfungspegel	31
3.7. Anschluss der REMOTE-CONTROL -Eingänge	31
4. BEDIENUNG	31
4.1. Inbetriebnahme	31
4.2. LED-Anzeigen an der Vorderseite	31
4.3. Lautstärkeregler an der Frontplatte	32
4.4. Umschalter AUTO STBY ON / OFF	32
5. REINIGUNG	32
6. DIAGRAMME	33
6.1. Funktionsliste	33
6.2. Funktionsdiagramm	33
6.3. Technische Daten	34
6.4. Konfiguration Diagramm	35
6.5. Blockschaltbild	35

DE



Alle Angaben sind ohne Gewähr. Messwerte können produktionsbedingten Schwankungen unterliegen. ECLER S.A. nimmt sich das Recht heraus Veränderungen am Gerät vorzunehmen, die zur Verbesserung des Produktes beitragen.

1. WICHTIGE VORBEMERKUNG

Herzlichen Glückwunsch! Sie besitzen hiermit ein hochwertiges Gerät als Ergebnis eines großen Entwicklungsaufwandes und sorgfältiger Fertigungsplanung. Wir bedanken uns für Ihr Vertrauen, einen ECLER HZA4-120F gewählt zu haben.

DE

Bitte lesen Sie alle Erläuterungen in dieser Bedienungsanleitung sorgfältig durch, bevor Sie das Gerät anschließen, um eine optimale Funktionalität und Leistung sicherzustellen.

Eventuelle Reparaturen sollten nur von unserer technischen Service-Abteilung vorgenommen werden, um einen zuverlässigen Betrieb sicherzustellen.

2. EINFÜHRUNG

Der HZA4-120F ist ein Vierkanal-Leistungsverstärker, dessen Ausgänge für den Betrieb an hoher Impedanz ausgerüstet sind (100V Linie). Seine wichtigsten Merkmale sind:

- Innenstruktur mit 4 unabhängigen Monoverstärkern für 4 unterschiedliche Mono-Eingangssignale
- Die **FLEXIPOWER**-Technologie ermöglicht es, 2, 3 oder 4 angrenzende Kanäle zu brücken und ihre jeweiligen Leistungen zu addieren. Somit arbeiten sie als ein einziger Verstärkerkanal mit einer Gesamtleistung, die sich aus der Summe der Einzelleistungen ergibt
- Unabhängige Pegeleinstellung (pro Kanal) über Bedienelemente an der Frontplatte
- Unabhängige Pegeleinstellung per Fernbedienung 0 – 10 VDC (pro Kanal), Zugang über schraubbare Anschlüsse an der Rückseite
- *SPM 100 Technology – Channel N* für Direktverstärkung an hoher Impedanz (100V Linie), ohne Ausgangstransformatoren. Diese Technologie bietet gegenüber der klassischen Verstärkung für 100V Linie mittels Transformatoren die folgenden zusätzlichen Vorteile:
 - Besserer Frequenzgang im unteren Bereich des hörbaren Tonspektrums (tiefe Frequenzen), da die sonst üblicherweise durch die Übersteuerung des Transformator-kerns entstehende Beeinträchtigung dieses Teils des Tonspektrums wegfällt.
 - Hohe Leistung
 - Geringes Gewicht
- Konvektionslüftung, ohne Ventilatoren, mit folgenden Vorteilen:
 - keinerlei Hintergrundrauschen
 - erhöhte Zuverlässigkeit
- „Auto-Stand-by“-Funktion: Wird ca. 2 Minuten lang kein Eingangssignal festgestellt, so geht der Verstärker automatisch in den Ruhe- oder Energiesparmode. Sobald an den Eingängen erneut ein Signal anliegt, schaltet er wieder in den normalen Betriebszustand zurück.
- Überhitzungsschutz
- Überlastschutz
- „Anticlip“- oder Übersteuerungsschutz für den Fall eines zu starken Signals

3. INSTALLATION

3.1. Aufstellungsort und Montage

Der Verstärker ist im 19" Rackformat konzipiert und ist zwei HE hoch. Es werden für den Einbau in ein Rack Plastikringe mitgeliefert, um das Gerät nicht zu beschädigen.

Da der Verstärker Hitze erzeugt, ist es sehr wichtig, dass er freistehend aufgestellt und keinen extremen Temperaturen ausgesetzt wird. **Es muss für freien Abzug der Luft aus den Lüftungsöffnungen des Gehäuses gesorgt werden, das heisst, unterhalb und oberhalb eines installierten Geräts muss jeweils eine HE des Racks freigelassen werden.**

Hat eine Anlage mehrere Verstärker im gleichen Rack oder ist eine Anlage in einem mit Türen verschlossenen Schrank eingebaut, so wird wärmstens empfohlen, diese mit nach oben abgeführter Zwangsbelüftung auszustatten, d.h., Einbau von Ventilatoren unten und oben. Dieser nach oben fließende Lüftungsstrom begünstigt die Abführung der im Inneren des Racks oder Schanks erzeugten Wärme.

Um so weit wie möglich eine ordnungsgemäße Wärmeverteilung der in Racks eingebauten Geräte zu ermöglichen, ist es ratsam, den Leistungsverstärker nicht unter anderen Geräten einzubauen, sondern darüber.

3.2. Anschluss an das Netz

Die NZA Verstärker können mit Wechselspannungen von 110-120, 220-240V 47-63Hz betrieben werden (siehe Aufkleber auf dem Gerät).

Der Verstärker sollte eine gute Erdungsverbindung besitzen (Erdungswiderstand, $R_g=30\Omega$ oder weniger). Der Arbeitsbereich, in dem das Gerät aufgestellt wird, sollte trocken und möglichst staubfrei sein. Es darf kein Regen oder andere Flüssigkeiten in das Gerät gelangen. Stellen Sie niemals Flüssigkeitbehälter oder flammende Gegenstände wie z.B. Kerzen auf die Gerätoberfläche. Bedecken Sie in keinem Fall die Lüftungsschächte oder verhindern Sie die Frischluftzufuhr. Beim Ab- oder Anschluß von Leitungen ist es sehr wichtig, vorher die Stromversorgung des Verstärkers auszuschalten. Im Inneren der Endstufe befinden sich keine für den Benutzer gedachte Bedienelemente.

Es sollte verhindert werden, das Netzkabel mit den geschirmten, signalführenden Kabeln zu verdrehen, da dies zu Störgeräuschen führen kann.

Um den Verstärker vor eventuellen Stromschwankungen oder momentanen Leistungsspitzen der internen Schaltungen zu schützen.

Sollte sie durchbrennen, muß das Gerät von der Stromversorgung getrennt und die Sicherung gegen eine neue mit identischen Werten ausgetauscht werden. Falls auch diese durchbrennt, wenden Sie sich bitte an unsere technische Service Abteilung.



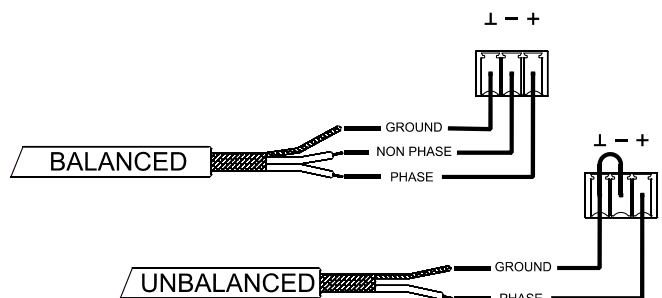
VORSICHT: NIEMALS DARF EINE SICHERUNG MIT HÖHEREM WERT EINGESETZT WERDEN.

3.3. Anschluß der Signaleingänge

Der HZA4-120F-Verstärker hat an seiner Rückseite 4 analoge, symmetrische Signaleingänge mit Linienpegel (einen pro Verstärkungskanal).

Die Signaleingangsanschlüsse sind vom Typ Schraubleiste mit drei Kontakten (40, 41, 43, 45). Diese sind wie folgt zugewiesen:

Direktes Signal oder Phase	>	Pin +
Invertiertes Signal oder Gegenphase	>	Pin -
Masse	>	Pin ⊥



Für einen unsymmetrierten Anschluß muß Pin \perp nach Pin - kurzgeschlossen werden.

Die STACK-Ausgänge (42, 44), verfügbar für die Eingänge 1 und 2, sind parallel zu den Eingängen geschaltet und dienen zum Anschluss des an diesen Eingängen anliegenden Signals (INPUTS, CH1 / CH2) an andere Eingangskanäle, Verstärker oder Tonsysteme.

DE

Die Eingangsimpedanz beträgt 20 k Ω (symmetriert) mit einer nominalen Eingangsempfindlichkeit von 0dBV(1V). Diese Eingangsimpedanz ermöglicht eine Parallelschaltung mehrerer Verstärker, ohne die Klangqualität zu beeinflussen.

3.4. Ausgangsanschlüsse und Brücken von Kanälen mithilfe der Funktion FLEXIPOWER

Der Abschnitt *OUTPUTS* an der Rückseite des Geräts ist mit Schraubleisten mit zwei Kontakten (35, 36, 37, 38) für jeden Kanal des Verstärkers versehen. Berücksichtigen Sie bitte immer die relative Polarität der Signale (Zeichen 0 und 100 an jedem Ausgangsstecker), Verkabelungen und Lautsprecher.

Betrieb der Funktion **FLEXIPOWER**: Zwischen jedem Paar Ausgangsanschlüsse befindet sich ein Schalter mit der Aufschrift **MERGE**:

- Zeigt die Position dieses Schalter nach oben, arbeiten die beiden Kanäle unabhängig voneinander, d.h. die Funktion FLEXIPOWER ist ausgeschaltet.
- Wird der Schalter nach unten umgelegt (MERGE), werden die beiden Kanäle gebrückt und ihre jeweiligen Leistungen addiert:
 - Die beiden Ausgänge des Kanalpaars werden parallel geschaltet ebenso wie die daran angeschlossenen Lautsprecherleitungen
 - Die LED-Anzeige **MERGE** (6, 11, 16) auf dem vorderen Bedienfeld leuchtet zwischen dem entsprechenden Kanalpaar auf
 - Der Audioinhalt des Kanalpaars entspricht der Klangquelle, die an den Eingang des Kanales mit der niedrigeren Nummer angeschlossen ist (Eingang 1 für das Paar 1&2, Eingang 2 für das Paar 2&3, Eingang 3 für das Paar 3&4)
 - Der vordere Lautstärkeregler und die Fernbedienung (sofern vorhanden) für das Paar entspricht dem Kanal mit der niedrigeren Nummer (Regler Kanal 1 für das Paar 1&2, Regler Kanal 2 für das Paar 2&3, Regler Kanal 3 für das Paar 3&4)

Der Brückenbetrieb von 2, 3 oder 4 angrenzenden Kanälen (doppelte, dreifache oder vierfache resultierende Leistung) ist mit der folgenden Verteilung von Klangquellen und Lautstärkereglern möglich:

FLEXIPOWER inputs routing and associated volume controls							
	MERGED CHANNELS						
	Independent	1 & 2	2 & 3	3 & 4	1 & 2 & 3	2 & 3 & 4	1 & 2 & 3 & 4
CHANNEL 1	IN 1	IN1	IN1	IN1	IN1	IN1	IN1
CHANNEL 2	IN 2		IN2	IN2			
CHANNEL 3	IN 3	IN3	IN3	IN3	IN4	IN2	IN1
CHANNEL 4	IN 4	IN4					

3.5. Interne Umschalter für Hochpassfilter

Im Inneren des Verstärkers befinden sich 4 Brücken (*Jumper*) zur Aktivierung / Deaktivierung der Hochpassfilterfunktion der einzelnen Kanäle des Verstärkers, für die eine Grenzfrequenz von 70 Hz festgelegt ist sowie eine Neigung von 18 dB / Oktave. Für den Hochpassfilter ist es empfehlenswert, dass er bei bestimmten Anwendungen über 100V Linie arbeitet, vor allem, wenn der wiederzugebende Klinginhalt hauptsächlich vokaler Natur ist (z.B. Ansagen über Lautsprecher).

Für weitere Informationen siehe *KONFIGURATIONSDIAGRAMM*.

3.6. Fernsteueranschlüsse für den Dämpfungspegel

Der HZA4-120F verfügt an seiner Rückseite über 4 Fernsteuer-Anschlüsse, die als „*REMOTE CONTROL*“ beschildert sind (35, 36, 37, 38). An jeden dieser Anschlüsse kann ein Bedienfeld der Serie WPm, REVO usw. angeschlossen werden, welches dann per Fernsteuerung das Eingangssignal dämpft (und somit auch den Ausgangspegel der betroffenen Kanäle).

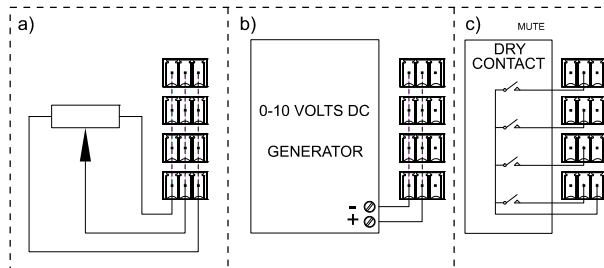
DE

Der Maximalpegel des Signals an jedem Verstärkerkanal und somit der entsprechende Ausgangspegel wird, unabhängig davon, ob an diesem Kanal die ferngesteuerte Dämpfung zur Anwendung kommt oder nicht, bestimmt durch die Position des vorderen Drehreglers (21, 22, 23, 24).

3.7. Anschluss der *REMOTE-CONTROL*-Eingänge

Der Dämpfungsgrad des Signals für jeden der Eingangskanäle kann per Fernsteuerung mit Hilfe von 3 verschiedenen externen Geräten eingestellt werden, die an den *REMOTE-CONTROL*-Anschlüssen an der Rückseite anzuschliessen sind:

- Durch Verwendung eines entfernten Spannungsteilers, dessen Nominalwert sich zwischen 10k Ω und 50k Ω befindet, WPm-Serie oder ähnlich.
- Durch Verwendung eines Geräts, dass eine Kontrollspannung zwischen 0 und 10V DC erzeugen kann.
- Mittels Relais / entfernten potentialfreien Kontakten.



ANMERKUNG: Man kann maximal 16 *REMOTE-CONTROL*-Eingänge parallel an jeweils einen physischen Lautstärkeregel anschliessen. Es ist unbedingt erforderlich, dass die Erdkontakte der Verstärker, zu denen diese Eingänge gehören, miteinander verbunden sind.

Die Anschlusskabel können bis zu 500m lang sein, wenn man einen Durchmesser von 0,5mm² verwendet.

Erkundigen Sie sich bei Ihrem ECLER Händler oder unter www.ecler.com nach der zu Verfügung stehenden Zubehör.

4. BEDIENUNG

4.1. Inbetriebnahme

Dies geschieht mit Hilfe des Netzschalters *POWER ON* (25), worauf sofort die im Schalter integrierte Kontrolllampe aufleuchtet.

In einer kompletten Audio -Installation ist es wichtig, die einzelnen Geräte in folgender Reihenfolge einzuschalten: Signalquellen, Mixer, Equalizer, aktive Filter, Prozessors und schließlich die Endverstärker. Um die Geräte auszuschalten, verfahren Sie in umgekehrter Reihenfolge.

4.2. LED-Anzeigen an der Vorderseite

Der HZA4-120F ist an seiner Frontplatte mit folgenden LED-Anzeigen ausgestattet:

- Anzeige *STBY* (1): Leuchtet auf, wenn der Verstärker, nachdem während ca. 2 Minuten kein anliegendes Signal festgestellt wurde, in den Ruhe- oder Energiesparmode geschaltet hat. Sobald erneut ein Signal anliegt, kehrt der Verstärker automatisch in den normalen Betriebszustand zurück.
- Signal-Präsenz-Anzeigen „*SP*“ (2, 7, 12, 17): Zeigen das Anliegen eines Signals an den Eingängen des Verstärkers an. Diese Anzeigen leuchten auf, wenn das Signal, das am Eingang anliegt, einen Wert von -35 dB überschreitet.
- Überlastanzeigen, *OVL* (3, 8, 13, 18): Leuchten auf, sobald der Kanal aufgrund einer anliegenden Last mit zu niedriger Impedanz an die Grenzen seiner Stromabgabekapazität kommt.
- *CLIP*-Anzeigen (4, 9, 14, 19): Diese leuchten auf, wenn das an die Lautsprecher übergebene Signal kurz vor der Übersteuerung steht. Dieses *CLIP*-System berücksichtigt mögliche Spannungsschwankungen in der Stromversorgung und zeigt selbst im Falle solcher Schwankungen immer den tatsächlichen Wert an. Es ist vollkommen normal, dass bei hoher Leistung die *CLIP*-Anzeiger im Rhythmus der tiefen Frequenzen aufleuchten, da diese Frequenzen am meisten Energie beinhalten. Es ist darauf zu achten, dass die Anzeigen während des Normalbetriebs des Geräts nicht dauernd aus diesem Grund aufleuchten.
- Überhitzungsschutz-Anzeigen, *TH* (5, 10, 15, 20): Zeigen an, dass der Kanal durch überhöhte Temperatur in den Schutzmode geschaltet hat. Sobald der Kanal wieder den für einen einwandfreien Betrieb normalen Temperaturbereich erreicht hat, schaltet er in den normalen Betriebszustand zurück.
- Anzeigen *MERGE*: geben an, ob die Brückenfunktion **FLEXIPOWER** zwischen zwei angrenzenden Kanälen mithilfe der Schalter an der Rückseite ein- oder ausgeschaltet ist.

4.3. Lautstärkereglern an der Frontplatte

An der Frontplatte befinden sich 4 Drehregler zur Einstellung der Lautstärke, einer pro Kanal. Diese erlauben das individuelle Einstellen des maximalen Ausgangspegels eines jeden Kanals des Verstärkers.

Die Fernbedienungs-Anschlüsse erlauben ebenfalls eine Einstellung der Lautstärke der einzelnen Kanäle des Verstärkers, und zwar über ein Bedienfeld der WPM-Reihe, ein Potentiometer oder über ein sonstiges externes physisches Gerät, wobei die tatsächliche Lautstärke eines jeden Kanals durch die Positionen der beiden Lautstärkereglern (Drehregler an der Frontplatte und Fernbedienung) bestimmt wird.

Zusammen mit dem Gerät wird ein Beutel mit durchsichtigen Kappen ausgeliefert, die auf die Drehregler der Frontplatte aufgesetzt werden können. Diese Kappen sollen die Einstellungen der Eingangsdämpfung gegen ungewolltes Verstellen nach Inbetriebnahme der Anlage schützen. Wurden die Kappen einmal aufgesetzt, so benötigt man einen flachen Schraubenzieher oder ein ähnliches Werkzeug, um sie wieder zu entfernen.

4.4. Umschalter AUTO STBY ON / OFF

Umschalter (39) zum Aktivieren / Deaktivieren der Funktion „auto stand-by“ (Ruhe- oder Energiesparmode). Wird diese Funktion aktiviert, so schaltet der Verstärker, nachdem an seinen Eingängen während ca. 2 Minuten kein anliegendes Signal festgestellt wurde, in den Ruhe- oder Energiesparmode. Sobald erneut ein Signal anliegt, kehrt der Verstärker automatisch in den normalen Betriebszustand zurück.

5. REINIGUNG

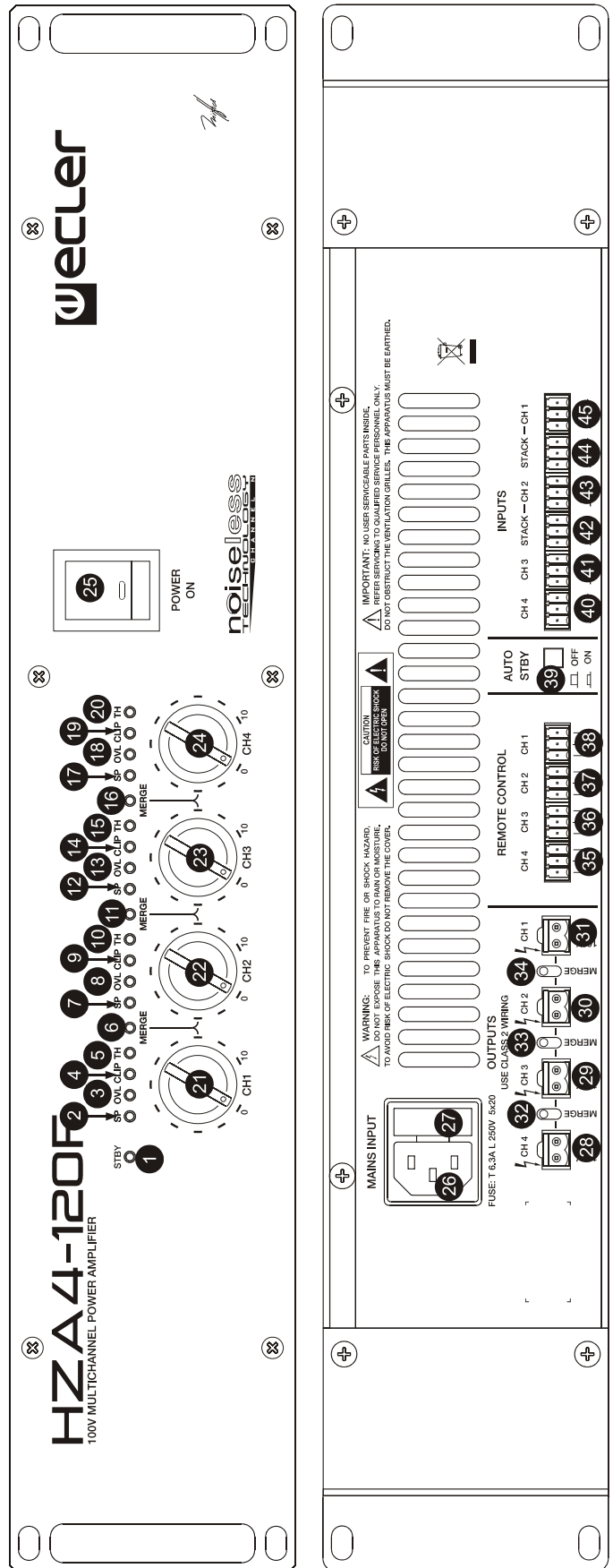
Die Frontplatte darf nicht mit lösungsmittelhaltigen oder scheuernden Substanzen gereinigt werden, da hierbei die Oberfläche beschädigt werden könnte. Verwenden Sie zur Reinigung der Frontplatte ein feuchtes Tuch und etwas milde Seifenlauge. Trocknen Sie danach die Oberfläche sorgfältig ab. Lassen Sie niemals Wasser in die Öffnungen der Frontplatte gelangen.

6. DIAGRAMME

6.1. Funktionsliste

1. Anzeige der automatischen Abschaltung, STBY
2. Anwesenheit des Eingangssignals 1, SP CH 1
3. Überlastanzeige, OVL CH 1
4. CLIP-Anzeige, CLIP CH 1
5. Übertemperaturschutz –Anzeige, TH CH 1
6. Anzeige MERGE 1 & 2
7. Anwesenheit des Eingangssignals 2, SP CH 2
8. Überlastanzeige, OVL CH 2
9. CLIP-Anzeige, CLIP CH 2
10. Übertemperaturschutz –Anzeige, TH CH 2
11. Anzeige MERGE 2 & 3
12. Anwesenheit des Eingangssignals 3, SP CH 3
13. Überlastanzeige, OVL CH 3
14. CLIP-Anzeige, CLIP CH 3
15. Übertemperaturschutz –Anzeige, TH CH 3
16. Anzeige MERGE 3 & 4
17. Anwesenheit des Eingangssignals 4, SP CH 4
18. Überlastanzeige, OVL CH 4
19. CLIP-Anzeige, CLIP CH 4
20. Übertemperaturschutz –Anzeige, TH CH 4
21. Volume, CH 1
22. Volume, CH 2
23. Volume, CH 3
24. Volume, CH 4
25. Netzschalter und Kontrollleuchte, POWER
26. Netzanschlußbuchse
27. Sicherungshalter
28. Schraubklemmen für Ausgang 4, CH 4
29. Schraubklemmen für Ausgang 3, CH 3
30. Schraubklemmen für Ausgang 2, CH 2
31. Schraubklemmen für Ausgang 1, CH 1
32. Schalter MERGE 3 & 4
33. Schalter MERGE 2 & 3
34. Schalter MERGE 1 & 2
35. Verschraubbare Anschlüsse für Fernsteuerung, CH 4
36. Verschraubbare Anschlüsse für Fernsteuerung, CH 3
37. Verschraubbare Anschlüsse für Fernsteuerung, CH 2
38. Verschraubbare Anschlüsse für Fernsteuerung, CH 1
39. Wählschalter Energiesparmode, AUTO STBY
40. Schraubklemmen für Eingang 4, CH 4
41. Schraubklemmen für Eingang 3, CH 3
42. Schraubklemmen Ausgang für Verstärkern, STACK CH 2
43. Schraubklemmen für Eingang 2, CH 2
44. Schraubklemmen Ausgang für Verstärkern, STACK CH 1
45. Schraubklemmen für Eingang 1, CH 1

6.2. Funktionsdiagramm



EN

6.3. Technical characteristics

6.3. Caractéristiques techniques

ES

FR

DE

Output power:

1 Channel
2 Merged Channels
3 Merged Channels
4 Merged Channels

6.3. Características técnicas

6.3. Technische Daten

1% THD	10% THD
114 WRMS @ 88Ω	145 WRMS @ 88Ω
195 WRMS @ 50Ω	226 WRMS @ 50Ω
290 WRMS @ 32Ω	348 WRMS @ 32Ω
356 WRMS @ 26Ω	430 WRMS @ 26Ω

Frequency response (-3dB)

30Hz – 55 kHz

High pass filter 3rd order Butterworth

70Hz

THD + Noise @ 1kHz Full power

<0.03% typ. 0.2% max.

Signal Noise Ratio @ 100V

>90dB

Channel Crosstalk @ 1kHz/100V

>90dB

Inputs:

Sensitivity nom/Impedance
Connectors

0dBV/>20kΩ
Terminal block (Symmetrical)

Outputs:

Connectors

Terminal block

Indicators:

Power
Signal present
Clip
Overload
Thermal
Merge

Green (ON), Red (Standby)
-35dB

Remote control:

DC
No attenuation
Full attenuation
Connectors

0-10V/0.1A max
0V
+10V
Terminal block

Auto power:

Threshold
Time

>-30dB aprox
100 sec. aprox

Mains voltage

Depending on your country. See characteristics in the back of the unit.

Power consumption:

pink noise, 1/8 power
pink noise, 1/3 power
Standby

340VA
470VA
<3W

Dimensions:

Panel
Depth (Handle excluded)

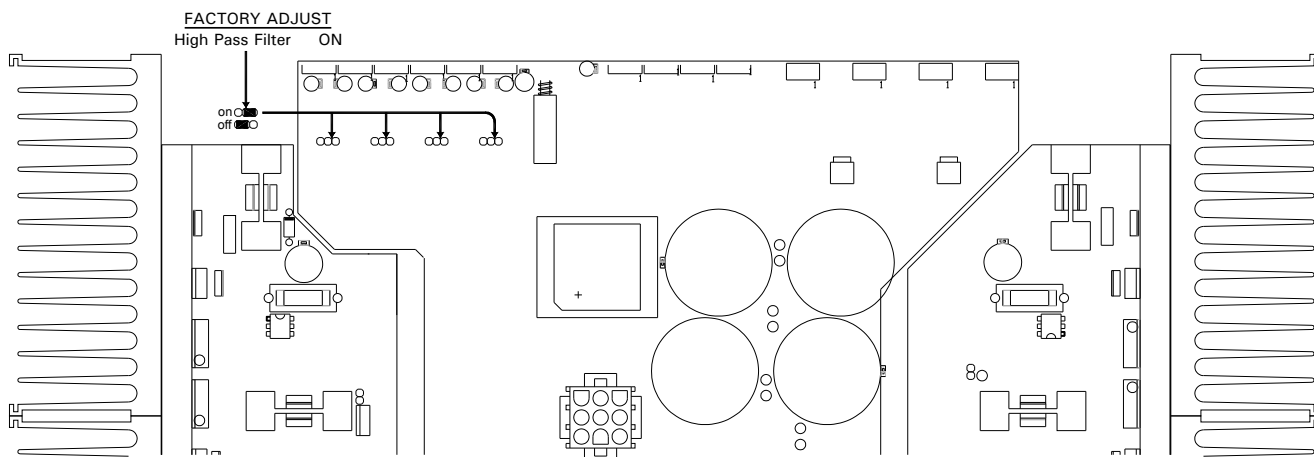
482.6x88mm
392mm

Weight

13.60kg

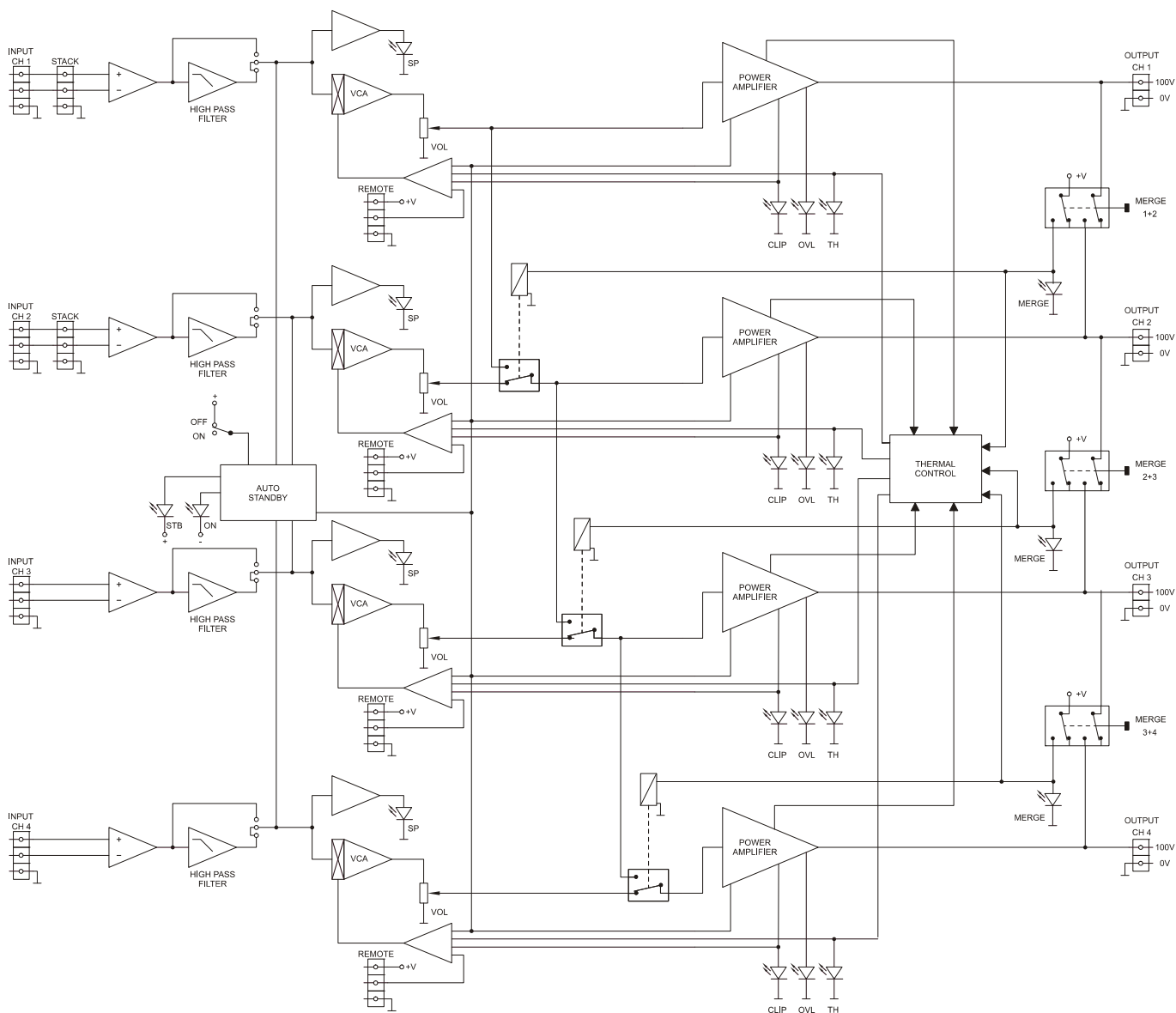
6.4. Configuration diagram
6.4. Schéma de configuration

6.4. Diagrama de configuración
6.4. Konfiguration Diagramm



6.5. Block diagram
6.5. Blocs de diagrammes

6.5. Diagrama de bloques
6.5. Blockschaltbild





50.0241.01.01

ECLER Laboratorio de electro-acústica S.A.
Motors 166-168, 08038 Barcelona, Spain
INTERNET <http://www.ecler.com> e-mail: info@ecler.es