

loudspeaker cabinets

DACORDi series

DACORDT108, DACORDT208i,
DACORDH206i,
DACORDH208i, SB208, SB212

The new DACORDi series is an update to the successful DACORD series based on requests by our clients and an added series of improvements:

- The impedance has been changed from 4 to 8 ohms, which is very important in configurations with a large number of loudspeakers, since it facilitates the task of connecting them in parallel or in parallel-series combinations.
- New look: new, remodelled front grille with interior sound screen and new logo

Key features

- Loudspeaker cabinets in high-quality 15 mm plywood
- Lyre included for ceiling or wall mounting
- 1.5 mm front grille with internal acoustically transparent screen
- Built-in passive filter
- HI/LO high frequency response switch
- Speakon connectors (input and stack) built into carry handle
- Available in black and white
- For extra reinforcement of low tones, we recommend using DACORDSB208 or DACORDSB212.

Applications

- Shops and stores
- Sports centres
- Conference rooms
- Audiovisual presentations
- Corporate halls
- Perimeter support in clubs
- Cafes
- Restaurants
- Theme parks

Accessories

- **TRIP01**: 35mm adjustable tripod for DACORDT208i
- **SR12** wall anchor for DACORDT208i
- **SRDABK/WH** accessory for anchoring in ceilings. Facilitates direction of the sound box. Available in black and white.

Recommended amplification and processing

- MPA-R: multi-channel applications
- DPA series + DSP AMIC or NPA series: stereo applications

Tech. Characteristics

Ways	2	2	2	2	1	1
Nominal impedance	8Ω	8Ω	8Ω	8Ω	4Ω	4Ω
Max RMS power	150W	300W	220W	300W	300W	700W
Program power	300W	600W	440W	600W	600 W	1400W
Efficiency SPL 1W 1m	93dB	91dB	95dB	93dB	93,5 dB	98dB
Max SPL 1m	-	-	-	-	122,5 dB	126dB
Frequency response at -10dB	60Hz±20kHz	55Hz±20kHz	65Hz±20kHz	55Hz±20kHz	40Hz±200 Hz	40Hz ± 300Hz
Filter cut-off frequency (slope -6 & -12 dB/oct)	4,5kHz	4,5kHz	3,5kHz	3,5kHz	-	-
Horizontal dispersion	-	-	90°	90°	-	-
Vertical dispersion	-	-	60°	60°	-	-
High frequency attenuation switch	-	-	6dB	4dB	-	-
Dimensions (without accessories) mm	276x360x280	478x360x332	218x645x272	282x670x310	548x467x355 mm	696x590x474
Weight	7.62kg	13.90kg	12.50kg	14,45kg	21,85 kg	45,35kg



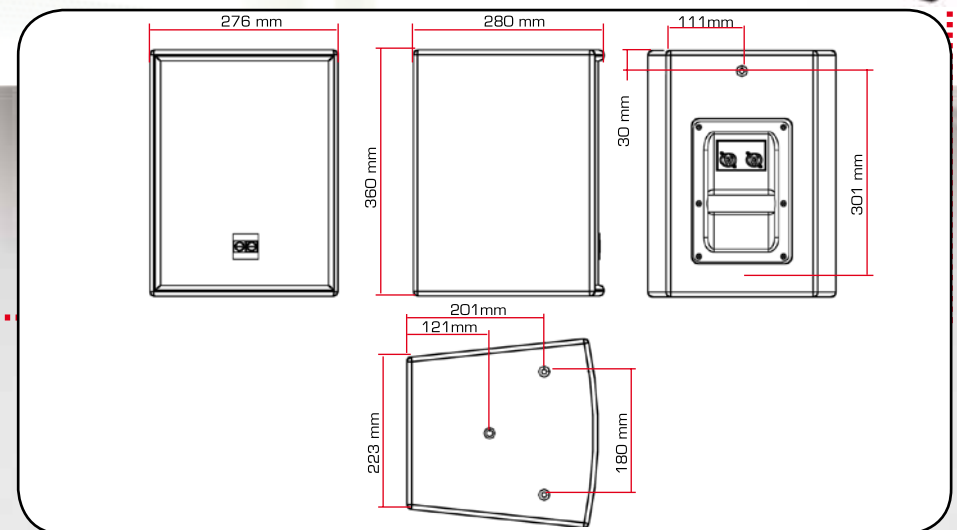
DACORDT108

Ultra compact, high-performance speaker for sound in dance clubs, theme restaurants, cafés, businesses, etc.

- Compact full-range two-way loudspeaker
- 150 W RMS/8 ohms – 300 W programme
- Efficiency: 93 dB SPL 1 W/1 m
- 8" polypropylene woofer, 52 mm coil
- 1" tweeter
- 7.62 kg
- Frequency response (-3 dB): 78 Hz – 22 kHz
- Dimensions (mm): 276x360x280
- 6xM8 hanging points

DACORDT108 Accessories

- **SR10**: adjustable wall anchor (225x150mm). Wall plate: 85x150 mm, four 6 mm holes.



DACORDi series

DACORDT108, DACORDT208i,
DACORDH206i,
DACORDH208i, SB208, SB212

loudspeaker cabinets



DACORDT208i

Ultra compact, high-performance speaker for sound in audiovisual rooms, theme restaurants, cafés, businesses and mobile applications.

- Full-range two-way loudspeaker
- 300 W RMS/8 ohms – 600 W programme
- Efficiency: 96 dB SPL 1 W/1 m
- Double 8" polypropylene woofer, 52 mm coil
- Double 1" tweeter
- 13.90 kg
- Frequency response [-3 dB]: 70 Hz – 18 kHz
- Dimensions (mm): 478x360x332
- 6xM8 hanging points, 35 mm stand



SRDABK

SR12



TRIP01

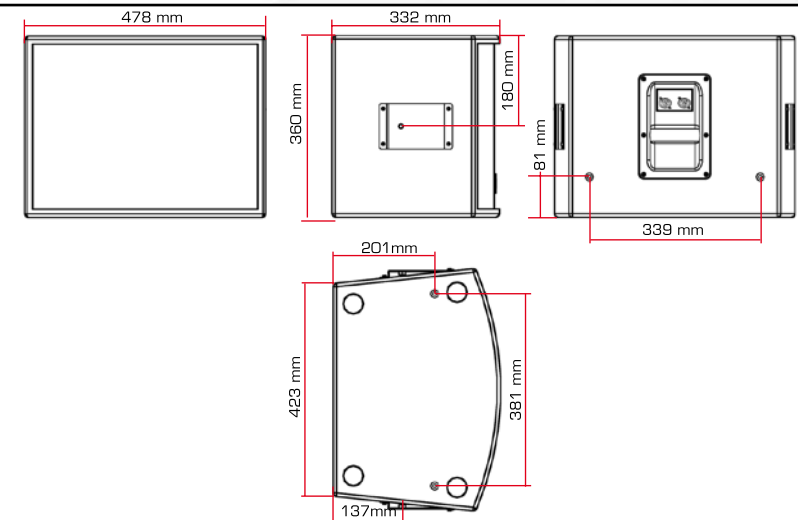


DACORDT208i

Product

DACORDT208i Accessories

- **TRIP01**: 35 mm adjustable tripod
- **SR12**: 35 mm adjustable wall anchor (250x120 mm). 250x140 mm wall plate, four 10 mm holes.
- **SRDABK/WH**: accessory for simple ceiling installation. Facilitates direction of the speaker



loudspeaker cabinets

DACORDi series

DACORDT108, DACORDT208i,
DACORDH206i,
DACORDH208i, SB208, SB212



DACORDH206i



DACORDH206i

Designed to provide high levels of sound pressure in a compact, light-weight, easy-to-integrate design concept. Additional versatility: its Presence switch allows for rapid adjustment of high frequencies for optimum response for any situation or use.

- Compact full-range two-way loudspeaker
- 220 W RMS/8 ohms – 440 W programme
- Efficiency: 95 dB SPL 1 W/1 m
- Double 6.5" woofer, 49.5 mm coil
- Exclusive 1" compression motor
- 90°x60° adjustable horn
- Presence switch for adjusting high frequencies
- 12.5 kg
- Frequency response (-3 dB): 76 Hz – 19.5 kHz
- Dimensions (mm): 218x645x272
- 6xM8 hanging points

Ideal for low-ceiling applications. The DACORDSB208 increases its response in low frequencies and dual amplified applications.

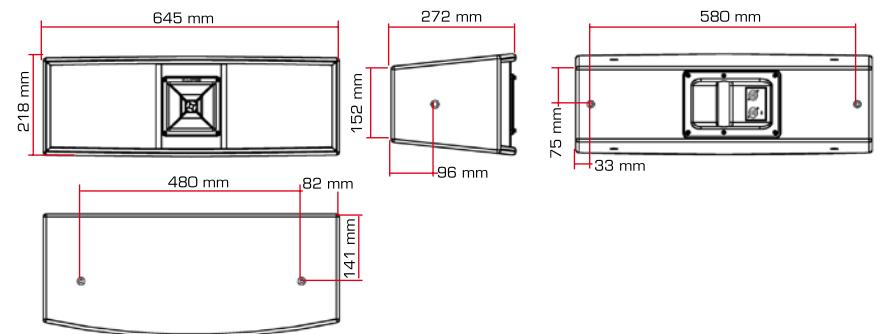


SRDABK

SR10

DACORDH206i Accessories

- **SR10**: adjustable wall anchor (225x150 mm). 85x150 mm wall plate, four 6 mm holes.
- **SRDABK/WH**: accessory for simple ceiling installation. Facilitates direction of the speaker



DACORDi series

DACORDT108, DACORDT208i,
DACORDH206i,
DACORDH208i, SB208, SB212

loudspeaker cabinets

DACORDH208i

Designed to provide high levels of sound pressure in a compact, lightweight, non-obtrusive design concept. Additional versatility: its Presence switch allows for rapid adjustment of high frequencies for optimum response for any situation.

- Full-range two-way loudspeaker
- 300 W RMS/8 ohms – 600 W programme
- Efficiency: 96 dB SPL 1 W/1 m
- Double 8" polypropylene woofer, 52 mm coil
- Exclusive 1" compression motor
- 90°x60° adjustable horn
- Presence switch for adjusting high frequencies
- 14.45 kg
- Frequency response (-3 dB): 70 Hz– 19.5 kHz
- Dimensions (mm): 282x670x310
- 6xM8 hanging points

Especially intended for vocal reproduction. The DACORDSB208 increases its response in low frequencies and dual amplified applications.



SRDABK

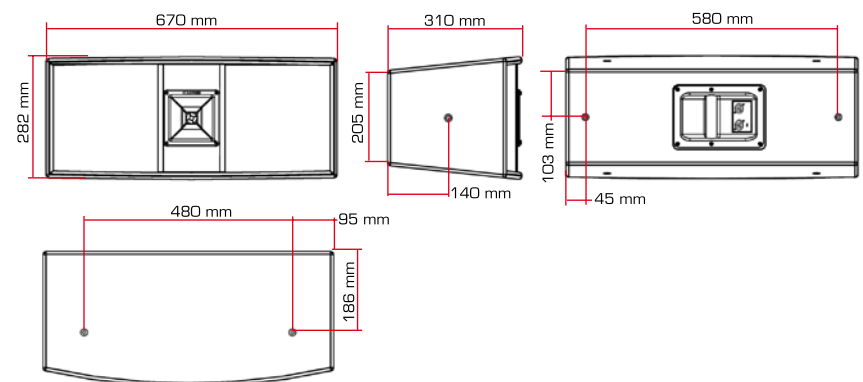
DACORDH208i Accessories

- **SRDABK/WH**: accessory for simple ceiling installation. Facilitates direction of the speaker



DACORDH208i

Product



loudspeaker cabinets

DACORDi series

DACORDT108, DACORDT208i,
DACORDH206i,
DACORDH208i, SB208, SB212

DACORDSB208

Following the steps of the new SB212, the SB208 is a very compact size and high efficiency subwoofer, ideal for the reinforcement of the DACORD and AUDEO series.

Key features

- 3 chamber dual 6th order bandpass cabinet
- Ways: 1
- Double 8" woofer
- 300 W RMS @ 4 ohms (600 W program)
- Low pass filter tuned at 120 Hz, 12 dB / octave
- Efficiency SPL 1 W / 1 m: 93.5 dB
- Max SPL 1 m: 122.5 dB
- Frequency response at -10 dB: 40Hz to 200Hz
- Flying points available in top and bottom faces (logo can rotate 180°)
- Dimensions (without accessories): 548 x 467 x 355 mm
- Weight: 21.85 kg



DACORDSB208

DACORDSB212

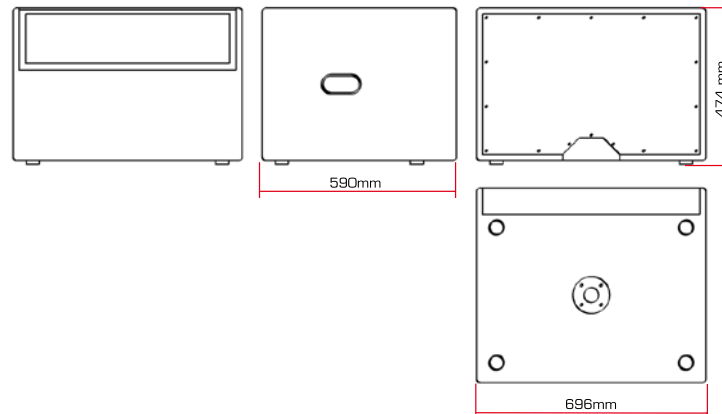
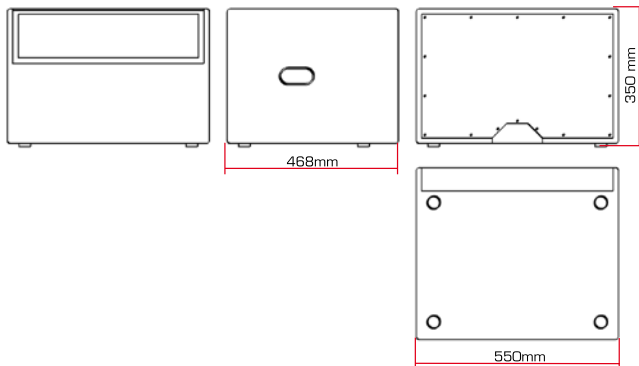
With a focus based on permanent contact and follow-up with installers and interior design and system integration professionals, the DACORD line of speakers is intended for fixed installation, especially in environments requiring a compact, high-performance, easy-to-install loudspeaker with excellent sound quality. This subwoofer was specially designed to complement the other speakers in the DACORD/DACORDi and VERSO series. It was manufactured using high-quality 18 mm plywood. It includes two 12" woofers with a ceramic magnet and a 75 mm coil.

Key features

- Three-chamber speaker box, 6th order bass filter
- Ways: 1
- Nominal impedance: 4Ω
- RMS power: 700 W
- Programme power: 1400 W
- SPL performance 1 W / 1 m: 98 dB
- SPL maximum 1 m: 126 dB
- Frequency response at -10 dB: 40 Hz to 300 Hz
- Dimensions (without accessories): 696 x 590 x 474 mm
- Weight: 45.35 kg



DACORDSB212



Recommended amplification

- DT, DPA and NPA series

Applications

- Reinforcing DACORDi and AUDEO series

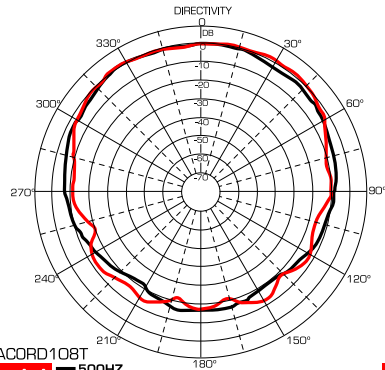
DACORD series

Polar Plots
Frequency Response

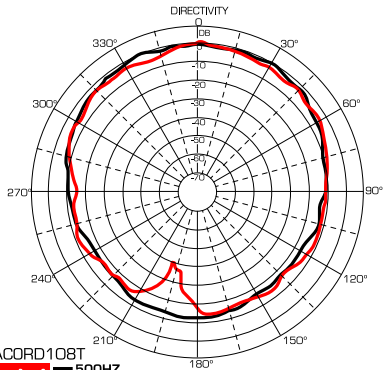
loudspeaker cabinets

POLAR PLOTS

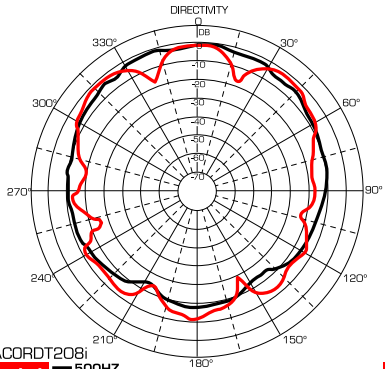
FREQUENCY RESPONSE



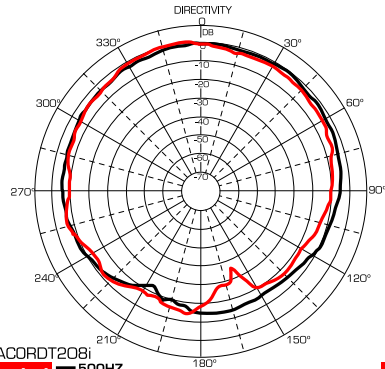
DACORD10BT
H — 500HZ
— 2000HZ



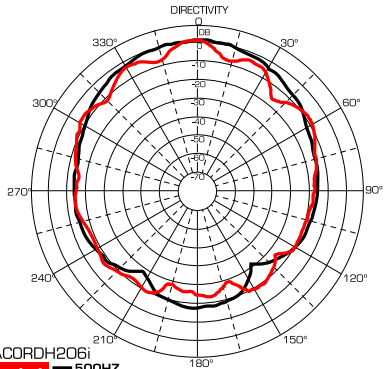
DACORD10BT
V — 500HZ
— 2000HZ



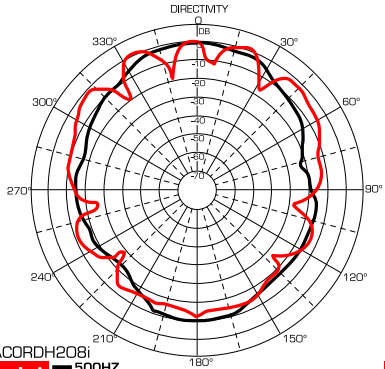
DACORDT208i
H — 500HZ
— 2000HZ



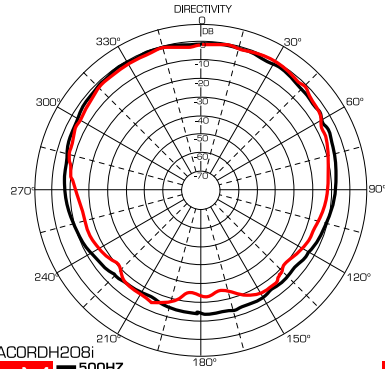
DACORDT208i
V — 500HZ
— 2000HZ



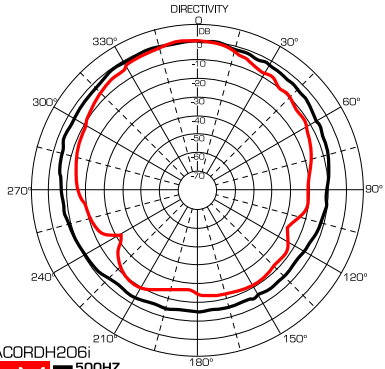
DACORDH206i
H — 500HZ
— 2000HZ



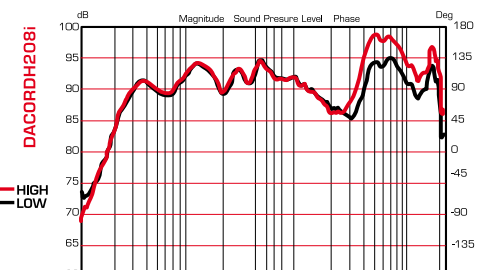
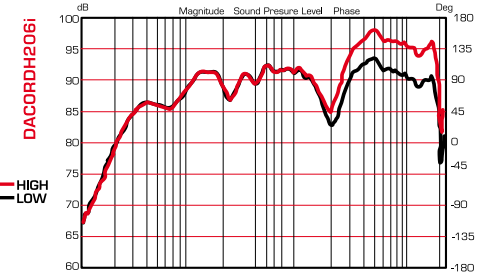
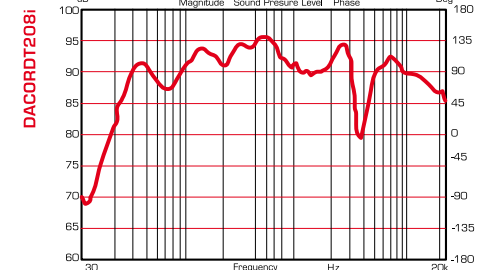
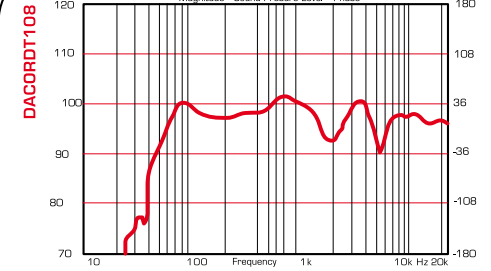
DACORDH208i
H — 500HZ
— 2000HZ



DACORDH208i
V — 500HZ
— 2000HZ



DACORDH206i
V — 500HZ
— 2000HZ



Product

All product characteristics are subject to variation due to production tolerances. ECLER, S.A. reserves the right to make changes or improvements in the design or manufacturing that may affect these product specifications.
Motors, 166-168 08038 Barcelona - Spain - Domestic sales / Ventas España (+34) 902221400 Export sales / Ventas Export (+34) 902331400 General calls (+34) 932238403 Fax (+34) 932238404 www.ecler.com

wecler
Sound experience
Barcelona 1965

