

## loudspeaker cabinets

### AMBIT series

AMBIT03, AMBIT06,  
AMBIT5B10

AMBIT range is more than just a line of acoustic cabinets for sound reinforcement. AMBIT is the outcome of a study on the present and immediate future needs with respect to background and foreground pro audio applications.

Conceived to integrate into any décor and to provide superb audio quality under a versatile basis.

#### Key features

- ABS architectural reinforced cabinets range
- Built-in audio transformer for 100V applications
- 8 ohms /100V operation selector
- All models include on-wall hardware, safety sling, screws and wrench for fast installation
- Available in black and white colours to match any décor
- Spring loaded input terminals
- IP rated for weatherproof installations
- Anti UV cabinet avoids colour degradation in case of direct sunlight exposition

#### Best choice of amplifiers and processors

- MPA-R /NZA multichannel amplifiers range are specially suitable for low impedance multizone applications
- ENVIRO system for 100V PA applications

#### Applications

- Shopping centres
- Retail shops
- PA distributed sound systems
- Clubs, Cafes, Bars foreground/background reinforcement
- Tourist temporary outdoor installations



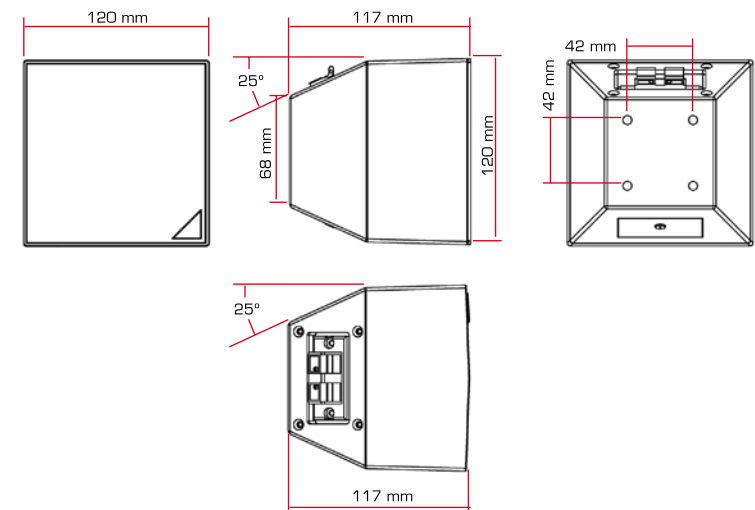
AMBIT03

Ultra compact 2 way coaxial loudspeaker cabinet for non obtrusive applications. Specially suitable for background reinforcement in thematic restaurants, cafés, retail premises and licensed venues.

- way full range ultra compact loudspeaker cabinet
- Built-in audio transformer for 100V applications
- 25 W RMS/8 ohms
- Power selector (100V): 15,7.5,5,2.5 W
- 3.5" polypropylene woofer ensure stability against heat and humidity
- 13mm soft dome coaxial tweeter
- 13 mm soft dome coaxial tweeter
- Included bracket for on-wall installation
- IP54 rated
- Efficiency 87 dB SPL 1W/1m
- Freq response (-3dB) 150Hz - 20kHz
- Dimensions (mm) 120x120x117
- 1.275 Kg

#### Accessories AMBIT103

- **MP103AMB2, MP103AMB4** for 2 or 4 units cluster configuration.
- Available in black. See dedicated product pages for further information.



## AMBIT series

AMBIT103, AMBIT106,  
AMBIT5B110

loudspeaker cabinets



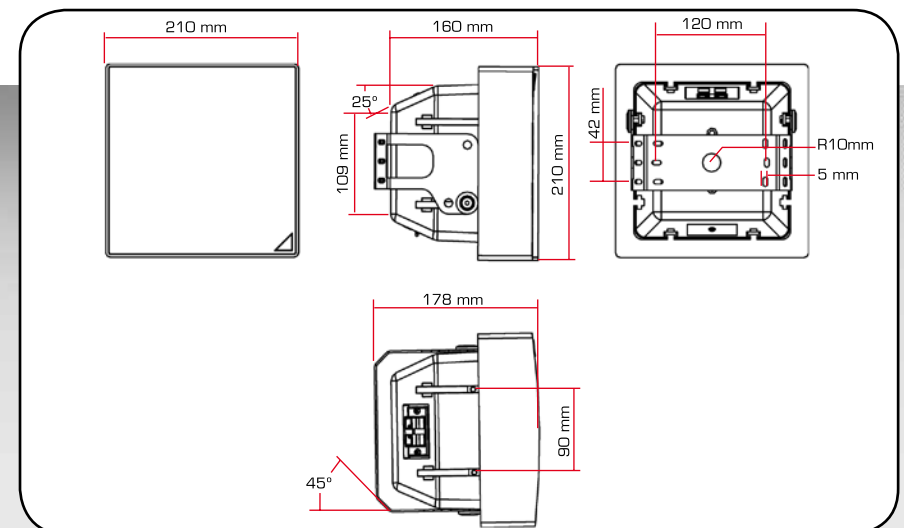
### AMBIT106

Compact 2 way coaxial loudspeaker cabinet for non obtrusive applications. Specially suitable for background or foreground reinforcement in thematic restaurants, cafés, retail premises and licensed venues.

- 2 way full range compact loudspeaker cabinet
- Built-in audio transformer for 100V applications
- 50 W RMS/8 ohms
- Power selector (100V): 30,15,7.5,2.5 W
- 6.5" polypropylene woofer ensure stability against heat and humidity
- 25 mm soft dome coaxial tweeter
- Included U-bracket for on-wall installation
- IP54 rated
- Efficiency 93 dB SPL 1W/1m
- Freq response (-3dB) 110Hz – 20kHz
- Dimensions (mm) 210x210x160
- 2.75 Kg



Product



### Accessories AMBIT106

- **MP106AMB2/WH, MP106AMB3/WH, MP106AMB4/WH:** for 2,3 or 4 units cluster configuration. Available in black and white colours
- **SR6/WH:** on wall bracket MP106AMB2 cluster. Available in black and white colours. See dedicated product pages for further information.

## AMBIT series

AMBIT03, AMBIT06,  
AMBITSB110

loudspeaker cabinets

AMBITSB110



IP Rating ensures  
AMBIT03 and  
AMBIT06  
to be used in  
applications where a  
weatherproof cabinet  
is required



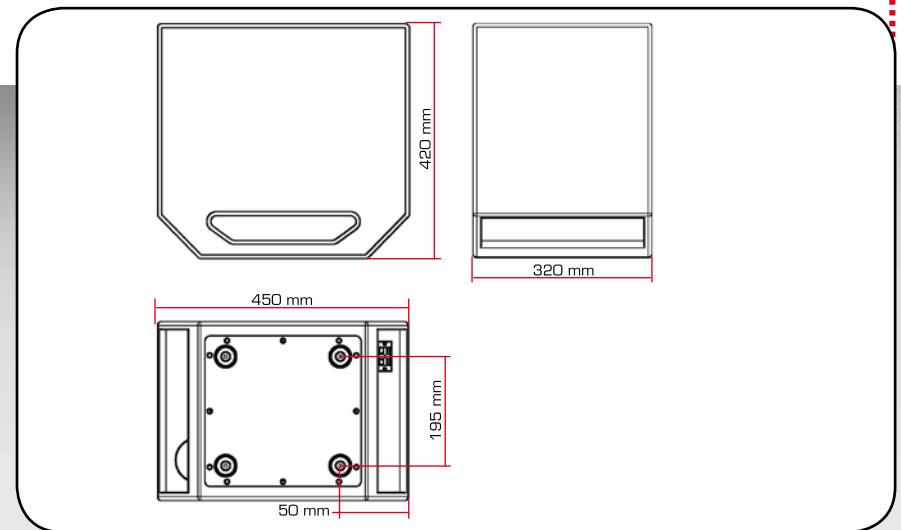
### AMBITSB110

10" direct radiating bass reflex subwoofer. Compact profile surface mounting cabinet.

- 200W RMS/8ohms – 400 W program
- Internal x-over 150Hz, 12 dB/oct
- Efficiency dB SPL 1W/1m
- Single 10" woofer
- Efficiency 92 dB SPL 1W/1m
- Freq response (-3dB) 78Hz – 200Hz
- Dimensions (mm) 450x420x320
- 15.7 Kg

#### Tech. Characteristics

	AMBIT03	AMBIT06	AMBITSB110
Ways	2	2	1
Nominal low impedance	8Ω	8Ω	8Ω
Max RMS power	25W	50W	200W
Program power	50W	100W	400W
Nominal high impedance	100V LINE	100V LINE	-
Power selector	2,5/5/7,5/15W	5/7,5/15/30W	-
Efficiency SPL 1W 1m	87 dB	93 dB	92dB
Frequency response at -3dB @ 8Ω	150Hz ÷ 20kHz	110Hz ÷ 20kHz	78Hz ÷ 320Hz
Dimensions WxHxD (without accessories)	120x120x117mm	210x210x160mm	450x320x420mm
Weight	1,275 Kg	2,75 Kg	15,7Kg



# AMBIT accessories

MPIO3AMB2, MPIO3AMB4,  
MPIO6AMB2, MPIO6AMB3,  
MPIO6AMB4

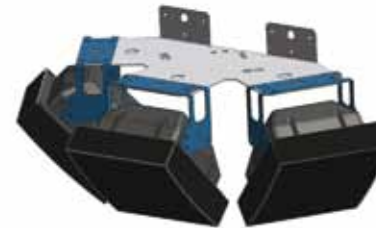
## loudspeaker cabinets

All measurements in mm.



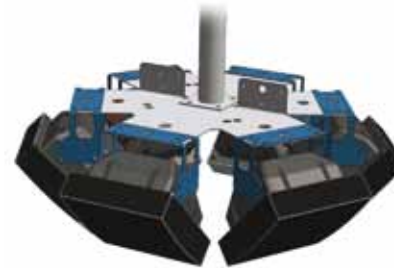
### MPIO3AMB2

Hardware for 2 AMBIT103.  
Available in black



### MPIO6AMB3/WH

Hardware for 3/6 AMBIT106.  
Available in black and white



### MPIO6AMB4/WH

Hardware for 4 AMBIT106.  
Available in black and white



### SR6 ON WALL

Hardware for AMBIT108 and MP106AMB2.  
Available in black and white



#### Mechanical Characteristics SR6

Length	161mm
Max. width	100mm
Max. height	100mm
Pan	170°
Tilt	180°
Wall hole diameter	6mm
Distance between holes for speaker attachment	60mm



### MPIO3AMB4

Hardware for 4 AMBIT103.  
Available in black



### MPIO6AMB2/WH

Hardware for 2 AMBIT106.  
Available in black and white

Product