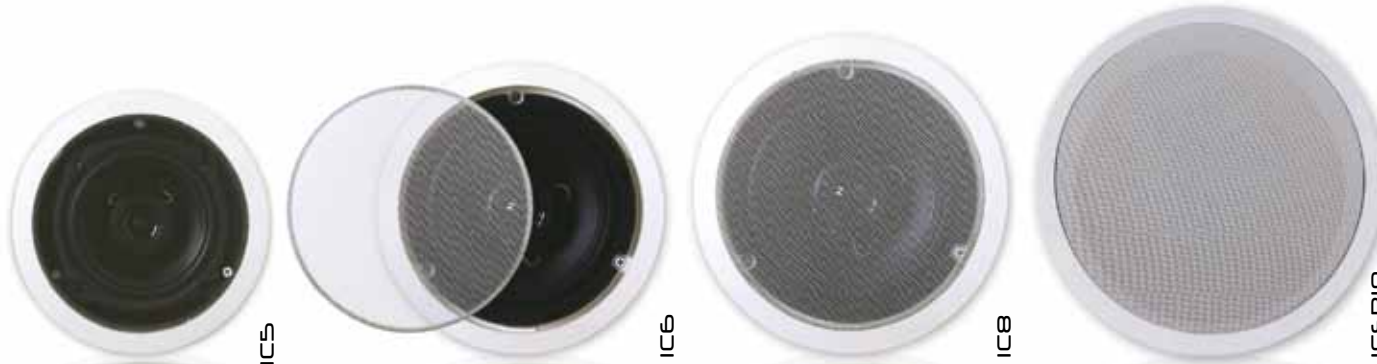


in-ceiling / in-wall speakers

IC series

IC5, IC6, IC8, ICSB10
in-ceiling range



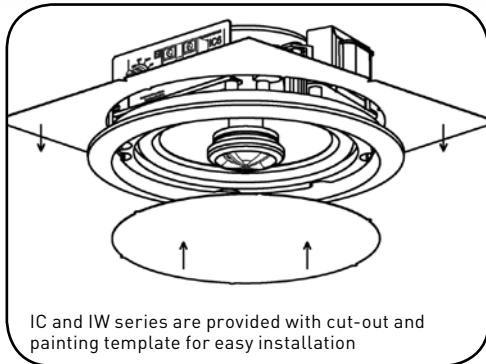
With their discreet design, this line of in-ceiling (IC) and in-wall (IW) speakers is the perfect option for 100 V and low impedance sound solutions. Both series provide excellent sound quality thanks to their infinite baffle philosophy and a top-performance high frequency transducer.

Key features of the IC series

- Two-way (except for the ICSB10) ABS speakers, infinite baffle configuration
- Built-in audio transformer for 100 V use
- Polypropylene woofer that resists heat and humidity
- Front grille may be removed for painting
- Clip-type input terminals
- Cutting and painting templates included
- Support system with 3 rotating tabs
- ICSB10: Included metallic accessories to reinforce installations in standard dropped ceilings

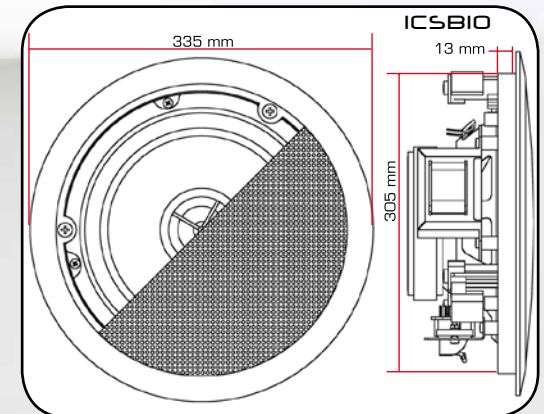
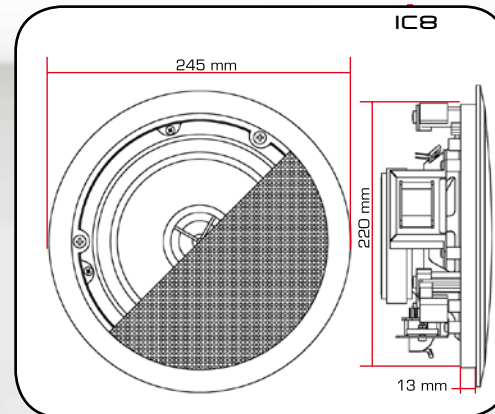
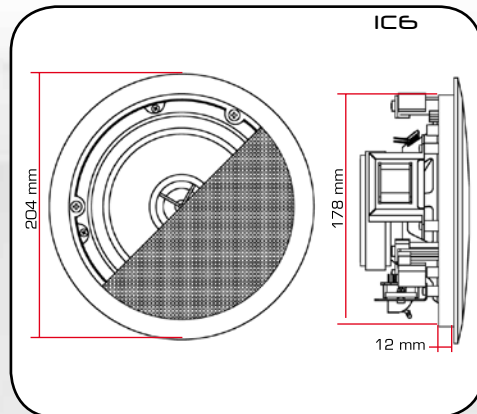
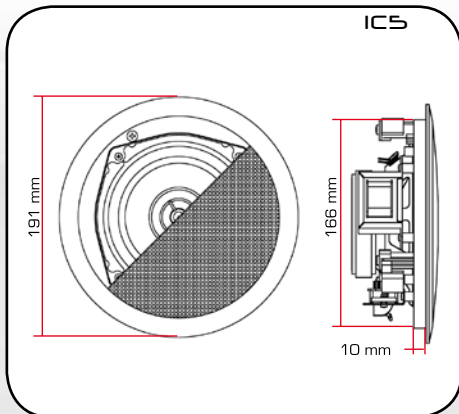
ICSB 10

The IC SB10 is the perfect partner for consistent "invisible" bass amplification in installations involving ceiling speakers. Powerful, discreet and easy to install with a simple rotating tab system, this 10" sub-bass has a power of 100 W RMS and a very high acoustic performance. The front grille and frame can be painted to blend in better with the decoration environment. Each IC SB10 unit comes with a set of accessories that make it easy to install it in standard lowered ceiling grids, providing the installation all that much more solid and reliable.



Best choice of amplifiers

- MPA-R/NZA multi-channel amplifiers line (high or low impedance): allows for mixed installations using some channels for IC 5, 6 or 8 speakers and some others for the IC SB10 unit(s)
- Ampack 80 and 25 / Ampack 2-70 and 4-70 (allows for mixed installations as above)
- Enviro modular system (100 V line)
- HZA multichannel 100 V line series
- AMI series



IW series

IW6
in-wall loudspeakers

in-ceiling / in-wall speakers

IW6

The IW6 is the perfect option for PA and background music systems requiring in-wall or in-ceiling installation.

Key features of the IW6

- Two-way ABS in-wall speaker, infinite baffle configuration
- Built-in audio transformer for 100 V / 8 ohm applications
- Polypropylene woofer that resists heat and humidity
- Front grille may be removed for easy painting
- Red / black clip-type input terminals
- Cutting and painting templates included
- Support system with 6 rotating tabs

Best choice of amplifiers

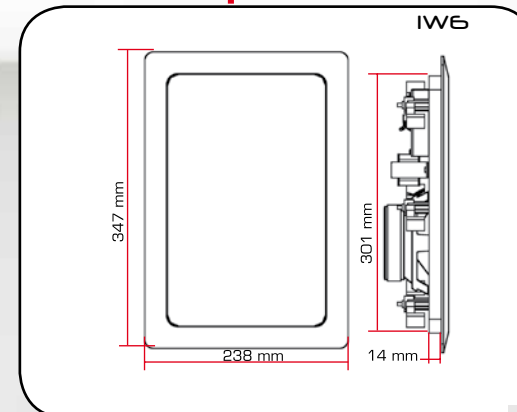
- MPA-R /NZA multi-channel amplifiers line (high or low impedance)
- Ampack 80 and 25 / Ampack 2-70 and 4-70
- Enviro modular system (100 V line)
- HZA multichannel 100 V line series
- AMI series

IW6



Product

Tech. Characteristics	IC5	IC6	IC8	ICSBIO	IW6
Nominal low impedance	8Ω	8Ω	8Ω	8Ω	8Ω
RMS power	25W	40W	60W	100W	40W
Nominal high impedance	100V LINE	100V LINE	100V LINE	100V LINE	100V LINE
Power selector	1.5, 3, 6, 12W	2.5, 5, 7.5, 15W	5, 7.5, 15, 30W	7.5, 15, 30, 60W	2.5, 5, 7.5, 15W
Frequency response (-6dB)	80Hz - 20kHz	70Hz - 20kHz	55Hz - 20kHz	-	70Hz - 20kHz
without LP filter (-10dB)	-	-	-	75Hz - 750Hz	-
LP passive filter cut off frequency	-	-	-	150Hz	-
Sensitivity 1W/1m (Filter off)	88dB	90dB	91dB	93dB	87dB
(Filter on, 80-200Hz)	-	-	-	91dB	-
External diameter	191mm	204mm	245mm	335mm	-
Internal diameter	166mm	178mm	220mm	305mm	-
Recommended cut out diameter	168mm	180mm	222mm	307mm	-
Dimensions of the hole for installation	-	-	-	-	193x302mm
Required depth	70mm	73mm	91mm	126mm	68mm
Weight	1,2kg	1,52kg	2,3kg	5,3kg	2,1kg



All product characteristics are subject to variation due to production tolerances. ECLER, S.A. reserves the right to make changes or improvements in the design or manufacturing that may affect these product specifications.
Motors, 166-168 08038 Barcelona - Spain - Domestic sales / Ventas España (+34) 902221400 Export sales / Ventas Export (+34) 902331400 General calls (+34) 932238403 Fax (+34) 932238404 www.ecler.com

wecler
Sound experience
Barcelona 1965

